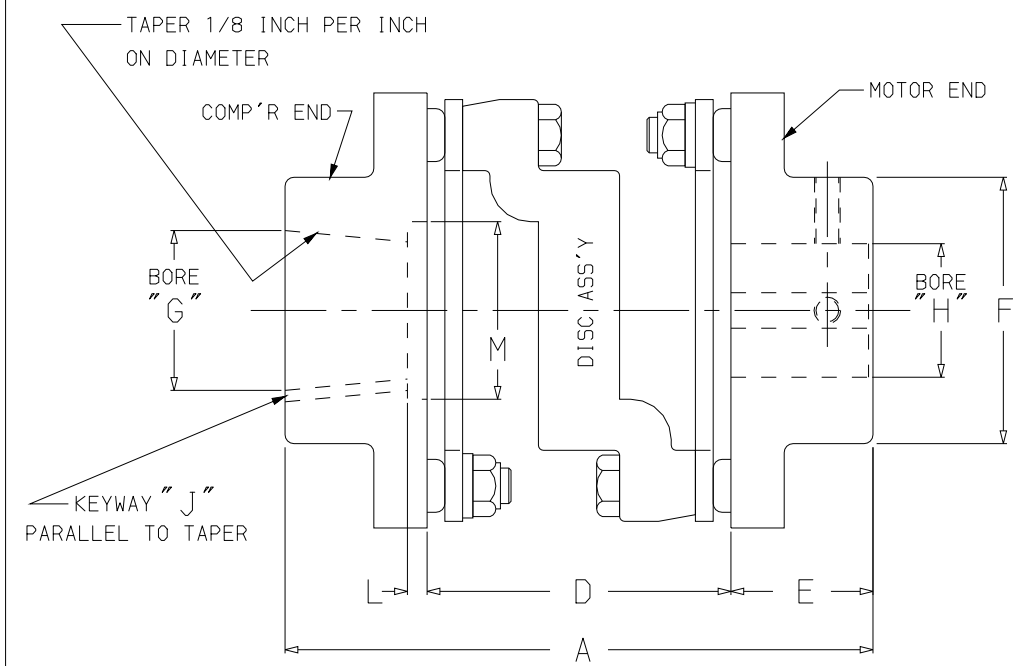


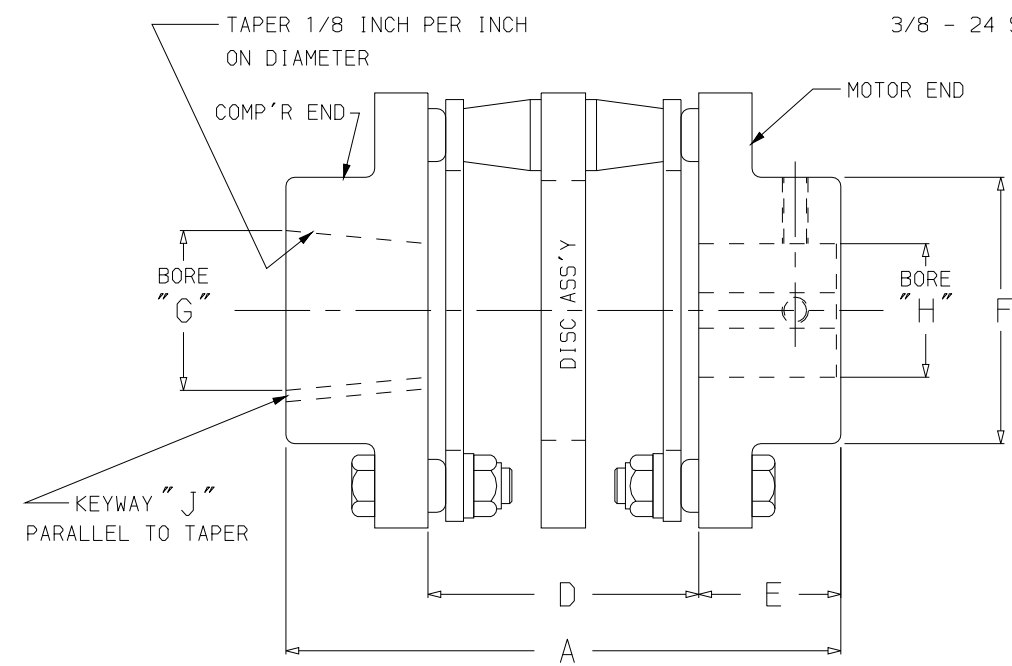


FITS 5F20, 30, 40 & 60 COMPRESSORS	PART NUMBER	A	B	D	E	F	BORE "G"		BORE "H"		J	K	L	M	N	P	RATED H.P. AT R.P.M.			NET WGT. LBS.	MOTOR SHAFT SIZE	N.E.M.A. FRAMES
							MIN.	MAX.	MIN.	MAX.							1750	1450	1150			
							5F20-847	5 15/16	4 9/16	2 7/16							1 3/4	2 3/4	.990			
5F30-847								1.625	1.6255		3/8 X 3/16					17.5	14.5	11.5		1 5/8		
5F40-603								1.452	1.453	1/4 X 1/8	5/16 X 5/32	-	-	-	-	11.5	9.5	7.5		1 3/8	213T, 215T	
5F40-623								1.625	1.6255		3/8 X 3/16	-	-	-	-	17.5	14.5	11.5		1 5/8	254T	
5F60-613	6 15/16	5 11/32	2 15/16	2	3 9/32	1.484	1.485	1.875	1.8755		1/2 X 1/4	-	-	-	-	34.5	28.6	22.6	16	1 7/8	284T, 286T	
5F60-623								1.625	1.6255		3/8 X 3/16	-	-	-	-	30	24.8	19.7	21	1 5/8	256T	
5H40-613							1.890	1.891		7/16 X 7/32		-	-	-	-	34.5	28.6	22.6	16		256T	
5H40-623								1.875	1.8755		1/2 X 1/4	-	-	-	-					1 7/8	284T, 286T, 365TS	
5H60-613		5 7/16										-	-	-	-	65	53.5	42.5			324TS, 326TS, 364TS	
5H60-623								2.125	2.1255			-	-	-	-					2 1/8	364TS	
5H80-613	7 13/16	6 1/8	3 13/16		3 25/32			2.375	2.3755		5/8 X 5/16	-	-	-	-	86	71.3	56.5	30	2 3/8		
5H80-663								1.875	1.8755		1/2 X 1/4	-	-	-	-					1 7/8	365TS	
5H80-827	9 5/16	7 1/8	4 5/16	3	4 7/16			2.125	2.1255			-	-	-	-	125	-	-		2 1/8		
5H120-827								2.375	2.3755		5/8 X 5/16	-	-	-	-					2 3/8		
5H120-623	8 11/16	6 7/8	3 1/2	2 7/8	4 1/2			2.125	2.1255		1/2 X 1/4	5/16	2.750	-	-	150	124	100		2 1/8	404TS, 405TS	
5H126-623	9 13/16	8 1/8	4 1/8	3 3/8	5 7/8			2.375	2.3755		5/8 X 5/16			-	-	200	-	-		2 3/8	444TS, 445TS	

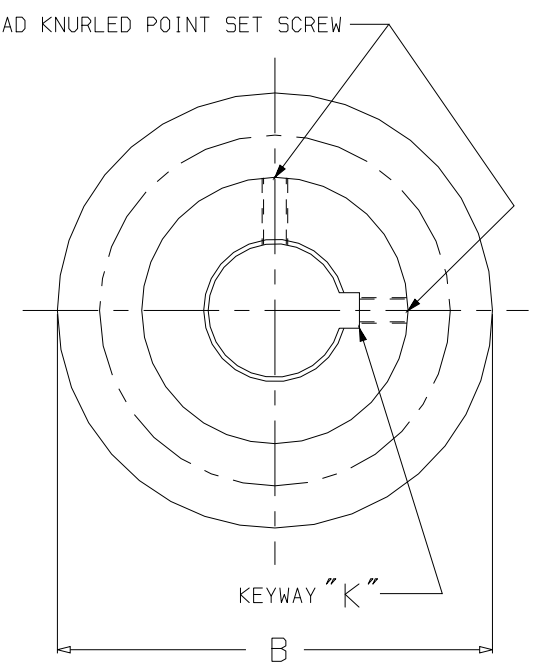
JOB NAME \_\_\_\_\_  
 JOB LOCATION \_\_\_\_\_  
 BUYER \_\_\_\_\_  
 BUYER NO. \_\_\_\_\_  
 DIMENSIONS CERTIFIED BY \_\_\_\_\_  
 CARRIER NO. \_\_\_\_\_  
 DATE \_\_\_\_\_



USE FOR 5H120-623 & 5H126-623 ONLY



USE FOR COMPRESSOR END ON 5F20-847 & 5F30-847 ONLY



NOTE:  
 WRENCHES FOR ASSEMBLING COUPLING INCLUDED WITH EACH COUPLING

DATE 7-14-86

SUPERSEDES SF-511, REV. D DATED 8-30-76

FLEXIBLE COUPLING FOR SIZES 5F20 THROUGH 5H126

SHT 1 OF 1

SF-511

REV. E