

INSTRUCTIONS



99TA516148 (for RCD use only)

Instruction Sheet Number: 99TA516148

Description: Economizer Flange Kit (Paragon Compressors TS, TT, TU, TV) Rev1

Author: C.J.D.

Date: April 10, 2014

Part Number: 6BTA000309 & 6BTA000310

THIS PACKAGE HAS BEEN DESIGNED TO WORK WITH PARAGON COMPRESSOR MODELS 06TS, TT, TU AND TV.

KIT: 6BTA000309 (For 06TS137, 155, 186 and 06TT266, 301, 356 Compressor Models)

<u>QTY</u>	<u>ITEM</u>	<u>Part Number</u>
1	2-Hole Brass Flange, 1 3/8" ODS	DK24CA727
1	O-ring, 1.6" I.D., Neoprene	KK71EW223
2	Screw, Hex HD, M12 x 1.75, 35mm LG	AA06MS292
1	Economizer Screen, SST	8TB0676
1	Instruction Sheet	99TA516148

KIT: 6BTA000310 (For 06TU483, 554 and 06TV680,753,819 Compressor Models)

<u>QTY</u>	<u>ITEM</u>	<u>Part Number</u>
1	4-Hole Brass Flange, 1 5/8" ODS	DK16CB302
1	O-ring, 2.4" I.D., Neoprene	KK71EW229
4	Screw, Hex HD, M12 x 1.75, 35mm LG	AA06MS292
1	Economizer Screen, SST	2TU1563
1	Instruction Sheet	99TA516148

Each Economizer Kit contains the following Parts:

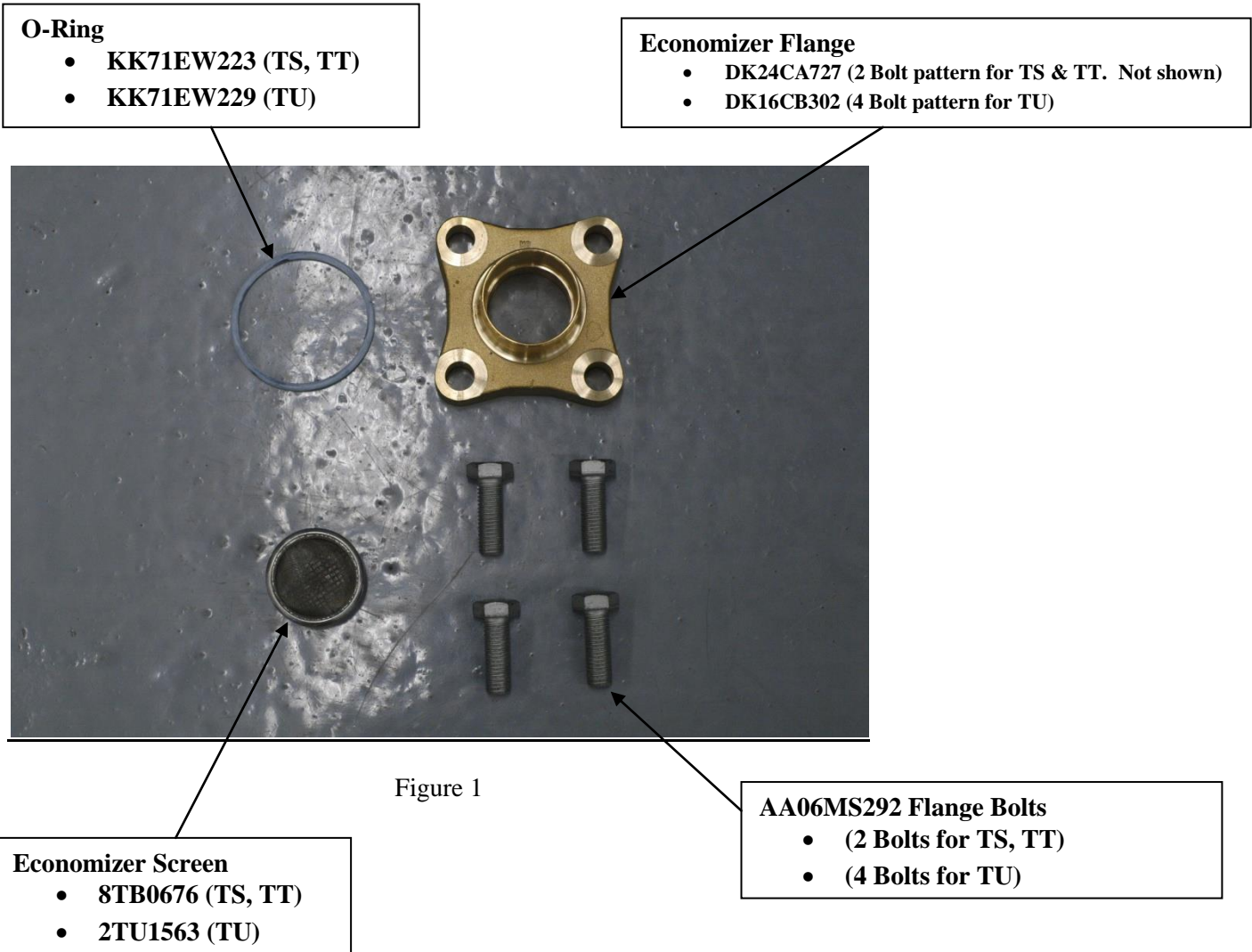


Figure 1

Economizer Installation Instructions:

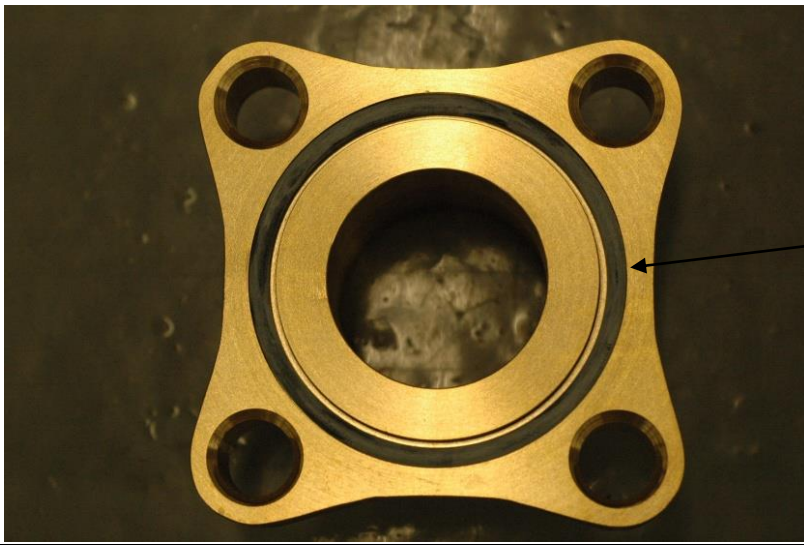
- **Follow recognized safety procedures and practices.**
- Do not remove any compressor fittings until factory-supplied holding charge has been relieved.
- Verify the content of the kit is complete and according to the pictorial shown in Figure 1 and parts are clean and free from damage.
- Follow all recommend torques to ensure proper assembly.

Installation for 2 or 4 bolt economizer flange (4 bolt economizer shown).

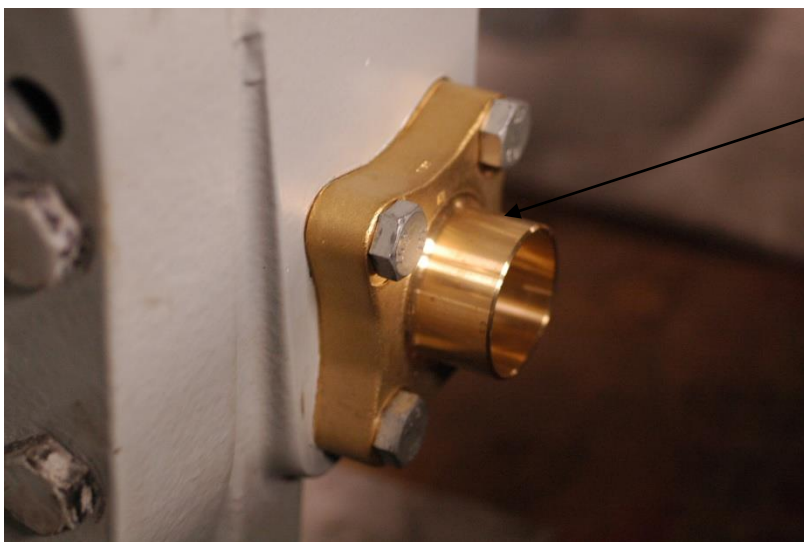


1.) Remove economizer blank-off plate. Verify economizer port surface is clean and free from debris.

2.) Install economizer screen. Verify orientation is as shown.



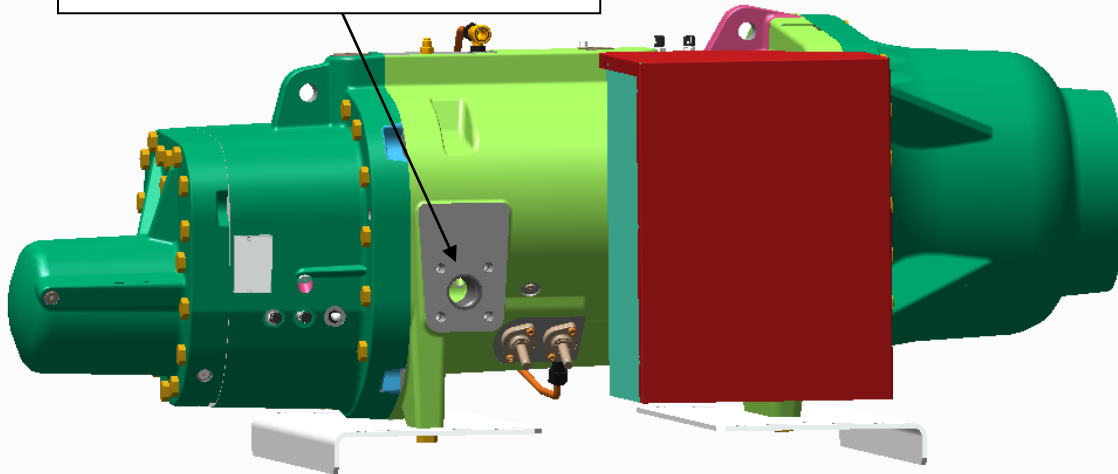
3.) After tubing has been brazed to the flange, install O-ring into economizer flange and lightly oil the O-ring. **Brazing with O-ring installed will damage the O-ring.**



4.) Install the economizer flange and evenly torque bolts to 90-110 ft-lbs.

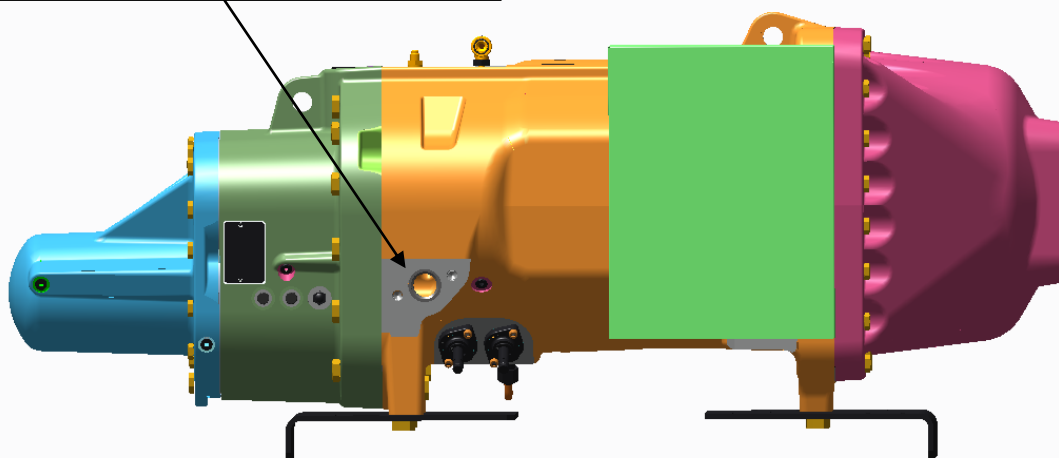
4 Bolt Economizer port mounting location (TU Models).

Torque bolts to 90-110 ft-lbs.



2 Bolt Economizer port mounting location (TT Models).

Torque bolts to 90-110 ft-lbs.



2 Bolt Economizer port mounting location (TS Models).

Torque bolts to 90-110 ft-lbs.

