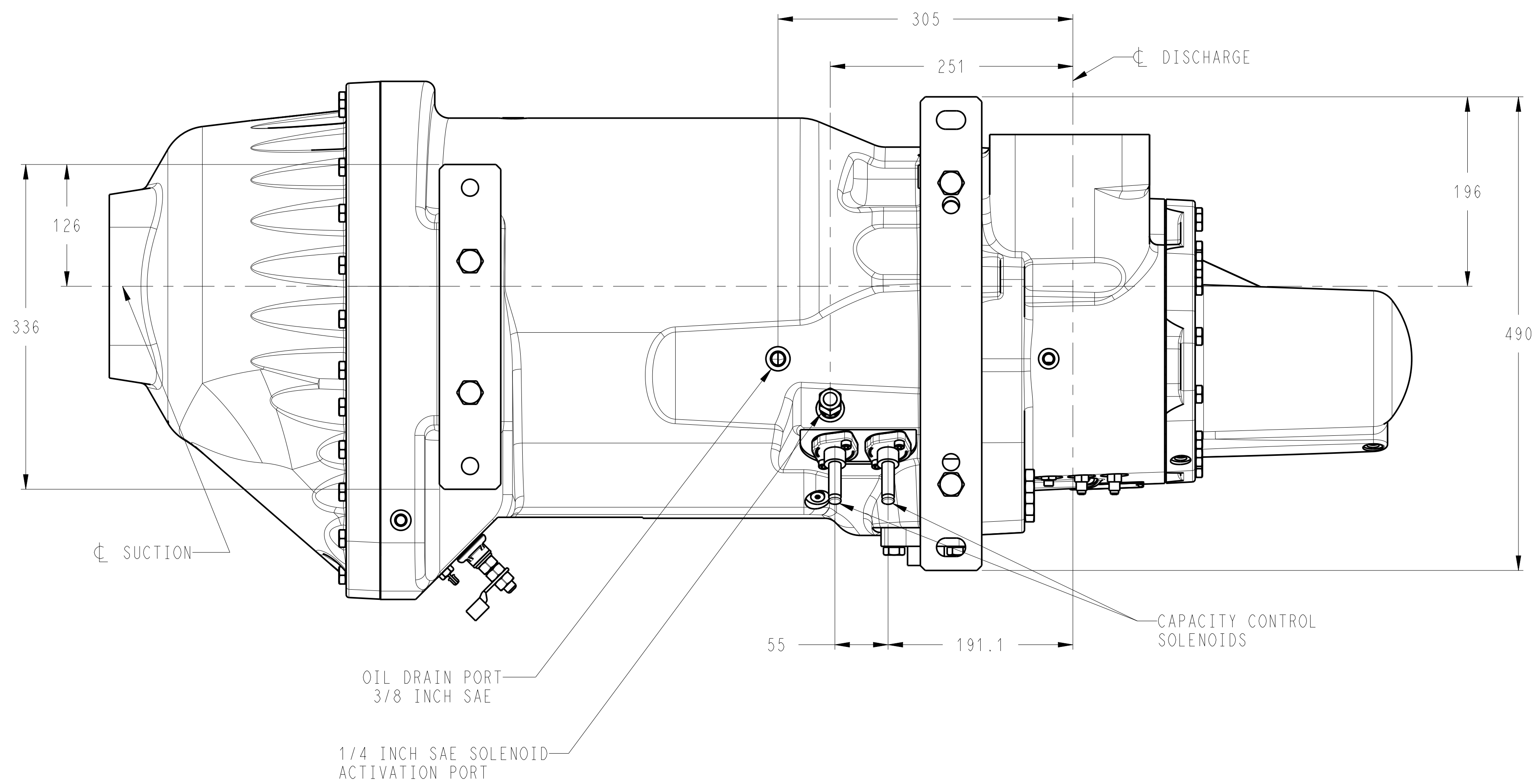
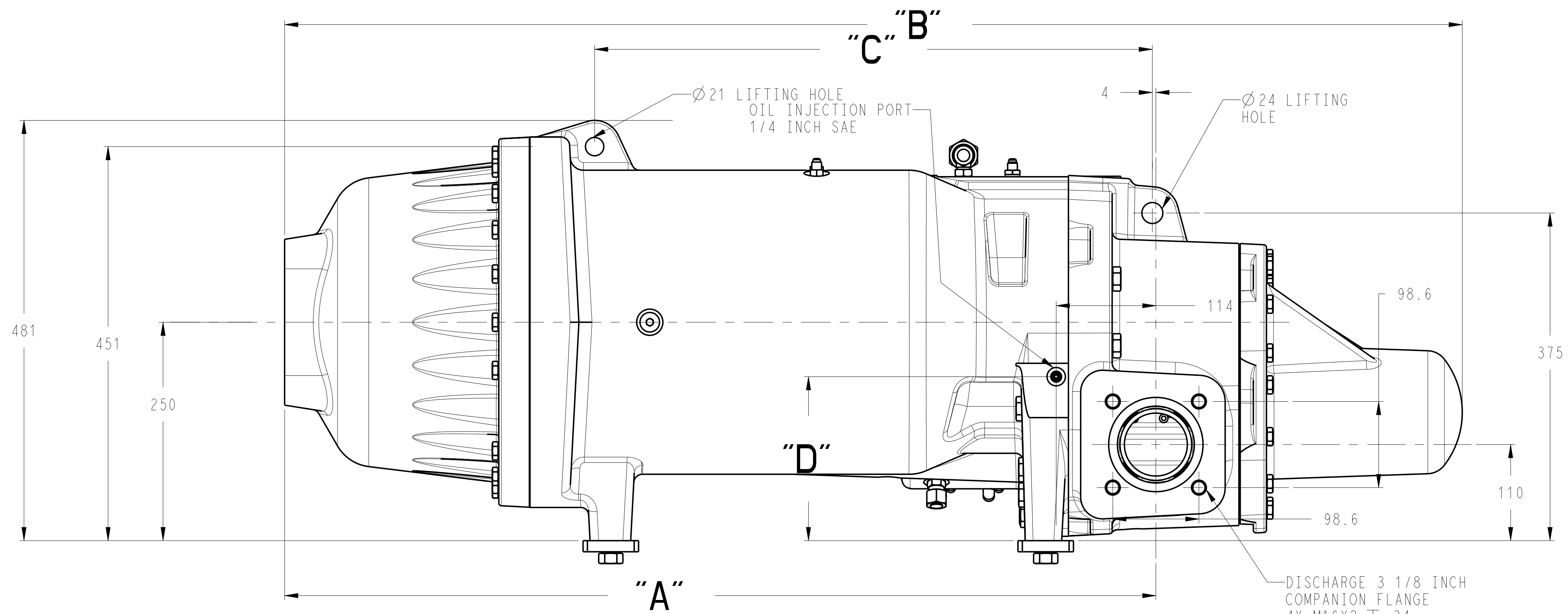


SUCTION 4 1/8 INCH
COMPANION FLANGE
4X M16X2 ∇ 39



MODEL NUMBER	"A"	"B"	"C"	"D"
06TT*266---D	926	1276	567	172.5
06TT*301---D	949	1299	590	176.8
06TT*356---D	997	1347	638	187.7

Ø21 LIFTING HOLE
OIL INJECTION PORT
1/4 INCH SAE

Ø24 LIFTING HOLE

DISCHARGE 3 1/8 INCH
COMPANION FLANGE
4X M16X2 ∇ 34

DISCHARGE

Ø SUCTION

OIL DRAIN PORT
3/8 INCH SAE

1/4 INCH SAE SOLENOID
ACTIVATION PORT

CAPACITY CONTROL
SOLENOIDS