

INSTRUCTIONS

Description: Paragon™ Control Module Kit (Compressor Models TS, TT, TU, TV)

Author: C.J.D.

Date: January 5, 2015

Part Number: KIT: 6BSB000929 & 6BSB000930

[See Carlyle Application Guide 575-012 for Controller functionality and installation](#)

KIT: 6BSB000929 (For 06TS137, 155, 186 , 06TT266, 301, 356, 06TU483, 554, and 06TV680, 753, 819 Compressor Models)

<u>ITEM</u>	<u>Part Number</u>	<u>QTY</u>
Paragon Control Module	2BSB000928	1
Discharge Temperature Sensor	00PPG000008105A	1
NTC Process Temperature Sensor	A1004MS24P1	1
Oil Flow Switch, .73 gpm set-point	8BSB000475	1
Reverse Rotation Module	P251-0030	1
24VAC Red Indicator Light	MFR# 20C845	1
24VAC Green Indicator Light	MFR# 20C843	1
Thermal Grease, .5oz tube	38AQ680001	1
Adhesive Fault Code Label	WP-001L	1
Adhesive Controller Part label	WP-002L	1

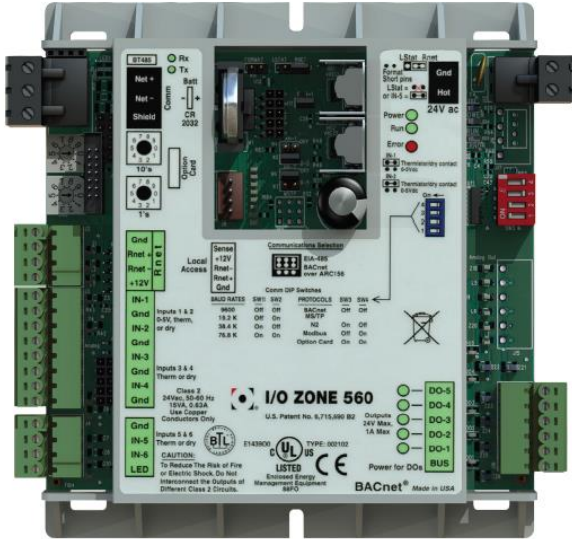
KIT: 6BSB000930 (For 06TSR137, 155, 186 , 06TTR266, 301, 356 Compressor Models)

<u>ITEM</u>	<u>Part Number</u>	<u>QTY</u>
Paragon Control Module	2BSB000928	1
Discharge Temperature Sensor	00PPG000008105A	1
NTC Process Temperature Sensor	A1004MS24P1	1
Oil Flow Switch, 3.0 gpm set-point	8BSB000605	1
Reverse Rotation Module	P251-0030	1
24VAC Red Indicator Light	MFR# 20C845	1
24VAC Green Indicator Light	MFR# 20C843	1
Thermal Grease, .5oz tube	38AQ680001	1
Adhesive Fault Code Label	WP-001L	1
Adhesive Controller P/N label	WP-002L	1

Each Compressor Protection Kit contains the following Parts:

Compressor Protection Module

P/N 2BSB000928



Flow Switch P/N 8BSB000475 or 8BSB000605



Discharge Temperature Sensor

P/N 00PPG000008105A



Reverse Rotation Module

P/N P251-0030



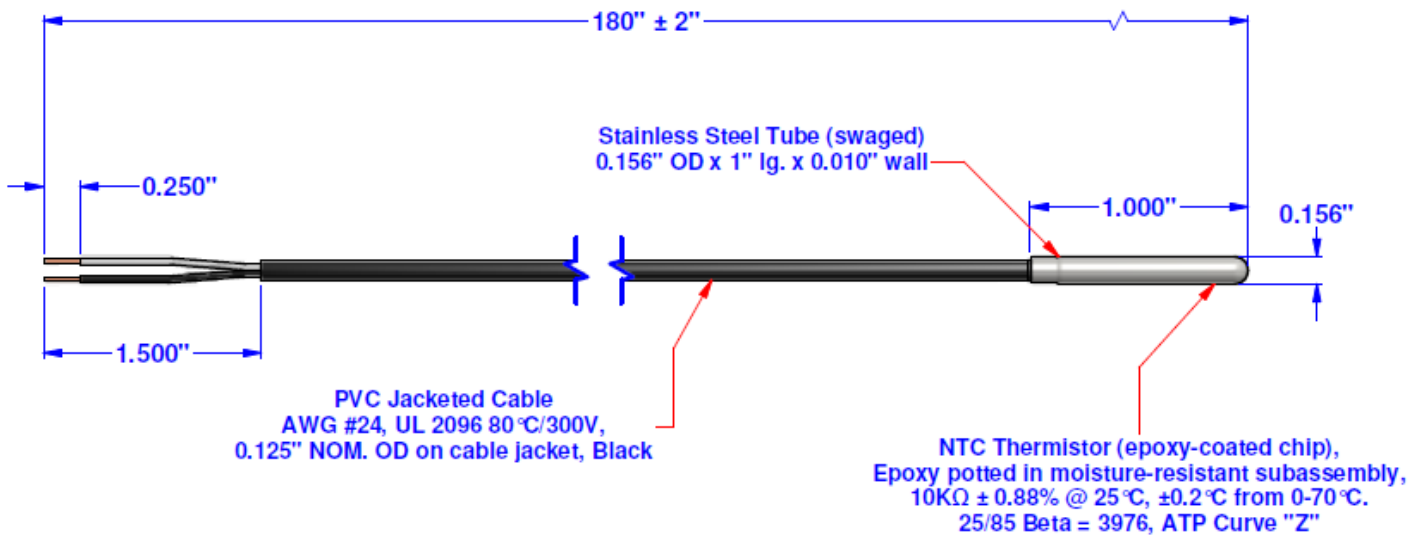
24VAC Red Indicator Light
(Part# 20C845)



24VAC Green Indicator Light
(Part# 20C843)



NTC Process Temperature Sensor
(P/N A1004MS24P1)



PCM Fault Code Label (P/N: WP-001L)

Carlyle Controller Part No. 2BSB000928, Application Guide 574-079, www.carlylecompressor.com

Controller Fault Indication Table					Controller Inputs & Outputs	
Fault Description	LED Indication (Output #4)	Compressor Start/Stop (Output #5)	Compressor	Manual Reset Required	Inputs	Outputs
High Discharge Temp Trip	Solid Red	OPEN	OFF	YES	#1 - Process Control Pressure or Temp	#1 - Slide Valve Coils #1
High Motor Temp Trip	Constant Blinking	OPEN	OFF	YES	#2 - Motor Temp	#2 - Slide Valve Coil #2
Compressor Oil Flow or Level Trip	One blink, 2 second pause	OPEN	OFF	YES	#3 - Discharge Temp	#3 - Motor Cooling Valve
Faulty Transducer or Thermistor (Input #1)	Two blinks, 2 second pause	OPEN	OFF	YES	#4 - Oil Flow / Oil Level Safety Circuit	#4 - LED Fault Indication Light
Faulty Motor Thermistor (Input #2)	Three blinks, 2 second pause	OPEN	OFF	YES	#5 - Run Recognition Signal	#5 - Compressor Start/Stop Switch
Faulty Discharge Thermistor (Input #3)	Four blinks, 2 second pause	OPEN	OFF	YES		