

## Multi-Status Indicator

### Overview

The Edwards 125XBRI Series XTRA-BRITE™ LED Multi-Status Indicator is a UL and cUL listed, multi-colour visual signaling device. It features a corrosion resistant Type 4X enclosure and can be panel or conduit mounted. The base is manufactured from a 33% glass filled nylon, providing high resistance to heat and high chemical resistivity. The lens is made of shatter resistant polycarbonate.

### New Adaptive Design: One Device Does It All

With a quick change to the new 125XBRI Chameleon's dip switch settings, these flexible multi-status indicators instantly adapt for use with or without control from an external PLC, PAC, or control relay. Now, regardless of the application, you will have just the right device for the job with only half the inventory.

### XTRA-SAFE™ Enabled

The Chameleon 125XBRI devices ship as standard with Edwards Signaling's XTRA-SAFE™ Technology (patent pending) Enabled. XTRA-SAFE™ multi-status indicating devices employ patented combinations of colour and flash-rate to provide more definite status indication to those who are colour-blind. With XTRA-SAFE™, when Chameleon multi-status indicators are turned red, they pulse at a rate of 240 flashes per minute, further emphasizing the urgency that the colour red typically connotes. When amber, these devices pulse at a "less urgent" rate of 120 flashes per minute. When Chameleon multi-status indicators are turned blue or green and no other colours are activated, the Chameleon devices remain "steady-on" and do not flash. Even in extreme cases where no colour is perceived, flash-rate variation provides a redundant layer of visual indication.

When XTRA-SAFE™ Technology is enabled, and multiple colours are energized, the device will cycle through the energized colours at the following pre-set flash rates:

- **Red: 240 FPM**
- **Amber: 120 FPM**
- **Green or Blue: 65FPM**

### XTRA-SAFE™ Disabled

While in most cases, the added layer of safety gained by operating a multi-status indicator with XTRA-SAFE™ Technology is desirable, some applications may not require differentiation in flash rates. In other applications, changes do not correspond to escalating levels of urgency. The adaptive design of the new Chameleon 125XBRI allows the product to be adapted to accommodate these requirements by a simple dip switch configuration. With XTRA-SAFE™ disabled, when red or amber, the unit pulses at a rate of 65 flashes per minute. When Chameleon multi-status indicators are turned green or blue and no other colours activated, the Chameleon devices remain "steady-on" and do not flash.

### Externally Controlled

The Chameleon multi-status indicators can also be used in applications where they will be controlled "externally" using a Programmable Logic Controller (PLC) or other such external controller. When externally controlled by a PLC, activation of colours and flash-rate are fully customizable, and can be programmatically determined. In applications, where multiple colours are activated simultaneously, the lights operate on a priority with red highest, amber second and blue or green, the lowest.

The 125 Class Chameleon beacons can be mounted on 1/2" or 3/4" NPT conduit using a 1/2" internal or 3/4" external conduit hug that comes with the unit. It can also be panel-mounted using the mounting gasket provided with the unit. When panel-mounting the 125 Class Chameleon, the surface and construction details of the panel must be taken into consideration to ensure the integrity of the outdoor, NEMA 4X rating is fully maintained.

## 125 Class Chameleon™

125XBRI Series XTRA-BRITE™  
LED multi-status indicator in  
NEMA 4X enclosure



CONTINUES... >>>

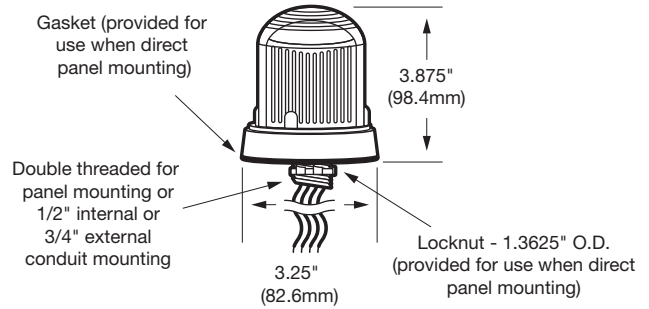
# Multi-Status Indicator

»» CONTINUED...

## Standard Features

- Available in 24Vdc or 120VAC
- Available with grey or black base
- Available in Red/Blue/Amber or Red/Green/Amber
- Option for panel or conduit mounting
- PLC Compatible
- XTRA-SAFE™ Technology enables status indication for those who are colour blind
- Dip switch for use with or without external control
- Immune to shock and vibration
- -31°F to 150°F (-35° to 66°C) operating temperature
- Protective wire guard available, Cat. No. 125GRD

## Installation and Mounting



## Ordering Information

### LED Multi-Status Indicator in NEMA 4X Enclosure

Cat. No.	Base Colour	Lens Colour	Projected LED Life (L70)**	Operating Voltage	Current	Repl. Lamp
125XBRIrGA24D	Grey	Red, Green, Amber	148,000 hours	24Vdc	0.150 A	125LC*
125XBRIrGA120A	Grey	Red, Green, Amber	148,000 hours	120VAC 50/60 Hz	0.100 A	125LC*
125XBRIrBA24D	Grey	Red, Blue, Amber	148,000 hours	24Vdc	0.150 A	125LC*
125XBRIrBA120A	Grey	Red, Blue, Amber	148,000 hours	120VAC 50/60 Hz	0.100 A	125LC*
125XBRIrGA24DB	Black	Red, Green, Amber	148,000 hours	24Vdc	0.150 A	125LC*
125XBRIrGA120AB	Black	Red, Green, Amber	148,000 hours	120VAC 50/60 Hz	0.100 A	125LC*
125XBRIrBA24DB	Black	Red, Blue, Amber	148,000 hours	24Vdc	0.150 A	125LC*
125XBRIrBA120B	Black	Red, Blue, Amber	148,000 hours	120VAC 50/60 Hz	0.100 A	125LC*

\*Clear

\*\*LED Manufacturer's Median Projected LED Life for LUXEON Rebel LED's (L70 at 85°C and T<sub>junction</sub> 98°C). Actual LED life will inversely with ambient temperature, voltage, driver current, junction temperature and duty-cycle at which the signaling device is operated. Please refer to [http://www.phillips.com/pdfs/WP\\_15.pdf](http://www.phillips.com/pdfs/WP_15.pdf).

### PLC Output to Meet Input Parameter Specifications

Cat. No.	Operating Voltage	Max. Off State Leakage Current (mA)	Continuous On Current (mA)	Surge (inrush/duration)
125XBRIrGA24D	24Vdc	5	150	28.5 A/65µSeconds
125XBRIrGA120A	120VAC 50/60 Hz	5	100	28.5 A/212µSeconds
125XBRIrBA24D	24Vdc	5	150	28.5 A/65µSeconds
125XBRIrBA120A	120VAC 50/60 Hz	5	100	28.5 A/212µSeconds
125XBRIrGA24DB	24Vdc	5	150	28.5 A/65µSeconds
125XBRIrGA120AB	120VAC 50/60 Hz	5	100	28.5 A/212µSeconds
125XBRIrBA24DB	24Vdc	5	150	28.5 A/65µSeconds
125XBRIrBA120B	120VAC 50/60 Hz	5	100	28.5 A/212µSeconds