

Strobe Lights

Overview

Edwards 90 Series strobe lights have been designed to command immediate attention. The unique double fresnel lens has been optically engineered to maximize the strobe tube brilliance, causing the dome to "fill" with light each time the strobe flashes. This design feature increases the apparent AdaptaBeacon "on-time", improving viewer perception. Beam distance is increased through the addition of external fresnel lenses. The heavy duty, cast zinc base may also double for use as a junction box.

These strobe lights have no moving parts and therefore are not subject to mechanical wear and are virtually immune to shock and vibration. The transistorized power supply and Xenon flash tube flashes a 360 degree beam of light of tremendous intensity through a shatter-resistant Lexan® optic lens. Lenses available in six colours: red; amber; blue; green; magenta; and clear.

The trigger and timing circuits are included as integral parts of the power supply. Strobe tube replacement costs are thus lessened as it is necessary to replace only the strobe tube.

Applications

Our AdaptaBeacon strobe lights are designed for indoor or outdoor installation - wherever a visual warning signal is required - or where ambient noise levels make audible signals difficult to hear.

These lights are ideally suited for installations where high ambient light levels make traditional rotating or flashing lights difficult to distinguish. The gasketed weatherproof design assures installation acceptability in most industrial and commercial locations.

While 90 series heavy duty strobe lights may be mounted on any plane; vertical installation is generally most suitable as this assures maximum beam width projection. Upright installation only is recommended for exterior (weatherproof) locations.

Standard Features

- **AC or DC models**
- **All AC models CSA certified**
- **Direct or pipe mounting**
- **Weatherproof installation -35°C to +66°C (-31°F to 150°F)**
- **Optically designed fresnel lens**
- **Single or double flash models**

No. 93 Series

Direct or Pipe Mount - 120 and 240VAC

Designed for heavy duty application in industrial, commercial and institutional locations. Available in double flash.

No. 94 Series

Direct Pipe Mount - 120 and 240VAC

Similar to No. 93 model with protective Lexan® dome cover. Heavy duty strobe ideal for high dust locations as dome cover protects lens and is more easily cleaned. Weatherproof. Ideal for signalling equipment malfunctions, security intrusions, or pinpointing problem locations. Available in double flash.

No. 97 Series

Direct or Pipe Mount - 12-48Vdc, 72-125Vdc, 250Vdc

For industrial applications such as forklifts, overhead cranes, repair vehicles. Weatherproof. Fully gasketed for either direct or conduit mounting. Available in double flash and with protective Lexan® dome cover.

AdaptaBeacon® Heavy Duty Strobe Lights

93, 94, and 97



93 and 97 Series

94 and
94DF Series



CONTINUES... >>>

Strobe Lights

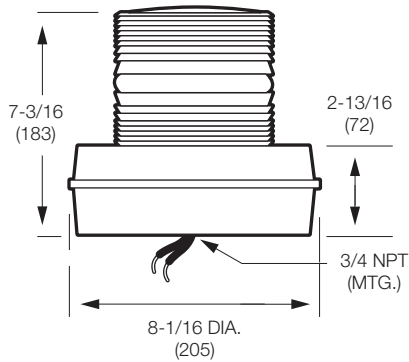
»» CONTINUED...

Ordering Information

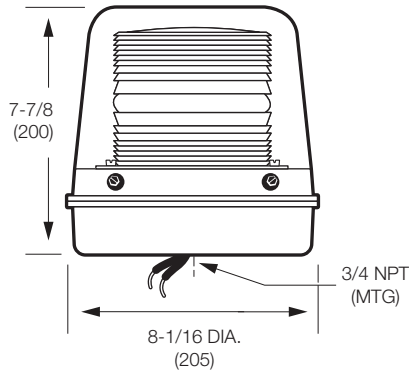
Description	Cat. No.	Nom. Amp Rating	Voltage	Repl. Lens	Repl. Dome	Mounting
Strobe light, 65 FPM	93(+)-R5	0.05	240VAC	93-L(+)	---	Direct or 3/4" NPT Pipe mounting
Strobe light, 65 FPM	93(+)-N5	0.1	120VAC	93-L(+)	---	
Strobe light, 50 double FPM	93DF(+)-R5	0.05	240VAC	93-L(+)	---	
Strobe Light, 50 double FPM	93DF(+)-N5	0.1	120VAC	93-L(+)	---	
Strobe light, with protective dome, 65 FPM	94(+)-R5	0.05	240VAC	93-L(+)	94DC	
Strobe light, with protective dome, 65 FPM	94(+)-N5	0.1	120VAC	93-L(+)	94DC	
Strobe light, with protective dome, 50 double FPM	94DF(+)-R5	0.05	240VAC	93-L(+)	94DC	
Strobe light, with protective dome, 50 double FPM	94DF(+)-N5	0.1	120VAC	93-L(+)	94DC	
Strobe light, 65 FPM	97(+)-EK	1.2	12-48Vdc	93-L(+)	---	
Strobe light, 65 FPM	97(+)-MP	0.2	72-125Vdc	93-L(+)	---	
Strobe light, 50 double FPM	97DF(+)-EK	1.2	12-48Vdc	93-L(+)	---	
Strobe light, 50 double FPM	97DF(+)-MP	0.2	72-125Vdc	93-L(+)	---	

(+) Specify color: R=Red, A=Amber, B=Blue, G=Green, C=Clear, M=Magenta

Installation and Mounting



93 and 97 Series Strobes



94 Series Strobes
c/w Lexan Dome