

Dual Mode Lights

Overview

The 48XBRM Series LED Visual Indicator is a UL and cUL listed dual-mode signaling device housed in a corrosion resistant Type 4X enclosure. The 48XBRM Series XBR (XTRA-BRITE™) is suitable for indoor or outdoor installations, and can be panel or conduit mounted. The base is manufactured from a polycarbonate/ABS blend, and the lens is made of shatter resistant polycarbonate. The 48XBRM Series LED is available in AC and DC models with a grey base, and an amber, blue, green, red or white lens.

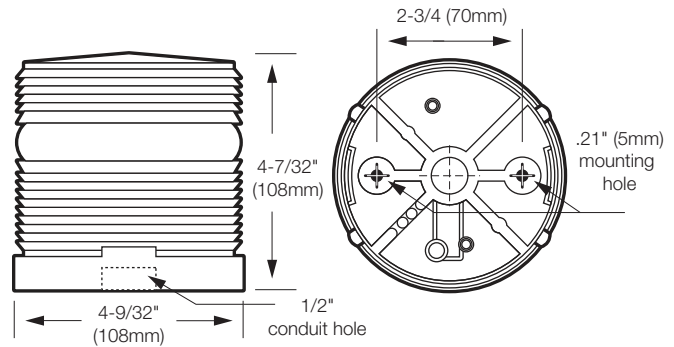
The 48XBRM Series XTRA-BRITE™ LED beacons are well suited for areas with high ambient noise levels, especially where ear protection must be worn. These LED beacons are also ideal for high-vibration applications and areas where long lamp life is a must. 48XBRM LED beacons are "dual-mode" devices that ship from the factory in steady-on mode and can be readily transformed by changing the dip switch setting to 65 FPM "flashing" mode.

Designed for indoor or outdoor installation. May be direct or 1/2" conduit mounted. For weatherproof installation, units must be mounted vertically with the lens facing up. Use Cat. No. GSK-KIT gasket for weatherproof surface installation of AC models. May be corner mounted using the Cat. No. CBR, corner mount bracket, or wall mounted using the Cat. No. WBR, wall mount bracket.

Standard Features

- **Rated for use in indoor and outdoor applications**
- **Available in 24Vdc or 120VAC**
- **Available with gray base**
- **Options for panel or conduit mounting**
- **Dual-mode beacons: Steady-On or Flashing LED**
- **Snap-on high impact polycarbonate/ABS base**
- **Available with amber, blue, green, red or clear lens**
- **-35°C to 66°C (-31°F to 150°F) operating temperature**

Installation and Mounting



Use Cat. No. GSK-KIT gasket kit for weatherproof surface mount installation on AC units

48XBRM Series XTRA-BRITE™

LED dual-mode visual indicator for
NEMA 4X applications



CONTINUES... >>>

Dual Mode Lights

»» CONTINUED...

Ordering Information

LED Dual-Status Beacon in NEMA 4X Enclosure

Cat. No.	Base Colour	LED Colours	Projected LED Life (L70)**	Operating Voltage	Current	Repl. Lens
48XBRM*24D	Grey	Amber, Blue, Clear, Green, Red	148,000 hours	24Vdc	0.215 A	96-L*
48XBRM*120A	Grey	Amber, Blue, Clear, Green, Red	148,000 hours	120VAC 50/60 Hz	0.108 A	96-L*

*Letter in this position designates lens colour: A - amber, B - blue, G - green, R - red, or W - white

**LED Manufacturer's Median Projected LED Life for LUXEON Rebel LEDs (L70 at 85°C and T junction 98°C). Actual LED life will vary inversely with ambient temperature, voltage, driver current, junction temperature and duty-cycle at which the signaling device is operated. Please refer to <http://www.philipslumileds.com/pdfs/WP15.pdf>.

PLC Output to Meet Input Parameter Specifications

Cat. No.	Operating Voltage	Max. Off State Leakage Current (mA)	Continuous On Current (mA)	Surge (inrush/duration)
48XBRM*24D	24Vdc	5	.9	37.5 A / 164 µseconds
48XBRM*120A	120VAC 60 Hz	5	5	37.5 A / 164 µseconds