

Multi-Status Indicator

Overview

The Chameleon is designed to function as either a steady or flashing visual signal. It is designed such that any or all three lights can be activated over a DeviceNet network.

The Chameleon also features the ability to stack one additional lens module and light source - either strobe, halogen, incandescent, or LED - providing for a fourth visual signal.

The diffusion optic lens allows viewing from close up while still projecting the light through use of a built-in projection ring. The light module cover features a molded-in gasket for dust tight reliability.

Double optics and the unique lens design provides an increased viewing area without increasing the base diameter.

The Chameleon features a multi-tone base module that allows the installer to select one of eight available tone options. The tones available are: stutter beep, continuous, 3 pulse horn, rapid siren, hi/lo, fast whoop, yeow and beep. The selected tone can be operated as an additional signal or used in conjunction with any of the visual signals. The signal is rated at 85 dB at 5 feet (1.63m).

Agency Approvals

- **UL listed**
- **cUL listed**
- **Type 3R, 4X and IP65 rated**

Standard Features

- **3 visual LED signals in one compact Housing**
- **Two stack capability for a fourth visual signal**
- **Multi-tone base module**
- **Multiple LED clusters in red, green and amber or red, blue and amber**
- **NEMA 4X rated**
- **Suitable for indoor or outdoor installation -35°C to +66°C (-31°F to 150°F)**
- **Available in 24Vdc and 120VAC 50/60 Hz**
- **Vibration resistant heavy duty industrial design**
- **Molded-in gasketed lens modules**
- **Mounting flange and 4", 10" and 15" mounting pipes available**

DeviceNet Compatible Multi-Status Indicator

The 108 Series Multi-Status Indicator utilizes the same DeviceNet interface as the 102 Series Trilipstacklight. It has been tested by ODVA's authorized independent test lab and found to comply with ODVA conformance test software.

The DeviceNet interface is in the base which interfaces between the DeviceNet network and the Chameleon.

The Chameleon Multi-Status Indicator is a slave device. It is a general purpose status indicator designed to indicate the status of a machine or process.

The unisolated physical layer contains DeviceNet required mis-wiring protection circuitry. A standard open style (unsealed) 5 pin connector is used to connect the multi-status indicator to the DeviceNet bus. The current draw from the bus is 0.12A.

The power required to drive the lamps is supplied separately from the bus power for the 120VAC (N5) version. DC power for the 24Vdc (G1) version may be taken locally or from the DeviceNet Network. A standard open style 2 pin connector is used to connect 24Vdc @ 1.75A (max) or 120VAC at 0.6A (max) to drive the light sources.

The Chameleon Multi-Status Indicator contains a pre-programmed microcontroller which implements the Group 2 pre-defined Master/Slave Connection Set. This allows for one Explicit Messaging Connection and one Poll Connection. The multi-status indicator resets automatically when DeviceNet power is applied.



CONTINUES... >>>>

Chameleon™ DeviceNet™ Compatible Multi-Status Indicator

108-DN Series



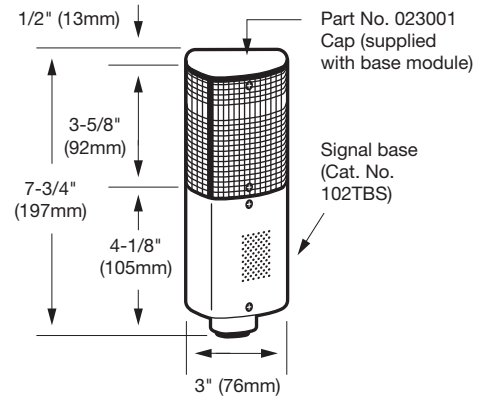
Multi-Status Indicator

»» CONTINUED...

Installation and Mounting

3/4" (19mm) NPT conduit pipe mounting in non-hazardous dust and weatherproof applications.

For indoor applications, may be vertically mounted with lenses facing up or down. For weatherproof installation, it is recommended that the unit be conduit mounted vertically with lenses facing up.



May stack an additional lens module with an additional 3-5/8" (92mm) height

Ordering Information

Cat. No.	LED Colors	Lumen Ratings*	Electrical Ratings	Lamp Life
108-DN-RGA-N5	Red	120	120VAC 0.115A**	100,000 hr
	Green	90		
	Amber	307		
108-DN-RGA-G1	Red	120	24Vdc 0.105A**	100,000 hr
	Green	90		
	Amber	307		
108-DN-RBA-N5	Red	120	120VAC 0.115A**	100,000 hr
	Blue	90		
	Amber	307		
108-DN-RBA-G1	Red	120	24Vdc 0.105A**	100,000 hr
	Blue	90		
	Amber	307		

* Manufacturer's lumen and life ratings
 ** Includes tone module