

## Horns/Sirens

### Overview

The 5522M Series Horn and 5523M Series Siren are low current, high performance, high decibel signals for hazardous locations.

They can be mounted on any surface using three bolts. Flying leads allow for quick installation.

For use where a high decibel sound is required for alert or evacuation in hazardous locations. Typical applications include signaling for security, evacuation, power failure, and danger. Ideal for use in factories, mines, flour mills, refineries and paint shops.

### Standard Features

- Corrosion resistant electrostatic heat flowed powder epoxy grey finish
- Fitted with factory sealed 1/2" (13mm) threaded pipe nipple for quick installation

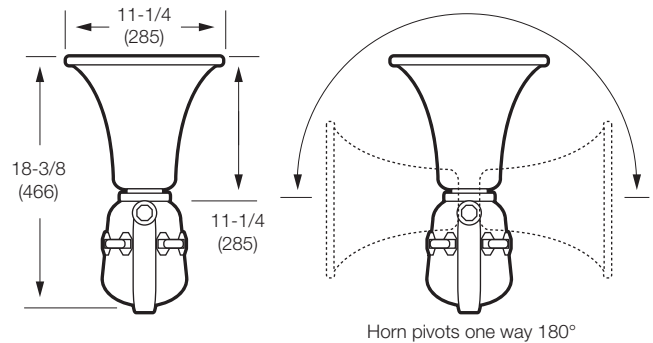
### Agency Approvals

- cUL Listed for Class 1, Division 1 and 2, Groups B, C, and D hazardous locations

### Specifications

- Speaker swivels 180° vertically or horizontally depending on orientation of mounting bracket
- 30" (762mm) wire leads
- Horn frequency - 982 Hz
- Siren frequency - rises and falls from 600 to 1250 Hz every 8 seconds

### Installation and Mounting



### Ordering Information

Cat. No.	Description	Volts	Signal On Operating Current (AMPS)	dB@10' (3m)
5522M-AQ	Horn	24Vdc	0.25	109
		24VAC 50/60 Hz	0.95	
5522M-Y6	Horn	120VAC 50/60 Hz	0.26	
		240VAC 50/60 Hz	0.26	
		125Vdc	0.13	
		250Vdc	0.13	
5523M-AQ	Siren	24Vdc	0.25	105
		24VAC 50/60 Hz	0.95	
5523M-Y6	Siren	120VAC 50/60 Hz	0.26	
		240VAC 50/60 Hz	0.26	
		125Vdc	0.13	
		250Vdc	0.13	

## Duotronic® Electronic Horns and Sirens

5522M and 5523M Series

