

Multi-Status Indicator

Overview

The Chameleon is designed to function as either a steady or flashing visual signal. It is designed such that any or all three lights can be activated by either a PLC or contact closure. The first light activated will illuminate either steady or flashing (set by an internal jumper). If a second light is activated, the Chameleon cycles between the two colors. A third activation causes the Chameleon to cycle between all three colors: red, amber, and green or red, amber, and blue.

The Chameleon also features the ability to stack one additional lens module and light source - either strobe, halogen, incandescent, or LED - providing for a fourth visual signal.

The diffusion optic lens allows viewing from close up while still projecting the light through use of a built-in projection ring. The light module cover features a molded-in gasket for dust tight reliability. Double optics and the tripliptical design provides an increased viewing area without increasing the base diameter.

The 108I Series features a multi-tone base module that allows the installer to select one of eight available tone options. The tones available are: stutter beep, continuous, 3 pulse horn, rapid siren, hi/lo, fast whoop, yeow and beep. The selected tone can be operated as an additional signal or used in conjunction with any of the visual signals. The signal is rated at 85 dB at 5 feet (1.63m).

The Chameleon is also available without tone capability in direct surface and 2 inch (51mm) pipe mount bases.

Standard Features

- **PLC compatible**
- **NEMA 4X rated**
- **Suitable for indoor or outdoor installation -35°C to +66°C (-31°F to 150°F)**
- **3 visual LED signals in one compact housing**
- **Two stack capability for a fourth visual signal**
- **Multi-tone base module option**
- **Multiple LED clusters in red, green and amber or red, blue and amber**
- **Available in 24Vdc and 120VAC 50/60 Hz**
- **Vibration resistant heavy duty industrial design**
- **Molded-in gasketed lens modules**
- **Mounting flange and 4", 10" and 15" mounting pipes available**

Agency Approvals

- **UL Listed**
- **cUL Listed**
- **Type 3R, 4X and IP65 Rated**

Chameleon™ PLC Compatible Multi-Status Indicator

108 Series



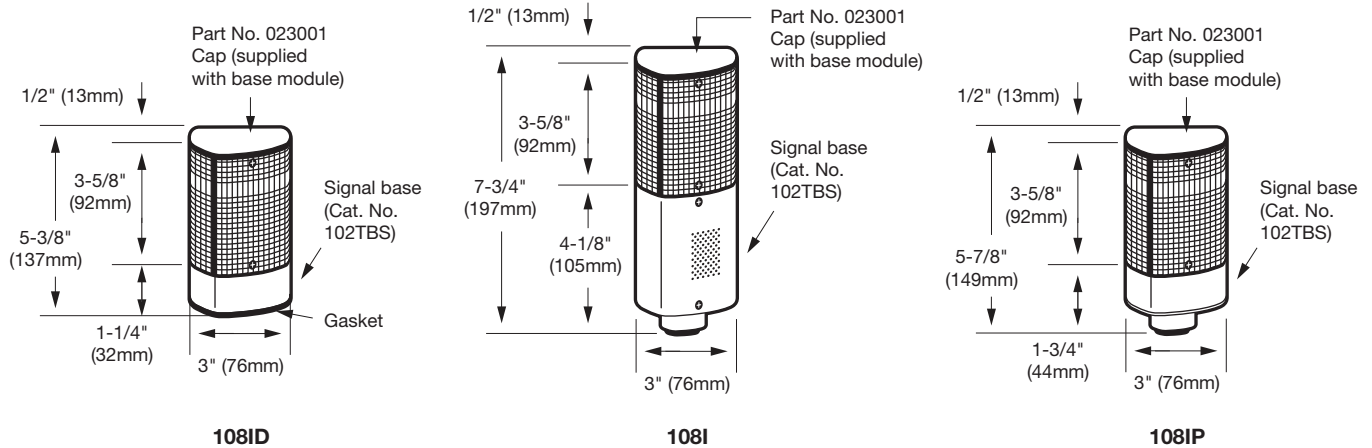
CONTINUES... >>>

Multi-Status Indicator

»» CONTINUED...

Installation and Mounting

3/4" (19mm) NPT conduit pipe mounting or surface mounting in non-hazardous dust and weatherproof applications. For indoor applications, may be vertically mounted with lenses facing up or down. For weatherproof installation, it is recommended that the unit be conduit mounted vertically with lenses facing up.



*May stack an additional lens module with an additional 3 5/8" (92mm) height

Ordering Information

Cat. No.	Mounting	LED Colors and Lumen Ratings*	Electrical Ratings	Lamp Life	Max. off state leakage current mA	Continuous on current mA	Peak current inrush/duration A/mSeconds
108I-RGA-N5	Pipe mount (w/tone module)	Red = 120 Green = 90 Amber = 307	120VAC 0.115A**	100,000 hr	5	.115	0.35/0.2
108I-RGA-G1	Pipe mount (w/tone module)		24Vdc 0.105A**	100,000 hr	5	.105	0.24/0.2
108I-RBA-N5	Pipe mount (w/tone module)		120VAC 0.115A**	100,000 hr	5	.115	0.35/0.2
108I-RBA-G1	Pipe mount (w/tone module)		24Vdc 0.105A**	100,000 hr	5	.105	0.24/0.2
108IP-RGA-N5	Pipe mount (short base)		120VAC 0.045A	100,000 hr	5	.045	0.10/8
108IP-RGA-G1	Pipe mount (short base)		24Vdc 0.055A	100,000 hr	5	.055	0.07/0.2
108IP-RBA-N5	Pipe mount (short base)		120VAC 0.045A	100,000 hr	5	.045	0.10/8
108IP-RBA-G1	Pipe mount (short base)		24Vdc 0.055A	100,000 hr	5	.055	0.07/0.2
108ID-RGA-N5	Direct mount		120VAC 0.045A	100,000 hr	5	.045	0.10/8
108ID-RGA-G1	Direct mount		24Vdc 0.055A	100,000 hr	5	.055	0.07/0.2
108ID-RBA-N5	Direct mount		120VAC 0.045A	100,000 hr	5	.045	0.10/8
108ID-RBA-G1	Direct mount		24Vdc 0.055A	100,000 hr	5	.055	0.07/0.2

* Manufacturer's lumen and life ratings

** Includes tone module