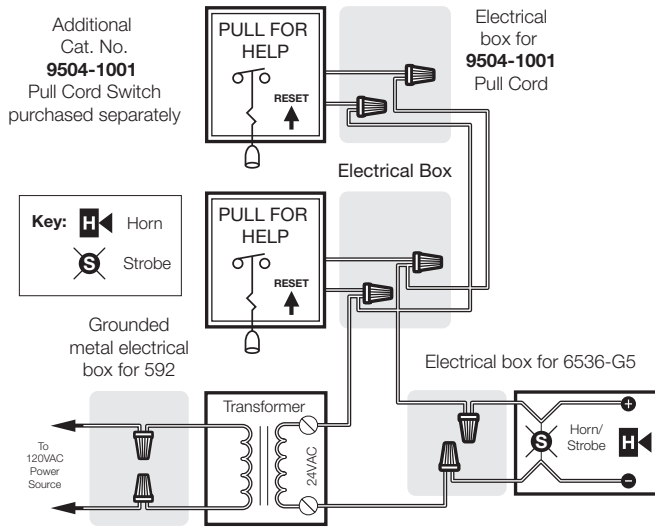


Call for Assistance

Overview

The Call for Assistance system is designed for use in hospitals, public rest-rooms, and especially for handicapped areas where a call-for-help or an emergency switch is required. The system consists of a horn/strobe for audible and visual signalling, an emergency pull cord station for activation and a transformer for AC power. The Call For Assistance components can be purchased separately or as a kit (Cat. No. 6538C-G5).

Installation and Mounting



Standard Features

- 24VAC
- Transformer CSA approved
- High intensity strobe
- Pull cord station, stainless steel finish
- Horn/strobe front plate beige

Cat. No. 6538C-G5

Kit consists of:

- 6536-G5 Horn/Strobe
- 592 Transformer
- 9504-1001 Pull Cord Station

Cat. No. 6536-G5 Horn Strobe

The Cat. No. 6536-G5 Horn/Strobe is designed for installation in a single gang box 2"(51) x 4"(102) located over doors of restrooms. Each unit contains an audible horn signal which generates an 82dBA sound pressure level at 10 ft. and a high intensity 11.7 candela (strobe) visual signal. The unit draws 265 mA.

Cat. No. 592 Transformer

The Cat. No. 592 transformer is used to power the horn/strobe. It is suitable for surface or enclosed mounting.

Cat. No. 9504-1001 Pull Cord Station

The Cat. No. 9504-1001 pull cord station provides emergency call activation with reset at the call initiating station.

Dimensions - 2-3/4"(70) x 4-1/2"(114).

Materials - Stainless steel face plate with maintained slide switch.

Call for Assistance Kit

