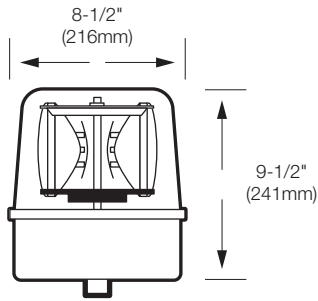


Rotating Incandescent Lights

Overview

Edwards 100SB Series rotating beacons are heavy duty visual signals designed with dual sealed beam lamps that rotate 360 degrees within a high impact polycarbonate dome. The PVC coated base allows for greater corrosion resistance and durability. Features a quiet belt drive for simplified maintenance.

Installation and Mounting



Standard Features

- Incandescent light source
- Dual sealed beams
- PVC coated base
- Quiet belt drive for simplified maintenance
- 3/4" NPT conduit mounting
- NEMA Type 3R enclosure
- For outdoor applications, lens should face up

Weights and Dimensions

| Cat. No. | Approx. Net Weight (lb.) | Approx. Shipping Weight (lb.) |
|-----------|--------------------------|-------------------------------|
| 100SBA-N5 | 7.72 | 8.64 |
| 100SBB-N5 | 7.72 | 8.64 |
| 100SBC-N5 | 7.72 | 8.64 |
| 100SBG-N5 | 7.72 | 8.64 |
| 100SBR-N5 | 7.72 | 8.64 |

Ordering Information

| Cat. No. | Description | Operating Voltage | Current | Dome Colours | Flash Rate | Peak Candela | Dome | Replacement | |
|-----------|-----------------------------|-------------------|---------|--------------|------------|--------------|----------|-------------|---------------------------------------|
| | | | | | | | | Belt | Lamp |
| 100SBA-N5 | Rotating light incandescent | 120VAC | 0.8 A | Amber | 80 fpm | 35,000 | 100SB-LA | 100SB-RB | GE # 4416-1 900 hours. ^{2,3} |
| 100SBB-N5 | | 120VAC | 0.8 A | Blue | 80 fpm | 35,000 | 100SB-LB | | |
| 100SBC-N5 | | 120VAC | 0.8 A | Clear | 80 fpm | 35,000 | 100SB-LC | | |
| 100SBG-N5 | | 120VAC | 0.8 A | Green | 80 fpm | 35,000 | 100SB-LG | | |
| 100SBR-N5 | | 120VAC | 0.8 A | Red | 80 fpm | 35,000 | 100SB-LR | | |

¹AC voltage frequency is 50/60 Hz

²Projected life based on manufacturer's calculated lamp life.

³User supplied

AdaptaBeacon® Rotating Incandescent Lights

100SB Series

