



Features:

- Designed to address the total fire hazard
- Flexible piping configurations
- Choice of black, chrome and stainless steel piping
- Valves incorporate pressure gauges for at a glance readiness status
- Cylinders can be piped together to minimize installation cost
- Three temperature heat detectors available for precise hazard specification
- Easily identifiable nozzles with integral strainers and foil bursting discs to protect against blockage during discharge
- Optional stainless steel enclosure

First with the Best!

Rated #1 in Canada – Best Performance

- Range Guard®, Badger Fire Protection's Wet Chemical Fire Suppression System, uses KARBALOY, the superior wet chemical agent first developed over 40 years ago. Range Guard® was the FIRST, and remains the BEST.
- Range Guard® systems guard against
 - facility damage
 - potential injury of personnel and patrons
 - lost profits due to business interruption
- Range Guard® systems assure
 - quick fire detection and suppression
 - 24-hour, continual fire protection
 - superior wet chemical coverage that quickly suppresses fires and prevents reflash
 - quick clean up
- Range Guard® is tested to ULC / ORD 1254C.6 (UL 300) standards, conforms to NFPA 17A and NFPA 96 and is manufactured in accordance with ISO 9001 certified quality standards.

Fast, Reliable Fire Suppression

...could mean everything to the success of your business! Rely on Range Guard® systems.

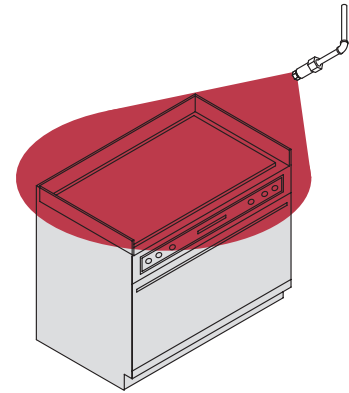
- **Rapid Fire Detection** using state-of-the-art heat detectors.
- **Removal of Heat Source** as Range Guard® system automatically turns off appliances.
- **Immediate Fire Suppression** as wet chemical agent is sprayed on hazard area with special nozzles designed to give optimal coverage; wet agent provides superior saponification, which quickly snuffs flames and prevents reflash.
saponification: a chemical process by which fatty acids contained in cooking media are converted to soap or foam.
- **Quick, Easy Clean Up** once appliances have cooled, the agent can be easily wiped away from the equipment.



Range Guard® was the first ULC listed
Wet Chemical Fire Suppression System

Easy to Install, Affordable to Maintain

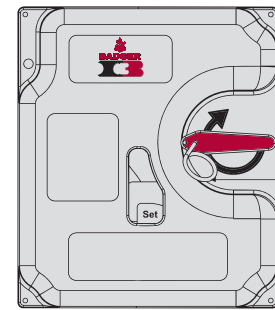
- Range Guard® systems offer maximum protection with minimum maintenance
- Range Guard® pre-engineered systems are more cost effective because flexible, versatile system components save on hardware and installation costs.
- Range Guard® system recharging is fast and economical; great for keeping maintenance costs low.
- Range Guard® nozzles may be placed outside the appliance perimeter for ease of installation.



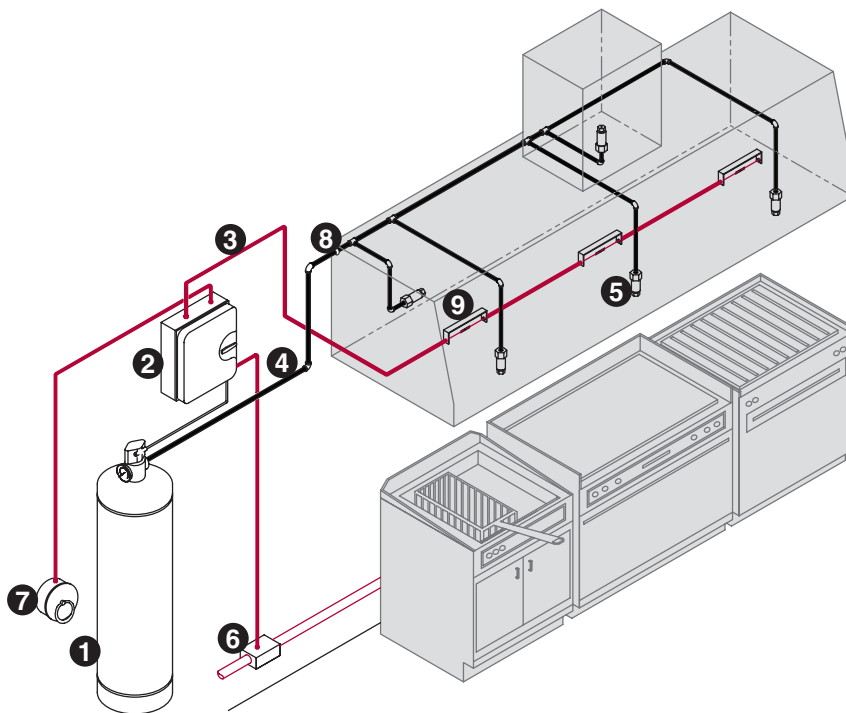
Nozzles: may be placed outside appliance perimeter

More Choice

- **Optimal Control**
 - Fire suppression using automatic and/or manual operation modes.
- **Custom Fit**
 - Range Guard® systems are designed to easily fit in any kitchen layout.
- **System Updates Use Existing Hardware**
 - Range Guard® strives to utilize existing system components to implement updates and improvements, making innovations and upgrades more cost effective.



Universal Control Head: provides either mechanical or electrical actuation.



Range Guard® Provides...

- 1 System cylinder with mounting bracket
- 2 Universal or A+ Control Head
- 3 Detection line in conduit
- 4 System discharge piping
- 5 Appliance, plenum and duct nozzles
- 6 Automatic gas shut-off (electrical or mechanical)
- 7 Remote manual control
- 8 Liquid seal device for hood and duct penetrations
- 9 Detector with fusible element

Distributed by:

This information is subject to change without notice. While every effort has been made to eliminate errors, Kidde Canada Inc. disclaims any liability for any errors or misinterpretation of the information contained herein. Contact Kidde Canada Inc. or your local distributor for assistance.



Kidde Canada Inc.

340 Four Valley Drive
Vaughan, Ontario L4K 5Z1
Tel: (905) 695-6060 Fax: (905) 660-4670
www.kiddecanada.com