

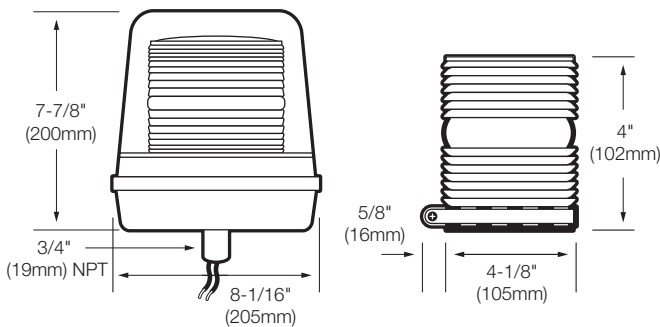
Strobe Lights

Overview

Edwards Strobe Lights have been designed to command attention. The unique double fresnel lens has been optically engineered to maximize the strobe tube brilliance. This is accomplished with a series of complementing fresnels that cause the dome to “fill” with light each time the strobe flashes. This design feature increases the apparent “on-time”, improving viewer perception. Beam distance is increased through the addition of external fresnel lenses.

These Strobe Lights have no moving parts and are therefore not subject to mechanical wear and are virtually immune to shock and vibration. The transistorized power supply and Xenon flash tube flashes a 360° beam of light through a shatter-resistant Lexan® optic lens. Lenses available in six colours: red, amber, blue, green, magenta and clear.

Installation and Mounting



Standard Features

- **AC or DC models**
- **Optically designed Fresnel lens**
- **CSA Certified for:**
 - Class I, Division 2, Groups A, B, C and D,
 - Class II, Division 2, Groups E, F & G
- **Temperature Code:**
 - 94DV2: T3C
 - 96DV2: T4A
- **NEMA 4X Enclosure**
- **Weatherproof -35°C to +66°C (31°F to 150°F)**

Applications

These AdaptaBeacon strobe lights are designed for indoor and outdoor installation—wherever a visual warning signal is required, or where ambient noise levels make audible signals difficult to hear.

94DV2 Series

Pipe Mount–120VAC or 24Vdc

Heavy duty strobe c/w protective Lexan® Dome. Zinc cast base has 3/4" NPT conduit entrance, and may be used as a junction box for electrical connections.

96DV2 Series

Pipe Mount–120VAC or 24Vdc

Mini strobe with 1/2" NPT conduit entrance.

Division 2 AdaptaBeacon® Strobe Lights

94DV2 and 96DV2



CONTINUES... >>>

Strobe Lights

»» CONTINUED...

Ordering Information

Description	Cat. No.	Nom. Amp Rating	Voltage	Replacement Cat. No.			Mounting
				Lens	Dome	Tube	
Division 2 strobe light flash Rate: 65 FPM	94DV2(+)-N5	0.1	120VAC	93-L(+)	94DC2	92-ST	Pipe mount 3/4" NPT
Division 2 strobe light flash Rate: 65 FPM	94DDV(+)-G1	1.0	24Vdc	93-L(+)	94DC2	92-ST	Pipe mount 3/4" NPT
Division 2 mini strobe light Flash rate: 65 FPM	96DV2(+)-N5	0.1	120VAC	96-L(+)	---	91B-ST	Pipe mount 1/2" NPT

(+) Specify color: R=Red, A=Amber, B=Blue, G=Green, C=Clear, M=Magenta

94DV2

Class	Division	Group	Temp. Code
I	2	A, B, C, D	T3 (200°C, 392°F)
II	2	F, G	T6 (85°C, 185°F)
III			T6 (85°C, 185°F)

96DV2

Class	Division	Group	Temp. Code
I	2	A, B, C, D	T3 (160°C, 320°F)
II	2	F, G	T6 (85°C, 185°F)
III			T6 (85°C, 185°F)