



United Technologies

ServiMax™ / ServiMax™ XL



Counters

Benefits at a glance

- Island solution with outstanding counter design
- High footprint utilization
- Additional space for promotional items
- Excellent display of pre-packed fresh food
- Good product visibility

ServiMax™ / ServiMax™ XL

Efficiently designed counter combination to boost your sales

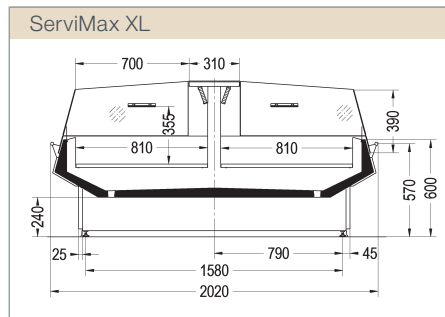
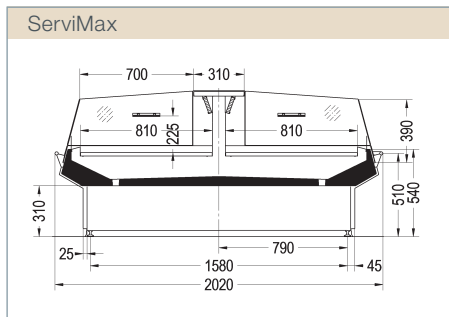
Product Features

- Gondola set-up combination
- Available in two versions with different loading heights (225 mm or 355 mm)
- Available lengths (mm): 1250 / 1875 / 2500 / 3750
- Fan-assisted air circulation
- Endwalls with full-glazing design
- Digital thermometer
- Crown-end with metal-sheet effect mirror on the back wall
- Rounded bumper rail on the front with 20 mm diameter

Options

- Electric defrost
- Internal equipment in stainless steel
- Adjustable internal bottom shelf grid
- Price holder
- Rounded bumper rail on the endwalls with 20 mm diameter

TECHNICAL DATA



ServiMax	Modules				
	125	188	250	375	CE*
Total display area [m ²]					
ServiMax / ServiMax XL	2.18	3.27	4.36	6.54	1.66
Loading volume [m ³]**					
ServiMax	0.31	0.46	0.62	0.93	0.20
ServiMax XL	0.56	0.84	1.12	1.68	0.36
Temperature range [°C]			0...+2		

* Crown-end available.

** Volume calculated considering the display surface in the lowest position.
Volume calculated with products displayed on steps.



Dairy products



Prepacked cheese



Prepacked fresh meat



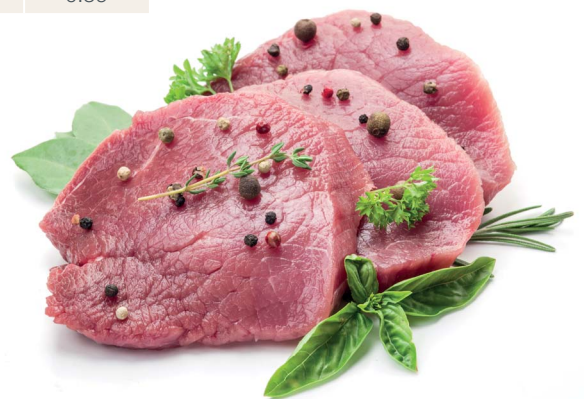
Prepacked minced meat



Prepacked delicatessen



Prepacked fish



Carrier Commercial Refrigeration is a leading supplier of high-efficiency turnkey refrigeration systems and services in the food retail industry.

www.carrier-refrigeration.com
www.carrier.com

