



United Technologies

Danaos[®] Invite



Counters

Benefits at a glance

- Eye-catching food presentation with swivel plate function
- Semicircular design creates a stand-out highlight in your counter line
- Variability of use for all product groups
- Easily multiplexable with Danaos straight units
- Modern look with large glass surfaces and stainless steel front
- Easy cleaning thanks to the tiltable top canopy glass and removable swivel plate

Danaos[®] Invite

The eye-catcher in your counter line

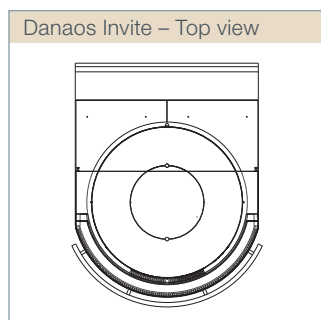
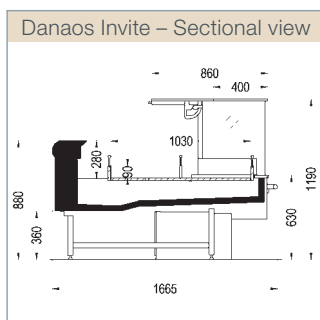
Product Features

- Semicircular design presentation
- Swivel plate manually rotatable
- Fan-assisted air circulation
- One length: 1250 mm
- Tilttable top canopy
- Bumper protection in stainless steel
- Front pedestal in stainless steel
- Internal equipment in stainless steel

Options

- Display shelves
- Swivel plate in different materials and colors
- Fish tray
- Tray set for swivel plate (17 pieces)
- Additional tray set for lateral positioning (8 pieces)
- Cutting board, knife sheath, scale/slicer platform
- External cladding options in wood or similar material

⊕ TECHNICAL DATA



Modules	
Danaos Invite	125
Total display area (m ²)	
Danaos Invite	1.31
Temperature range (°C)	-1...+1



Cheese



Meat



Delicatessen



Fish



SC-005-EN-0117 | The manufacturer reserves the right to change the product specifications without notice. © 2017 Carrier Corporation



Carrier Commercial Refrigeration is a leading supplier of high-efficiency turnkey refrigeration systems and services in the food retail industry.

www.carrier-refrigeration.com
www.carrier.com

