



United Technologies

Areor[®]



Counters

Benefits at a glance



- Outstanding flexibility
- High product visibility with easy access
- Improved energy efficiency

Areor®

Energy-efficient Plug-in counter-island with modern styling

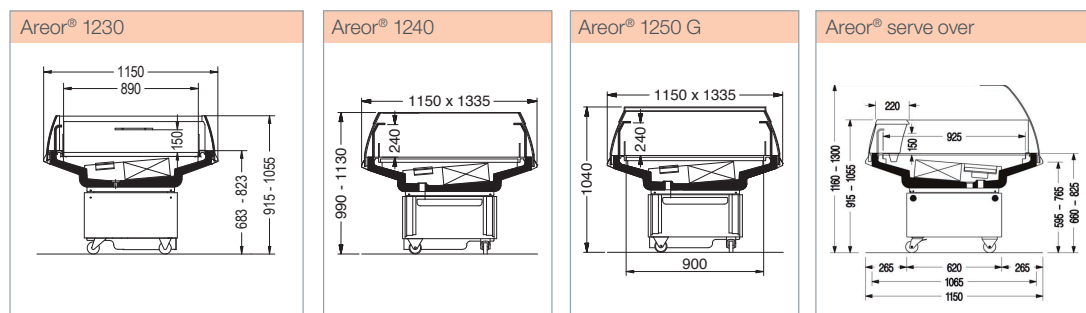
Standard configuration

- Internal and external panels galvanized steel with hard-wearing RAL 9006 exterior and NCS 0501-B58G interior
- Temperature-assured forced-air cooling
- Standard fans in R404A cabinets
- EC condenser fan in R290 cabinets
- Sliding glass lid for 1250G
- Electronic controller
- Digital thermometer
- Natural refrigerant R290



Areor 1250 G

Basic models



	Units	Natural			Standard	
		1230	1240	1250 G	1230	1240
Temperature	[°C]	+4...+6	+2...+4	-1...+1	+4...+6	+2...+4
Refrigerant		R290			R404A	
Width	[mm]	1335			1335	
Depth	[mm]	1150			1150	
Height	[mm]	915	990	1040	915	990
Volume	[l]	158			158	
TDA	[m²]	1.08	1.05		1.08	1.05
Power cons. ref.	[W]	690			730	
Power cons. def.	[W]	36			25	
Energy cons.*	[kWh/d]	9.8	8.2	4.5	9.3	7.8
Heat dispatch*	[W]	410	340	190	390	325
Application						

* at Climate Class 3 according to ISO 23953



Carrier Commercial Refrigeration is a leading supplier of high-efficiency turnkey refrigeration systems and services in the food retail industry.

www.carrier-refrigeration.com
www.carrier.com

