



United Technologies

Danaos[®] Panorama GL



Counters

Benefits at a glance

- Energy-efficient operation thanks to glass lids
- Island combination with trendy flat glass
- Aesthetics adaptable to counter line's design
- Enhanced product visibility
- High footprint utilization



Danaos® Panorama GL

Great food display and efficient operation combined in one counter

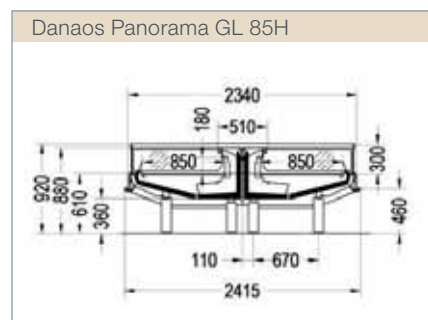
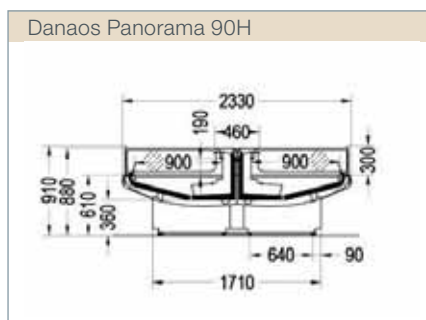
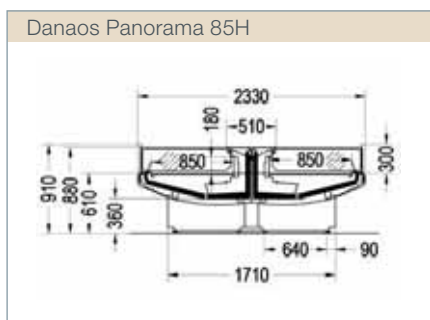
Product Features

- Sliding push lids (for back-to-back installation only)
- Available lengths without glass lid (mm): 630 / 935 / 1250 / 1560 / 1875 / 2500 / 3120 / 3750
- Available lengths with glass lid (mm): 2500 / 3750
- 300 mm high front glass
- Fan-assisted air circulation

Options

- Single unit or back-to-back installation
- Different designs available (E5 / CB / Total inox / flat design) with customization possibilities
- Remote and plug-in versions
- Price rail
- Lighting on cabinet front
- Electric defrosting

+ TECHNICAL DATA



Modules								
Danaos Panorama	63	94	125	156	188	250	312	375
Total display area [m ²]								
Danaos Panorama 85H	0.53	0.8	1.06	1.3	1.59	2.13	2.66	3.19
Danaos Panorama 90H	0.57	0.84	1.13	1.41	1.69	2.25	2.81	3.38
Danaos Panorama GL 85H	-	-	-	-	-	2.13	-	3.19
Temperature range [°C]	0...+2							



Dairy products



Prepacked cheese



Prepacked fresh meat



Prepacked minced meat



Prepacked delicatessen



Carrier Commercial Refrigeration is a leading supplier of high-efficiency turnkey refrigeration systems and services in the food retail industry.

www.carrier-refrigeration.com
www.carrier.com

