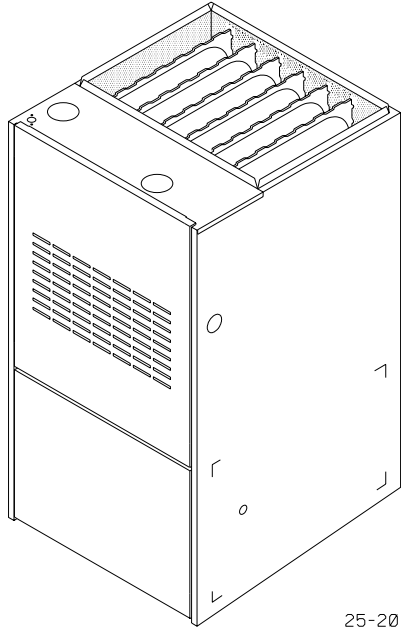


# Technical Support Manual



## Models

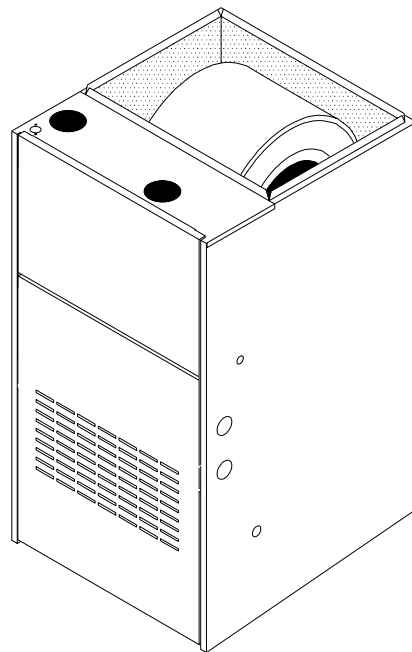
NTGM050EFA3  
NTGM075EGA3  
NTGM100EHA3  
NTGM125EKA3

GNK050N12A3  
GNK075N14A3  
GNK100N16A3  
GNK125N20A3

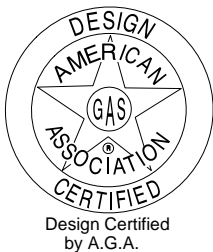
## Models

NCGM050EFA3  
NCGM075EGA3  
NCGM100EHA3  
NCGM125EKA3

GCK050N12C3  
GCK075N12C3  
GCK100N16C3  
GCK125N20C3



# Condensing Gas Furnace



Manufactured by:  
**International Comfort Products Corporation (USA)**  
Lewisburg, TN USA 37091



**Save This Manual For Future Reference**

THIS DATA IS SUBJECT TO CHANGE WITHOUT NOTICE

Manufacturers Number (Mfr No -See Rating Plate)				NTGM050EF/GNK050N12A																											
Specifications				Circulation Air Blower Data																											
GENERAL	Gas Type	Nat	LP	Type & Size	10-8	Filt Type	Washable																								
	Input (Btuh) Std/Alt.	50,000	50,000		Motor Amps/RPM			4.6/1050	Filt Size (")	16x25x1																					
GAS & IGNITION	Output (Btuh) Std/Alt.	45,500	45,500	Motor Type/ H.P.	PSC/1/3	Min. Cool	1.5																								
	Temp. Rise (°F)	40-70	40-70	Cap. MFD/Volts	5/370	Max. Cool																									
	Electrical (Volts/Hz/FLA)	115/60/5.3	115/60/5.3			Cap. (Tons)		3																							
	Transformer Size (VA)	40	40																												
COMBUSTION	T'stat Heat Anticipator	.30	.30	Air Delivery in Cubic Feet per Minute (C.F.M.) (Furnace Rated @0.5" WC ESP)																											
	Gas Valve	HW SV9500	HW SV9500	External Static Pressure Inches of W.C.	.10	.20	.30	.40	.50	.60	.70	TAP	LOW	MED L	MED H	HIGH															
	Regulation Type	SNAP	SNAP																												
Manifold Press. (Inch's WC)	3.5	10.0																													
LIMITS & CONTROLS	Std. Main Orifices (No/Size)	2/#42	2/#54	Air Delivery in Liters Per Second (L/S) (Furnace Rated @0.5" WC ESP)																											
	Pilot Orifice Size	.018	.011	External Static Pressure Inches of W.C.													.10	.20	.30	.40	.50	.60	.70	TAP	LOW	MED L	MED H	HIGH			
Ignition Type/Series	HW HSP	HW HSP																													
COMBUSTION	Lock-Out Time	---	---	Air Delivery in Liters Per Second (L/S) (Furnace Rated @0.5" WC ESP)																											
	Flue Outlet Size (Inches)	2	2	External Static Pressure Inches of W.C.	.10	.20	.30	.40	.50	.60	.70	TAP	LOW	MED L	MED H	HIGH															
Std. Outlet Temp (°F)	<140	<140																													
LIMITS & CONTROLS	Comb. Blower (MFD/Volts)	4/250	4/250	Air Delivery in Liters Per Second (L/S) (Furnace Rated @0.5" WC ESP)																											
	Std. Pressures (Inch's of WC)	@Blower	@Burner Box	Differential																									External Static Pressure Inches of W.C.	.10	.20
5' No Elbows	-2.30	-.10	-2.4																												
LIMITS & CONTROLS	Rollout Switch	250	250	Air Delivery in Liters Per Second (L/S) (Furnace Rated @0.5" WC ESP)																											
	Limit Control Setting (°F)	160	160	External Static Pressure Inches of W.C.													.10	.20	.30	.40	.50	.60	.70	TAP	LOW	MED L	MED H	HIGH			
Auxiliary Limit (°F)	130	130																													
LIMITS & CONTROLS	Fan Control (Type)	HW ST9120	HW ST9120	Air Delivery in Liters Per Second (L/S) (Furnace Rated @0.5" WC ESP)																											
	Fan Control On	60	60	External Static Pressure Inches of W.C.	.10	.20	.30	.40	.50	.60	.70	TAP	LOW	MED L	MED H	HIGH															
Fan Control Off	60,90,120,150	60,90,120,150																													
LIMITS & CONTROLS	Std. Pressure Sw. (Part No)	1010895	1010895	Air Delivery in Liters Per Second (L/S) (Furnace Rated @0.5" WC ESP)																											
	Press Differential (Close)	1.62	1.62	External Static Pressure Inches of W.C.																									.10	.20	.30
Press Differential (Open)	1.38	1.38																													
LIMITS & CONTROLS	High Alt. Press. Sw (Part No)	1008817	1008817	Air Delivery in Liters Per Second (L/S) (Furnace Rated @0.5" WC ESP)																											
	Press Differential (Close)	1.40	1.40	External Static Pressure Inches of W.C.													.10	.20	.30	.40	.50	.60	.70	TAP	LOW	MED L	MED H	HIGH			
Press Differential (Open)	1.18	1.18																													

THIS DATA IS SUBJECT TO CHANGE WITHOUT NOTICE

Manufacturers Number (Mfr No -See Rating Plate)				NTGM075EG/GNK075N14A																											
Specifications				Circulation Air Blower Data																											
GENERAL	Gas Type	Nat	LP	Type & Size	10-8	Filt Type	Washable																								
	Input (Btuh) Std/Alt.	75,000	75,000		Motor Amps/RPM			6.8/1050	Filt Size (")	16x25x1																					
GAS & IGNITION	Output (Btuh) Std/Alt.	67,500	67,500	Motor Type/ H.P.	PSC/1/2	Min. Cool	2																								
	Temp. Rise (°F)	40-70	40-70	Cap. MFD/Volts	7.5/370	Max. Cool																									
	Electrical (Volts/Hz/FLA)	115/60/7.5	115/60/7.5			Cap. (Tons)		3.5																							
	Transformer Size (VA)	40	40																												
COMBUSTION	T'stat Heat Anticipator	.30	.30	Air Delivery in Cubic Feet per Minute (C.F.M.) (Furnace Rated @0.5" WC ESP)																											
	Gas Valve	HW SV9500	HW SV9500	External Static Pressure Inches of W.C.	.10	.20	.30	.40	.50	.60	.70	TAP	LOW	MED L	MED H	HIGH															
	Regulation Type	SNAP	SNAP																												
Manifold Press. (Inch's WC)	3.5	10.0																													
LIMITS & CONTROLS	Std. Main Orifices (No/Size)	3/#42	3/#54	Air Delivery in Liters Per Second (L/S) (Furnace Rated @0.5" WC ESP)																											
	Pilot Orifice Size	.018	.011	External Static Pressure Inches of W.C.													.10	.20	.30	.40	.50	.60	.70	TAP	LOW	MED L	MED H	HIGH			
Ignition Type/Series	HW HSP	HW HSP																													
COMBUSTION	Lock-Out Time	---	---	Air Delivery in Liters Per Second (L/S) (Furnace Rated @0.5" WC ESP)																											
	Flue Outlet Size (Inches)	2,2 1/2,3	2,2 1/2,3	External Static Pressure Inches of W.C.	.10	.20	.30	.40	.50	.60	.70	TAP	LOW	MED L	MED H	HIGH															
Std. Outlet Temp (°F)	<140	<140																													
LIMITS & CONTROLS	Comb. Blower (MFD/Volts)	4/250	4/250	Air Delivery in Liters Per Second (L/S) (Furnace Rated @0.5" WC ESP)																											
	Std. Pressures (Inch's of WC)	@Blower	@Burner Box	Differential																									External Static Pressure Inches of W.C.	.10	.20
5' No Elbows	-2.30	-.10	-2.2																												
LIMITS & CONTROLS	Rollout Switch	200	200	Air Delivery in Liters Per Second (L/S) (Furnace Rated @0.5" WC ESP)																											
	Limit Control Setting (°F)	190	190	External Static Pressure Inches of W.C.													.10	.20	.30	.40	.50	.60	.70	TAP	LOW	MED L	MED H	HIGH			
Auxiliary Limit (°F)	130	130																													
LIMITS & CONTROLS	Fan Control (Type)	HW ST9120	HW ST9120	Air Delivery in Liters Per Second (L/S) (Furnace Rated @0.5" WC ESP)																											
	Fan Control On	60	60	External Static Pressure Inches of W.C.	.10	.20	.30	.40	.50	.60	.70	TAP	LOW	MED L	MED H	HIGH															
Fan Control Off	60,90,120,150	60,90,120,150																													
LIMITS & CONTROLS	Std. Pressure Sw. (Part No)	1010895	1010895	Air Delivery in Liters Per Second (L/S) (Furnace Rated @0.5" WC ESP)																											
	Press Differential (Close)	1.62	1.62	External Static Pressure Inches of W.C.																									.10	.20	.30
Press Differential (Open)	1.38	1.38																													
LIMITS & CONTROLS	High Alt. Press. Sw (Part No)	1008817	1008817	Air Delivery in Liters Per Second (L/S) (Furnace Rated @0.5" WC ESP)																											
	Press Differential (Close)	1.40	1.40	External Static Pressure Inches of W.C.													.10	.20	.30	.40	.50	.60	.70	TAP	LOW	MED L	MED H	HIGH			
Press Differential (Open)	1.18	1.18																													

THIS DATA IS SUBJECT TO CHANGE WITHOUT NOTICE

Manufacturers Number (Mfr No -See Rating Plate)				NTGM100EH/GNK100N16A																																													
Specifications				Circulation Air Blower Data																																													
GENERAL	Gas Type	Nat	LP	Type & Size	10-10	Filt Type	Washable																																										
	Input (Btuh) Std/Alt.	100,000	100,000					Motor Amps/RPM	8.5/1050	Filt Size (")	16x25x1																																						
GAS & IGNITION	Output (Btuh) Std/Alt.	90,000	90,000	Motor Type/ H.P.	PSC/1/2	Min. Cool	2																																										
	Temp. Rise (°F)	40-70	40-70	Cap. MFD/Volts	10/370	Max. Cool		4																																									
COMBUSTION	Electrical (Volts/Hz/FLA)	115/60/9.2	115/60/9.2	<b>Air Delivery in Cubic Feet per Minute (C.F.M.)</b>																																													
	Transformer Size (VA)	40	40	(Furnace Rated @0.5" WC ESP)																																													
LIMITS & CONTROLS	T'stat Heat Anticipator	.30	.30	External Static Pressure	Inches of W.C.	<table border="1"> <thead> <tr> <th>TAP</th> <th>LOW</th> <th>MED L</th> <th>MED H</th> <th>HIGH</th> </tr> </thead> <tbody> <tr><td>.10</td><td>954</td><td>1312</td><td>1698</td><td>1925</td></tr> <tr><td>.20</td><td>950</td><td>1292</td><td>1645</td><td>1853</td></tr> <tr><td>.30</td><td>946</td><td>1265</td><td>1596</td><td>1780</td></tr> <tr><td>.40</td><td>915</td><td>1231</td><td>1530</td><td>1708</td></tr> <tr><td>.50</td><td>878</td><td>1175</td><td>1455</td><td>1638</td></tr> <tr><td>.60</td><td>830</td><td>1118</td><td>1362</td><td>1546</td></tr> <tr><td>.70</td><td>778</td><td>1020</td><td>1241</td><td>1435</td></tr> </tbody> </table>			TAP	LOW	MED L	MED H	HIGH	.10	954	1312	1698	1925	.20	950	1292	1645	1853	.30	946	1265	1596	1780	.40	915	1231	1530	1708	.50	878	1175	1455	1638	.60	830	1118	1362	1546	.70	778	1020	1241	1435	
	TAP	LOW	MED L			MED H	HIGH																																										
.10	954	1312	1698	1925																																													
.20	950	1292	1645	1853																																													
.30	946	1265	1596	1780																																													
.40	915	1231	1530	1708																																													
.50	878	1175	1455	1638																																													
.60	830	1118	1362	1546																																													
.70	778	1020	1241	1435																																													
GAS & IGNITION	Gas Valve	HW SV9500	HW SV9500	Air Delivery in Liters Per Second (L/S)	Inches of W.C.	<table border="1"> <thead> <tr> <th>TAP</th> <th>LOW</th> <th>MED L</th> <th>MED H</th> <th>HIGH</th> </tr> </thead> <tbody> <tr><td>.10</td><td>450</td><td>619</td><td>801</td><td>908</td></tr> <tr><td>.20</td><td>448</td><td>610</td><td>776</td><td>874</td></tr> <tr><td>.30</td><td>446</td><td>597</td><td>753</td><td>840</td></tr> <tr><td>.40</td><td>432</td><td>581</td><td>722</td><td>806</td></tr> <tr><td>.50</td><td>414</td><td>555</td><td>687</td><td>773</td></tr> <tr><td>.60</td><td>392</td><td>528</td><td>643</td><td>730</td></tr> <tr><td>.70</td><td>367</td><td>481</td><td>586</td><td>677</td></tr> </tbody> </table>				TAP	LOW	MED L	MED H	HIGH	.10	450	619	801	908	.20	448	610	776	874	.30	446	597	753	840	.40	432	581	722	806	.50	414	555	687	773	.60	392	528	643	730	.70	367	481	586	677
	TAP	LOW	MED L			MED H	HIGH																																										
.10	450	619	801	908																																													
.20	448	610	776	874																																													
.30	446	597	753	840																																													
.40	432	581	722	806																																													
.50	414	555	687	773																																													
.60	392	528	643	730																																													
.70	367	481	586	677																																													
GAS & IGNITION	Regulation Type	SNAP	SNAP	COMBUSTION	Std. Pressures (Inch's of WC)	@Blower	@Burner Box	Differential																																									
	Manifold Press. (Inch's WC)	3.5	10.0						5' No Elbows	-2.40	-1.10	-2.3																																					
LIMITS & CONTROLS	Std. Main Orifices (No/Size)	4/#42	4/#54	40' +5-90° DWV Elbows	-1.98	-1.20	-1.78	Rollout Switch																																									
	Pilot Orifice Size	.018	.011						Limit Control Setting (°F)	180																																							
LIMITS & CONTROLS	Ignition Type/Series	HW HSP	HW HSP	Auxiliary Limit (°F)	130	Fan Control (Type)	HW ST9120	HW ST9120																																									
	Lock-Out Time	---	---	Fan Control On	60																																												
LIMITS & CONTROLS	Flue Outlet Size (Inches)	2,2 <sup>1</sup> / <sub>2</sub> ,3	2,2 <sup>1</sup> / <sub>2</sub> ,3	Fan Control Off	60,90,120,150	Std. Pressure Sw. (Part No)	1010895	1010895																																									
	Std. Outlet Temp (°F)	<140	<140	Press Differential (Close)	1.62	1.62	Press Differential (Open)	1.38																																									
LIMITS & CONTROLS	Comb. Blower (MFD/Volts)	4/250	4/250	High Alt. Press. Sw (Part No)	1008817	1008817	Press Differential (Close)	1.40																																									
	Std. Pressures (Inch's of WC)			Press Differential (Open)	1.18	1.18																																											

THIS DATA IS SUBJECT TO CHANGE WITHOUT NOTICE

Manufacturers Number (Mfr No -See Rating Plate)				NTGM125EK/GNK125N20A																																													
Specifications				Circulation Air Blower Data																																													
GENERAL	Gas Type	Nat	LP	Type & Size	11.8-10.6	Filt Type	Washable																																										
	Input (Btuh) Std/Alt.	125,000	125,000					Motor Amps/RPM	9.8/900	Filt Size (")	(2)16x25																																						
GAS & IGNITION	Output (Btuh) Std/Alt.	113,125	113,125	Motor Type/ H.P.	PSC/3/4	Min. Cool	3.5																																										
	Temp. Rise (°F)	45-75	45-75	Cap. MFD/Volts	10/370	Max. Cool		5																																									
COMBUSTION	Electrical (Volts/Hz/FLA)	115/60/10.5	115/60/12.0	<b>Air Delivery in Cubic Feet per Minute (C.F.M.)</b>																																													
	Transformer Size (VA)	40	40	(Furnace Rated @0.5" WC ESP)																																													
LIMITS & CONTROLS	T'stat Heat Anticipator	.30	.30	External Static Pressure	Inches of W.C.	<table border="1"> <thead> <tr> <th>TAP</th> <th>LOW</th> <th>MED L</th> <th>MED H</th> <th>HIGH</th> </tr> </thead> <tbody> <tr><td>.10</td><td>1463</td><td>1650</td><td>1879</td><td>2214</td></tr> <tr><td>.20</td><td>1429</td><td>1635</td><td>1859</td><td>2154</td></tr> <tr><td>.30</td><td>1417</td><td>1614</td><td>1838</td><td>2152</td></tr> <tr><td>.40</td><td>1389</td><td>1579</td><td>1806</td><td>2106</td></tr> <tr><td>.50</td><td>1364</td><td>1556</td><td>1773</td><td>2049</td></tr> <tr><td>.60</td><td>1339</td><td>1513</td><td>1725</td><td>1981</td></tr> <tr><td>.70</td><td>1299</td><td>1470</td><td>1668</td><td>1903</td></tr> </tbody> </table>			TAP	LOW	MED L	MED H	HIGH	.10	1463	1650	1879	2214	.20	1429	1635	1859	2154	.30	1417	1614	1838	2152	.40	1389	1579	1806	2106	.50	1364	1556	1773	2049	.60	1339	1513	1725	1981	.70	1299	1470	1668	1903	
	TAP	LOW	MED L			MED H	HIGH																																										
.10	1463	1650	1879	2214																																													
.20	1429	1635	1859	2154																																													
.30	1417	1614	1838	2152																																													
.40	1389	1579	1806	2106																																													
.50	1364	1556	1773	2049																																													
.60	1339	1513	1725	1981																																													
.70	1299	1470	1668	1903																																													
GAS & IGNITION	Gas Valve	HW SV9500	HW SV9500	Air Delivery in Liters Per Second (L/S)	Inches of W.C.	<table border="1"> <thead> <tr> <th>TAP</th> <th>LOW</th> <th>MED L</th> <th>MED H</th> <th>HIGH</th> </tr> </thead> <tbody> <tr><td>.10</td><td>690</td><td>779</td><td>887</td><td>1045</td></tr> <tr><td>.20</td><td>674</td><td>772</td><td>877</td><td>1017</td></tr> <tr><td>.30</td><td>669</td><td>762</td><td>867</td><td>1016</td></tr> <tr><td>.40</td><td>656</td><td>745</td><td>852</td><td>994</td></tr> <tr><td>.50</td><td>644</td><td>734</td><td>837</td><td>967</td></tr> <tr><td>.60</td><td>632</td><td>714</td><td>814</td><td>935</td></tr> <tr><td>.70</td><td>613</td><td>694</td><td>787</td><td>898</td></tr> </tbody> </table>				TAP	LOW	MED L	MED H	HIGH	.10	690	779	887	1045	.20	674	772	877	1017	.30	669	762	867	1016	.40	656	745	852	994	.50	644	734	837	967	.60	632	714	814	935	.70	613	694	787	898
	TAP	LOW	MED L			MED H	HIGH																																										
.10	690	779	887	1045																																													
.20	674	772	877	1017																																													
.30	669	762	867	1016																																													
.40	656	745	852	994																																													
.50	644	734	837	967																																													
.60	632	714	814	935																																													
.70	613	694	787	898																																													
COMBUSTION	Regulation Type	SNAP	SNAP	COMBUSTION	Std. Pressures (Inch's of WC)	@Blower	@Burner Box	Differential																																									
	Manifold Press. (Inch's WC)	3.5	10.0						5' No Elbows	-2.40	-1.17	-2.23																																					
LIMITS & CONTROLS	Std. Main Orifices (No/Size)	5/#42	5/#54	40' +5-90° DWV Elbows	-2.16	-1.20	-1.86	Rollout Switch																																									
	Pilot Orifice Size	.018	.011						Limit Control Setting (°F)	190																																							
LIMITS & CONTROLS	Ignition Type/Series	HSP	HSP	Auxiliary Limit (°F)	130	Fan Control (Type)	HW ST9120	HW ST9120																																									
	Lock-Out Time	---	---	Fan Control On	60																																												
LIMITS & CONTROLS	Flue Outlet Size (Inches)	3	3	Fan Control Off	60,90,120,150	Std. Pressure Sw. (Part No)	1010895	1010895																																									
	Std. Outlet Temp (°F)	<140	<140	Press Differential (Close)	1.62	1.62	Press Differential (Open)	1.38																																									
LIMITS & CONTROLS	Comb. Blower (MFD/Volts)	4/250	4/250	High Alt. Press. Sw (Part No)	1008817	1008817	Press Differential (Close)	1.40																																									
	Std. Pressures (Inch's of WC)			Press Differential (Open)	1.18	1.18																																											

THIS DATA IS SUBJECT TO CHANGE WITHOUT NOTICE

Manufacturers Number (Mfr No -See Rating Plate)				NCGM050EFA3/GCK050N12C3																																																																																			
Specifications				Circulation Air Blower Data																																																																																			
GENERAL	Gas Type	Nat	LP	Type & Size	10-8	Filt Type	Washable																																																																																
	Input (Btuh) Std/Alt.	50,000	50,000					Motor Amps/RPM	4.6/1050	Filt Size (")	(2)16x18"																																																																												
GAS & IGNITION	Output (Btuh) Std/Alt.	45,500	45,500	Motor Type/ H.P.	PSC/1/3	Min. Cool	1.5																																																																																
	Temp. Rise (°F)	40-70	40-70	Cap. MFD/Volts	5/370	Max. Cool																																																																																	
	Electrical (Volts/Hz/FLA)	115/60/5.3	115/60/5.3			Cap. (Tons)		3																																																																															
	Transformer Size (VA)	40	40																																																																																				
COMBUSTION	T'stat Heat Anticipator	.30	.30	<b>Air Delivery in Cubic Feet per Minute (C.F.M.)</b> (Furnace Rated @0.5" WC ESP) <table border="1"> <thead> <tr> <th>TAP</th> <th>LOW</th> <th>MED L</th> <th>MED H</th> <th>HIGH</th> </tr> </thead> <tbody> <tr><td>.10</td><td>718</td><td>840</td><td>1109</td><td>1473</td></tr> <tr><td>.20</td><td>719</td><td>838</td><td>1094</td><td>1431</td></tr> <tr><td>.30</td><td>714</td><td>837</td><td>1086</td><td>1396</td></tr> <tr><td>.40</td><td>692</td><td>819</td><td>1063</td><td>1349</td></tr> <tr><td>.50</td><td>660</td><td>791</td><td>1027</td><td>1291</td></tr> <tr><td>.60</td><td>615</td><td>752</td><td>986</td><td>1222</td></tr> <tr><td>.70</td><td>563</td><td>683</td><td>934</td><td>1141</td></tr> </tbody> </table> <b>Air Delivery in Liters Per Second (L/S)</b> (Furnace Rated @0.5" WC ESP) <table border="1"> <thead> <tr> <th>TAP</th> <th>LOW</th> <th>MED L</th> <th>MED H</th> <th>HIGH</th> </tr> </thead> <tbody> <tr><td>.10</td><td>339</td><td>396</td><td>523</td><td>695</td></tr> <tr><td>.20</td><td>339</td><td>395</td><td>516</td><td>675</td></tr> <tr><td>.30</td><td>337</td><td>395</td><td>513</td><td>659</td></tr> <tr><td>.40</td><td>327</td><td>387</td><td>502</td><td>637</td></tr> <tr><td>.50</td><td>311</td><td>373</td><td>485</td><td>609</td></tr> <tr><td>.60</td><td>290</td><td>355</td><td>465</td><td>577</td></tr> <tr><td>.70</td><td>266</td><td>322</td><td>441</td><td>538</td></tr> </tbody> </table>				TAP	LOW	MED L	MED H	HIGH	.10	718	840	1109	1473	.20	719	838	1094	1431	.30	714	837	1086	1396	.40	692	819	1063	1349	.50	660	791	1027	1291	.60	615	752	986	1222	.70	563	683	934	1141	TAP	LOW	MED L	MED H	HIGH	.10	339	396	523	695	.20	339	395	516	675	.30	337	395	513	659	.40	327	387	502	637	.50	311	373	485	609	.60	290	355	465	577	.70	266	322	441	538
	TAP	LOW	MED L					MED H	HIGH																																																																														
	.10	718	840					1109	1473																																																																														
.20	719	838	1094					1431																																																																															
.30	714	837	1086					1396																																																																															
.40	692	819	1063					1349																																																																															
.50	660	791	1027					1291																																																																															
.60	615	752	986					1222																																																																															
.70	563	683	934					1141																																																																															
TAP	LOW	MED L	MED H					HIGH																																																																															
.10	339	396	523	695																																																																																			
.20	339	395	516	675																																																																																			
.30	337	395	513	659																																																																																			
.40	327	387	502	637																																																																																			
.50	311	373	485	609																																																																																			
.60	290	355	465	577																																																																																			
.70	266	322	441	538																																																																																			
LIMITS & CONTROLS	Gas Valve	HW SV9500	HW SV9500	External Static Pressure	Inches of W.C.																																																																																		
	Regulation Type	SNAP	SNAP																																																																																				
LIMITS & CONTROLS	Manifold Press. (Inch's WC)	3.5	10.0	Inches of W.C.																																																																																			
	Std. Main Orifices (No/Size)	2/#42	2/#54																																																																																				
LIMITS & CONTROLS	Pilot Orifice Size	.018	.011	Inches of W.C.																																																																																			
	Ignition Type/Series	HW HSP	HW HSP																																																																																				
LIMITS & CONTROLS	Lock-Out Time	---	---	Inches of W.C.																																																																																			
	Flue Outlet Size (Inches)	2	2																																																																																				
LIMITS & CONTROLS	Std. Outlet Temp (°F)	<140	<140	Inches of W.C.																																																																																			
	Comb. Blower (MFD/Volts)	4/250	4/250																																																																																				
LIMITS & CONTROLS	Std. Pressures (Inch's of WC)	@Blower	@Burner Box	Inches of W.C.																																																																																			
	5' No Elbows	-2.30	-.10													Differential	-2.4																																																																						
LIMITS & CONTROLS	40' +5-90° DWV Elbows	-2.20	-.20	Inches of W.C.																																																																																			
	Rollout Switch (°F)	250	250																																																																																				
LIMITS & CONTROLS	Limit Control Setting (°F)	240	240	Inches of W.C.																																																																																			
	Auxiliary Limit (°F)	120	120																																																																																				
LIMITS & CONTROLS	Fan Control (Type)	HW ST9120	HW ST9120	Inches of W.C.																																																																																			
	Fan Control On	30/60	30/60																																																																																				
LIMITS & CONTROLS	Fan Control (Timed-Secs) Off	60,100,140,180	60,100,140,180	Inches of W.C.																																																																																			
	Std. Pressure Sw. (Part No)	1008944	1008944																																																																																				
LIMITS & CONTROLS	Press Differential (Close)	1.62	1.62	Inches of W.C.																																																																																			
	Press Differential (Open)	1.38	1.38																																																																																				
LIMITS & CONTROLS	High Alt. Press. Sw (Part No)	1008945	1008945	Inches of W.C.																																																																																			
	Press Differential (Close)	1.40	1.40																																																																																				
LIMITS & CONTROLS	Press Differential (Open)	1.18	1.18	Inches of W.C.																																																																																			

THIS DATA IS SUBJECT TO CHANGE WITHOUT NOTICE

Manufacturers Number (Mfr No -See Rating Plate)				NCGM075EGA3/GCK075N12C3																																																																																			
Specifications				Circulation Air Blower Data																																																																																			
GENERAL	Gas Type	Nat	LP	Type & Size	10-8	Filt Type	Washable																																																																																
	Input (Btuh) Std/Alt.	75,000	75,000					Motor Amps/RPM	6.8/1050	Filt Size (")	(2)16x18"																																																																												
GAS & IGNITION	Output (Btuh) Std/Alt.	67,500	67,500	Motor Type/ H.P.	PSC/1/2	Min. Cool	2																																																																																
	Temp. Rise (°F)	40-70	40-70	Cap. MFD/Volts	7.5/370	Max. Cool																																																																																	
	Electrical (Volts/Hz/FLA)	115/60/7.5	115/60/7.5			Cap. (Tons)		3																																																																															
	Transformer Size (VA)	40	40																																																																																				
COMBUSTION	T'stat Heat Anticipator	.30	.30	<b>Air Delivery in Cubic Feet per Minute (C.F.M.)</b> (Furnace Rated @0.5" WC ESP) <table border="1"> <thead> <tr> <th>TAP</th> <th>LOW</th> <th>MED L</th> <th>MED H</th> <th>HIGH</th> </tr> </thead> <tbody> <tr><td>.10</td><td>778</td><td>984</td><td>1263</td><td>1576</td></tr> <tr><td>.20</td><td>786</td><td>1003</td><td>1249</td><td>1532</td></tr> <tr><td>.30</td><td>790</td><td>1003</td><td>1244</td><td>1489</td></tr> <tr><td>.40</td><td>788</td><td>1001</td><td>1215</td><td>1432</td></tr> <tr><td>.50</td><td>781</td><td>982</td><td>1186</td><td>1371</td></tr> <tr><td>.60</td><td>765</td><td>962</td><td>1146</td><td>1308</td></tr> <tr><td>.70</td><td>743</td><td>923</td><td>1094</td><td>1229</td></tr> </tbody> </table> <b>Air Delivery in Liters Per Second (L/S)</b> (Furnace Rated @0.5" WC ESP) <table border="1"> <thead> <tr> <th>TAP</th> <th>LOW</th> <th>MED L</th> <th>MED H</th> <th>HIGH</th> </tr> </thead> <tbody> <tr><td>.10</td><td>367</td><td>464</td><td>596</td><td>744</td></tr> <tr><td>.20</td><td>371</td><td>473</td><td>589</td><td>723</td></tr> <tr><td>.30</td><td>373</td><td>473</td><td>587</td><td>703</td></tr> <tr><td>.40</td><td>372</td><td>472</td><td>573</td><td>676</td></tr> <tr><td>.50</td><td>369</td><td>463</td><td>560</td><td>647</td></tr> <tr><td>.60</td><td>361</td><td>454</td><td>541</td><td>617</td></tr> <tr><td>.70</td><td>351</td><td>436</td><td>516</td><td>580</td></tr> </tbody> </table>				TAP	LOW	MED L	MED H	HIGH	.10	778	984	1263	1576	.20	786	1003	1249	1532	.30	790	1003	1244	1489	.40	788	1001	1215	1432	.50	781	982	1186	1371	.60	765	962	1146	1308	.70	743	923	1094	1229	TAP	LOW	MED L	MED H	HIGH	.10	367	464	596	744	.20	371	473	589	723	.30	373	473	587	703	.40	372	472	573	676	.50	369	463	560	647	.60	361	454	541	617	.70	351	436	516	580
	TAP	LOW	MED L					MED H	HIGH																																																																														
	.10	778	984					1263	1576																																																																														
.20	786	1003	1249					1532																																																																															
.30	790	1003	1244					1489																																																																															
.40	788	1001	1215					1432																																																																															
.50	781	982	1186					1371																																																																															
.60	765	962	1146					1308																																																																															
.70	743	923	1094					1229																																																																															
TAP	LOW	MED L	MED H					HIGH																																																																															
.10	367	464	596	744																																																																																			
.20	371	473	589	723																																																																																			
.30	373	473	587	703																																																																																			
.40	372	472	573	676																																																																																			
.50	369	463	560	647																																																																																			
.60	361	454	541	617																																																																																			
.70	351	436	516	580																																																																																			
LIMITS & CONTROLS	Gas Valve	HW SV9500	HW SV9500	External Static Pressure	Inches of W.C.																																																																																		
	Regulation Type	SNAP	SNAP																																																																																				
LIMITS & CONTROLS	Manifold Press. (Inch's WC)	3.5	10.0	Inches of W.C.																																																																																			
	Std. Main Orifices (No/Size)	3/#42	3/#54																																																																																				
LIMITS & CONTROLS	Pilot Orifice Size	.018	.011	Inches of W.C.																																																																																			
	Ignition Type/Series	HW HSP	HW HSP																																																																																				
LIMITS & CONTROLS	Lock-Out Time	---	---	Inches of W.C.																																																																																			
	Flue Outlet Size (Inches)	2,2 1/2,3	2,2 1/2,3																																																																																				
LIMITS & CONTROLS	Std. Outlet Temp (°F)	<140	<140	Inches of W.C.																																																																																			
	Comb. Blower (MFD/Volts)	4/250	4/250																																																																																				
LIMITS & CONTROLS	Std. Pressures (Inch's of WC)	@Blower	@Burner Box	Inches of W.C.																																																																																			
	5' No Elbows	-2.3	-.10													Differential	-2.2																																																																						
LIMITS & CONTROLS	40' +5-90° DWV Elbows	-2.05	-.15	Inches of W.C.																																																																																			
	Rollout Switch	200	200																																																																																				
LIMITS & CONTROLS	Limit Control Setting (°F)	180	180	Inches of W.C.																																																																																			
	Auxiliary Limit (°F)	130	130																																																																																				
LIMITS & CONTROLS	Fan Control (Type)	HW ST9120	HW ST9120	Inches of W.C.																																																																																			
	Fan Control On	30/60	30/60																																																																																				
LIMITS & CONTROLS	Fan Control (Timed-Secs) Off	60,100,140,180	60,100,140,180	Inches of W.C.																																																																																			
	Std. Pressure Sw. (Part No)	1008944	1008819																																																																																				
LIMITS & CONTROLS	Press Differential (Close)	1.62	1.62	Inches of W.C.																																																																																			
	Press Differential (Open)	1.38	1.38																																																																																				
LIMITS & CONTROLS	High Alt. Press. Sw (Part No)	1008945	1008945	Inches of W.C.																																																																																			
	Press Differential (Close)	1.40	1.40																																																																																				
LIMITS & CONTROLS	Press Differential (Open)	1.18	1.18	Inches of W.C.																																																																																			

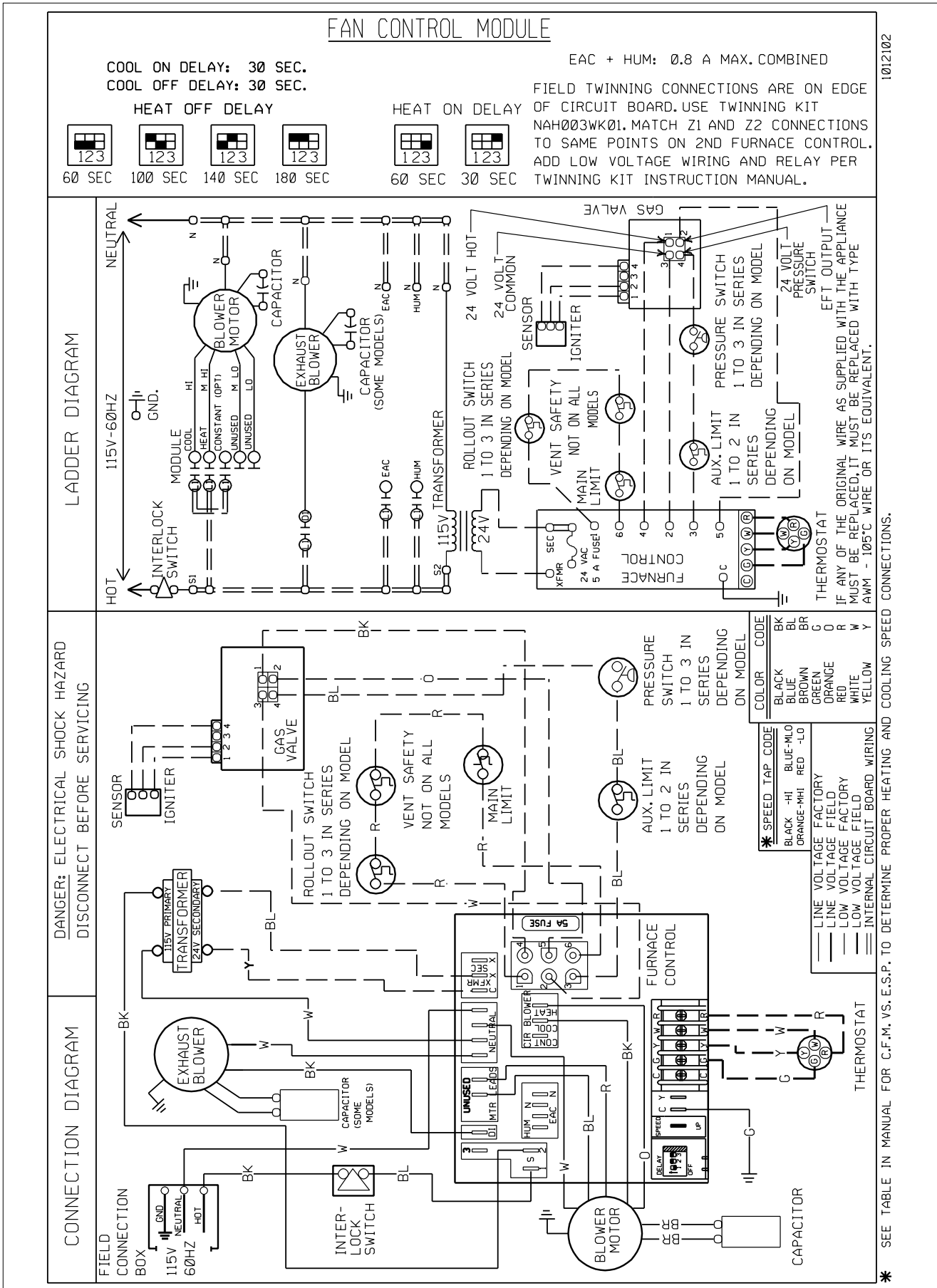
THIS DATA IS SUBJECT TO CHANGE WITHOUT NOTICE

Manufacturers Number (Mfr No -See Rating Plate)				NCGM100EHA3/GCK100N16C3																																													
Specifications				Circulation Air Blower Data																																													
GENERAL	Gas Type	Nat	LP	Type & Size	10-10	Filt Type	Washable																																										
	Input (Btuh) Std/Alt.	100,000	100,000		Motor Amps/RPM			8.5/1050	Filt Size (")	(2)16x18"																																							
GAS & IGNITION	Output (Btuh) Std/Alt.	90,000	90,000	Motor Type/ H.P.	PSC/1/2	Min. Cool	2																																										
	Temp. Rise (°F)	40-70	40-70	Cap. MFD/Volts	10/370	Cap. (Tons)																																											
	Electrical (Volts/Hz/FLA)	115/60/9.2	115/60/9.2			Max. Cool																																											
	Transformer Size (VA)	40	40			Cap. (Tons)		4																																									
COMBUSTION	T'stat Heat Anticipator	.30	.30	<b>Air Delivery in Cubic Feet per Minute (C.F.M.)</b> (Furnace Rated @0.5" WC ESP)																																													
	Gas Valve	HW SV9500	HW SV9500																																														
	Regulation Type	SNAP	SNAP																																														
LIMITS & CONTROLS	Manifold Press. (Inch's WC)	3.5	10.0	External Static Pressure Inches of W.C.	<table border="1"> <thead> <tr> <th>TAP</th> <th>LOW</th> <th>MED L</th> <th>MED H</th> <th>HIGH</th> </tr> </thead> <tbody> <tr><td>.10</td><td>954</td><td>1312</td><td>1698</td><td>1925</td></tr> <tr><td>.20</td><td>950</td><td>1292</td><td>1645</td><td>1853</td></tr> <tr><td>.30</td><td>946</td><td>1265</td><td>1596</td><td>1780</td></tr> <tr><td>.40</td><td>915</td><td>1231</td><td>1530</td><td>1708</td></tr> <tr><td>.50</td><td>878</td><td>1175</td><td>1455</td><td>1638</td></tr> <tr><td>.60</td><td>830</td><td>1118</td><td>1362</td><td>1546</td></tr> <tr><td>.70</td><td>778</td><td>1020</td><td>1241</td><td>1435</td></tr> </tbody> </table>					TAP	LOW	MED L	MED H	HIGH	.10	954	1312	1698	1925	.20	950	1292	1645	1853	.30	946	1265	1596	1780	.40	915	1231	1530	1708	.50	878	1175	1455	1638	.60	830	1118	1362	1546	.70	778	1020	1241	1435
	TAP	LOW	MED L		MED H	HIGH																																											
	.10	954	1312		1698	1925																																											
	.20	950	1292		1645	1853																																											
.30	946	1265	1596	1780																																													
.40	915	1231	1530	1708																																													
.50	878	1175	1455	1638																																													
.60	830	1118	1362	1546																																													
.70	778	1020	1241	1435																																													
Std. Main Orifices (No/Size)	4/#42	4/#54																																															
Pilot Orifice Size	.018	.011																																															
Ignition Type/Series	HW HSP	HW HSP																																															
Lock-Out Time	---	---																																															
COMBUSTION	Flue Outlet Size (Inches)	2.2 <sup>1</sup> / <sub>2</sub> ,3	2.2 <sup>1</sup> / <sub>2</sub> ,3	External Static Pressure Inches of W.C.	<table border="1"> <thead> <tr> <th>TAP</th> <th>LOW</th> <th>MED L</th> <th>MED H</th> <th>HIGH</th> </tr> </thead> <tbody> <tr><td>.10</td><td>450</td><td>619</td><td>801</td><td>908</td></tr> <tr><td>.20</td><td>448</td><td>610</td><td>776</td><td>874</td></tr> <tr><td>.30</td><td>446</td><td>597</td><td>753</td><td>840</td></tr> <tr><td>.40</td><td>432</td><td>581</td><td>722</td><td>806</td></tr> <tr><td>.50</td><td>414</td><td>555</td><td>687</td><td>773</td></tr> <tr><td>.60</td><td>392</td><td>528</td><td>643</td><td>730</td></tr> <tr><td>.70</td><td>367</td><td>481</td><td>586</td><td>677</td></tr> </tbody> </table>					TAP	LOW	MED L	MED H	HIGH	.10	450	619	801	908	.20	448	610	776	874	.30	446	597	753	840	.40	432	581	722	806	.50	414	555	687	773	.60	392	528	643	730	.70	367	481	586	677
	TAP	LOW	MED L		MED H	HIGH																																											
	.10	450	619		801	908																																											
.20	448	610	776	874																																													
.30	446	597	753	840																																													
.40	432	581	722	806																																													
.50	414	555	687	773																																													
.60	392	528	643	730																																													
.70	367	481	586	677																																													
Std. Outlet Temp (°F)	<140	<140																																															
Comb. Blower (MFD/Volts)	4/250	4/250																																															
LIMITS & CONTROLS	Std. Pressures (Inch's of WC)	@Blower	@Burner Box	Differential																																													
	5' No Elbows	-2.40	-.10	-2.30																																													
	40' +5-90° DWV Elbows	-1.98	-.20	-1.78																																													
	Rollout Switch(°F)	200	200																																														
LIMITS & CONTROLS	Limit Control Setting (°F)	240	240	External Static Pressure Inches of W.C.	<table border="1"> <thead> <tr> <th>TAP</th> <th>LOW</th> <th>MED L</th> <th>MED H</th> <th>HIGH</th> </tr> </thead> <tbody> <tr><td>.10</td><td>450</td><td>619</td><td>801</td><td>908</td></tr> <tr><td>.20</td><td>448</td><td>610</td><td>776</td><td>874</td></tr> <tr><td>.30</td><td>446</td><td>597</td><td>753</td><td>840</td></tr> <tr><td>.40</td><td>432</td><td>581</td><td>722</td><td>806</td></tr> <tr><td>.50</td><td>414</td><td>555</td><td>687</td><td>773</td></tr> <tr><td>.60</td><td>392</td><td>528</td><td>643</td><td>730</td></tr> <tr><td>.70</td><td>367</td><td>481</td><td>586</td><td>677</td></tr> </tbody> </table>					TAP	LOW	MED L	MED H	HIGH	.10	450	619	801	908	.20	448	610	776	874	.30	446	597	753	840	.40	432	581	722	806	.50	414	555	687	773	.60	392	528	643	730	.70	367	481	586	677
	TAP	LOW	MED L		MED H	HIGH																																											
	.10	450	619		801	908																																											
	.20	448	610		776	874																																											
.30	446	597	753	840																																													
.40	432	581	722	806																																													
.50	414	555	687	773																																													
.60	392	528	643	730																																													
.70	367	481	586	677																																													
Auxiliary Limit (°F)	130	130																																															
Fan Control (Type)	HW ST9120	HW ST9120																																															
Fan Control On	30/60	30/60																																															
(Timed -Secs) Off	60,100,140,180	60,100,140,180																																															
Std. Pressure Sw. (Part No)	1008944	1008944																																															
Press Differential (Close)	1.62	1.62																																															
Press Differential (Open)	1.38	1.38																																															
High Alt. Press. Sw (Part No)	1008945	1008945																																															
Press Differential (Close)	1.40	1.40																																															
Press Differential (Open)	1.18	1.18																																															

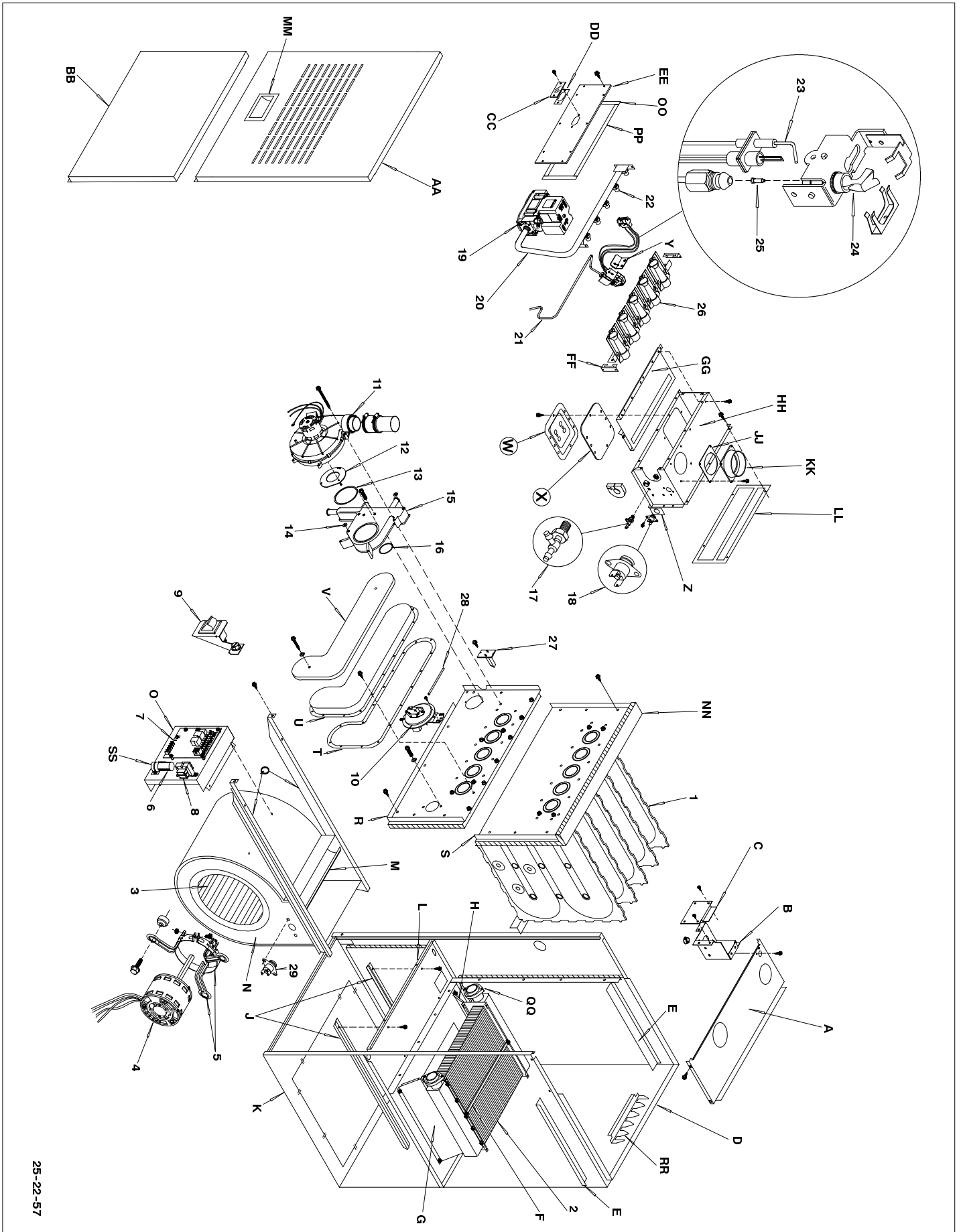
THIS DATA IS SUBJECT TO CHANGE WITHOUT NOTICE

Manufacturers Number (Mfr No -See Rating Plate)				NCGM125EKA3/GCK125N20C3																																													
Specifications				Circulation Air Blower Data																																													
GENERAL	Gas Type	Nat	LP	Type & Size	11.8-10.6	Filt Type	Washable																																										
	Input (Btuh) Std/Alt.	125,000	125,000		Motor Amps/RPM			9.8/900	Filt Size (")	(2)16x18"																																							
GAS & IGNITION	Output (Btuh) Std/Alt.	112,500	112,500	Motor Type/ H.P.	PSC/3/4	Min. Cool	3.5																																										
	Temp. Rise (°F)	45-75	45-75	Cap. MFD/Volts	10/370	Cap. (Tons)																																											
	Electrical (Volts/Hz/FLA)	115/60/10.5	115/60/12.0			Max. Cool																																											
	Transformer Size (VA)	40	40			Cap. (Tons)		5																																									
COMBUSTION	T'stat Heat Anticipator	.30	.30	<b>Air Delivery in Cubic Feet per Minute (C.F.M.)</b> (Furnace Rated @0.5" WC ESP)																																													
	Gas Valve	HW SV9500	HW SV9500																																														
	Regulation Type	SNAP	SNAP																																														
LIMITS & CONTROLS	Manifold Press. (Inch's WC)	3.5	10.0	External Static Pressure Inches of W.C.	<table border="1"> <thead> <tr> <th>TAP</th> <th>LOW</th> <th>MED L</th> <th>MED H</th> <th>HIGH</th> </tr> </thead> <tbody> <tr><td>.10</td><td>1463</td><td>1650</td><td>1879</td><td>2214</td></tr> <tr><td>.20</td><td>1429</td><td>1635</td><td>1859</td><td>2154</td></tr> <tr><td>.30</td><td>1417</td><td>1614</td><td>1838</td><td>2152</td></tr> <tr><td>.40</td><td>1389</td><td>1579</td><td>1806</td><td>2106</td></tr> <tr><td>.50</td><td>1364</td><td>1556</td><td>1773</td><td>2049</td></tr> <tr><td>.60</td><td>1339</td><td>1513</td><td>1725</td><td>1981</td></tr> <tr><td>.70</td><td>1299</td><td>1470</td><td>1668</td><td>1903</td></tr> </tbody> </table>					TAP	LOW	MED L	MED H	HIGH	.10	1463	1650	1879	2214	.20	1429	1635	1859	2154	.30	1417	1614	1838	2152	.40	1389	1579	1806	2106	.50	1364	1556	1773	2049	.60	1339	1513	1725	1981	.70	1299	1470	1668	1903
	TAP	LOW	MED L		MED H	HIGH																																											
	.10	1463	1650		1879	2214																																											
	.20	1429	1635		1859	2154																																											
.30	1417	1614	1838	2152																																													
.40	1389	1579	1806	2106																																													
.50	1364	1556	1773	2049																																													
.60	1339	1513	1725	1981																																													
.70	1299	1470	1668	1903																																													
Std. Main Orifices (No/Size)	5/#42	5/#54																																															
Pilot Orifice Size	.018	.011																																															
Ignition Type/Series	HSP	HSP																																															
Lock-Out Time	---	---																																															
COMBUSTION	Flue Outlet Size (Inches)	3	3	External Static Pressure Inches of W.C.	<table border="1"> <thead> <tr> <th>TAP</th> <th>LOW</th> <th>MED L</th> <th>MED H</th> <th>HIGH</th> </tr> </thead> <tbody> <tr><td>.10</td><td>690</td><td>779</td><td>887</td><td>1045</td></tr> <tr><td>.20</td><td>674</td><td>772</td><td>877</td><td>1017</td></tr> <tr><td>.30</td><td>669</td><td>762</td><td>867</td><td>1016</td></tr> <tr><td>.40</td><td>656</td><td>745</td><td>852</td><td>994</td></tr> <tr><td>.50</td><td>644</td><td>734</td><td>837</td><td>967</td></tr> <tr><td>.60</td><td>632</td><td>714</td><td>814</td><td>935</td></tr> <tr><td>.70</td><td>613</td><td>694</td><td>787</td><td>898</td></tr> </tbody> </table>					TAP	LOW	MED L	MED H	HIGH	.10	690	779	887	1045	.20	674	772	877	1017	.30	669	762	867	1016	.40	656	745	852	994	.50	644	734	837	967	.60	632	714	814	935	.70	613	694	787	898
	TAP	LOW	MED L		MED H	HIGH																																											
	.10	690	779		887	1045																																											
.20	674	772	877	1017																																													
.30	669	762	867	1016																																													
.40	656	745	852	994																																													
.50	644	734	837	967																																													
.60	632	714	814	935																																													
.70	613	694	787	898																																													
Std. Outlet Temp (°F)	<140	<140																																															
Comb. Blower (MFD/Volts)	4/250	4/250																																															
LIMITS & CONTROLS	Std. Pressures (Inch's of WC)	@Blower	@Burner Box	Differential																																													
	5' No Elbows	-2.40	-.17	-2.23																																													
	40' +5-90° DWV Elbows	-2.16	-.20	-1.86																																													
	Rollout Switch(°F)	200	200																																														
LIMITS & CONTROLS	Limit Control Setting (°F)	150	150	External Static Pressure Inches of W.C.	<table border="1"> <thead> <tr> <th>TAP</th> <th>LOW</th> <th>MED L</th> <th>MED H</th> <th>HIGH</th> </tr> </thead> <tbody> <tr><td>.10</td><td>690</td><td>779</td><td>887</td><td>1045</td></tr> <tr><td>.20</td><td>674</td><td>772</td><td>877</td><td>1017</td></tr> <tr><td>.30</td><td>669</td><td>762</td><td>867</td><td>1016</td></tr> <tr><td>.40</td><td>656</td><td>745</td><td>852</td><td>994</td></tr> <tr><td>.50</td><td>644</td><td>734</td><td>837</td><td>967</td></tr> <tr><td>.60</td><td>632</td><td>714</td><td>814</td><td>935</td></tr> <tr><td>.70</td><td>613</td><td>694</td><td>787</td><td>898</td></tr> </tbody> </table>					TAP	LOW	MED L	MED H	HIGH	.10	690	779	887	1045	.20	674	772	877	1017	.30	669	762	867	1016	.40	656	745	852	994	.50	644	734	837	967	.60	632	714	814	935	.70	613	694	787	898
	TAP	LOW	MED L		MED H	HIGH																																											
	.10	690	779		887	1045																																											
	.20	674	772		877	1017																																											
.30	669	762	867	1016																																													
.40	656	745	852	994																																													
.50	644	734	837	967																																													
.60	632	714	814	935																																													
.70	613	694	787	898																																													
Auxiliary Limit (°F)	130	130																																															
Fan Control (Type)	HW ST9120	HW ST9120																																															
Fan Control On	30/60	30/60																																															
(Timed -Secs) Off	60,100,140,180	60,100,140,180																																															
Std. Pressure Sw. (Part No)	1008944	1008944																																															
Press Differential (Close)	1.62	1.62																																															
Press Differential (Open)	1.38	1.38																																															
High Alt. Press. Sw (Part No)	1008945	1008945																																															
Press Differential (Close)	1.40	1.40																																															
Press Differential (Open)	1.18	1.18																																															

# 1. Wiring Diagram



# 2. NTGM/GNK



25-22-57

# Replacement Parts - NTGM/GNK

**Models** - NTGM050EFA3, NTGM075EGA3, NTGM100EHA3, NTGM125EKA3 (Natural Gas)  
 GNK050N12A3, GNK075N14A3, GNK100N16A3, GNK125N20A3 (Natural Gas)

**Replacement part supplied will be current active part. For parts not listed, consult place of purchase.**

Key No.	Description Functional	Part Number	050	075	100	125	Key No.	Description Non-Functional	Part Number	050	075	100	125
1	Heat Exchanger	1008876	1	-	-	-	A	Panel Top	1010607	1	1	-	-
		1008877	-	1	-	-			1010608	-	-	1	-
		1008878	-	-	1	-			1010609	-	-	-	1
		1008879	-	-	-	1							
2	Coil Condenser	1010495	1	1	-	-	B	Box Field Connect	1011941	1	1	1	1
		1010496	-	-	1	-	C	Cover Field Connect	1010360	1	1	1	1
		1010497	-	-	-	1	D	Casing	1011649	1	1	-	-
3	Wheel Blower 10-8DD	600587	1	1	-	-			1011650	-	-	1	-
	10-10DD	601210	-	-	1	-			1011651	-	-	-	1
	11-10DD	1011420	-	-	-	1	E	Baffle Circ Air	707010031	2	2	2	2
4	Motor Blower 115V $\frac{1}{3}$ HP	1009054	1	-	-	-	F	Bracket Coil	1008743	1	1	-	-
	115V $\frac{1}{2}$ HP	1009053	-	1	-	-			1008745	-	-	1	-
	115V $\frac{1}{6}$ HP	1009052	-	-	1	-			1008747	-	-	-	1
	115V $\frac{3}{4}$ HP	1011404	-	-	-	1	G	Bracket Mount Coil(RH)	1011446	1	1	1	1
5	Mount Motor Kit	609227	1	1	1	-	H	Bracket Mount Coil(LH)	1011445	1	1	1	1
		522020024	-	-	-	1	J	Rail Blower Slide	57059	2	2	2	2
6	Capacitor 5/370V	1094954	1	-	-	-	K	Casing Base	1010113	1	1	-	-
	10/370V	1094956	-	-	1	1			1010114	-	-	1	-
	7.5/370V	1094239	-	1	-	-			1010115	-	-	-	1
7	Control, Fan Timer	1011927	1	1	1	1	L	Blower Partition	1010815	1	1	-	-
8	Transformer	1011626	1	1	1	1			1010816	-	-	1	-
9	Switch Door Interlock	1010886	1	1	1	1			1010817	-	-	-	1
10	Switch Pressure	1010895	1	1	1	1	M	Panel Cutoff Blwr	721020013	1	1	-	-
11	Blower Exhaust	1011409	1	1	1	-			721020008	-	-	1	1
		1011410	-	-	-	1	N	Housing Blower	1011680	1	1	-	-
12	Restrictor Exh Blwr	1008696	1	1	-	-			1011681	-	-	1	-
		1009386	-	-	1	-			1010481	-	-	-	1
13	O Ring (Exh Blwr)	1009035	1	1	1	1	O	Bracket Ctrl Board	1012183	1	1	1	1
14	Washer Exh Blwr	1009037	2	2	2	2	Q	Hanger Blower	1010690	2	2	2	2
15	Transition Asy	1011850	1	1	1	1	R	Partition Frit Bot	1009489	1	-	-	-
16	O Ring (Header Box)	1009036	1	1	1	1			1009490	-	1	-	-
17	Pressure Tap	1005606	1	1	1	1			1009491	-	-	1	-
18	Switch Limit Rollout	1005549	1	-	-	-			1009492	-	-	-	1
		1010575	-	1	1	1	S	Partition Frit Top	1009485	1	-	-	-
19	Valve Gas Nat & LP	1010988	1	1	1	1			1009486	-	1	-	-
20	Manifold Gas	1011645	1	-	-	-			1009487	-	-	1	-
		1011646	-	1	-	-			1009488	-	-	-	1
		1011647	-	-	1	-	T	Gasket Collector Box	1008676	1	1	-	-
		1011648	-	-	-	1			1008677	-	-	1	-
21	Tube Pilot	64930	1	1	1	1			1008678	-	-	-	1
22	Orifice Burner Nat #42	1011351	2	3	4	5	U	Collector Box	1008670	1	1	-	-
	LP #54	*1011376	2	3	4	5			1008671	-	-	1	-
	High Altitude Orifice Nat #44	1011352	2	3	4	5			1008672	-	-	-	1
	LP #55	*1011354	2	3	4	5	V	Board Insul Coll Box	1008682	1	1	-	-
	LP #56	*1011355	2	3	4	5			1008683	-	-	1	-
23	Igniter/Sensor with Clip	1009524	1	1	1	1			1008684	-	-	-	1
24	Pilot Burner Assembly Nat & LP	1008731	1	1	1	1	W	Cover Diaphragm	1068036	1	1	1	1
25	Orifice Pilot Nat .020	1160403	1	1	1	1	X	Diaphragm Silicone	1008763	1	1	1	1
	LP .011	1009136	-	-	-	-	Y	Bracket Pilot	1010901	1	1	1	1
26	Burner Asy	1008723	1	-	-	-	Z	Gasket Limit Switch	1008778	1	1	1	1
		1008724	-	1	-	-	AA	Door Louvered (NTGM ONLY)	1010184	1	1	-	-
		1008725	-	-	1	-			1010185	-	-	1	-
		1008726	-	-	-	1			1010186	-	-	-	1
27	Switch Limit (Main)	1010647	1	-	-	-			1010168	1	1	-	-
		34332903	-	1	-	1			1010169	-	-	1	-
		1320547	-	-	1	-			1010170	-	-	-	1
28	Tube Sensor	1006298	1	1	1	1	BB	Door Blower	1010190	1	1	-	-
29	Switch, Limit (Aux.)	1000735	1	1	1	1			1010192	-	-	1	-
									1011848	-	-	-	1
							CC	Viewport Cover Lexan	2480678	1	1	1	1
							DD	Gasket Viewport	1093666	1	1	1	1

\* Only used when furnace has been converted to LP Gas



# Replacement Parts - NTGM

**Models** - NTGM050EFA3, NTGM075EGA3, NTGM100EHA3, NTGM125EKA3 (Natural Gas)  
 GNK050N12A3, GNK075N14A3, GNK100N16A3, GNK125N20A3 (Natural Gas)

**Replacement part supplied will be current active part. For parts not listed, consult place of purchase.**

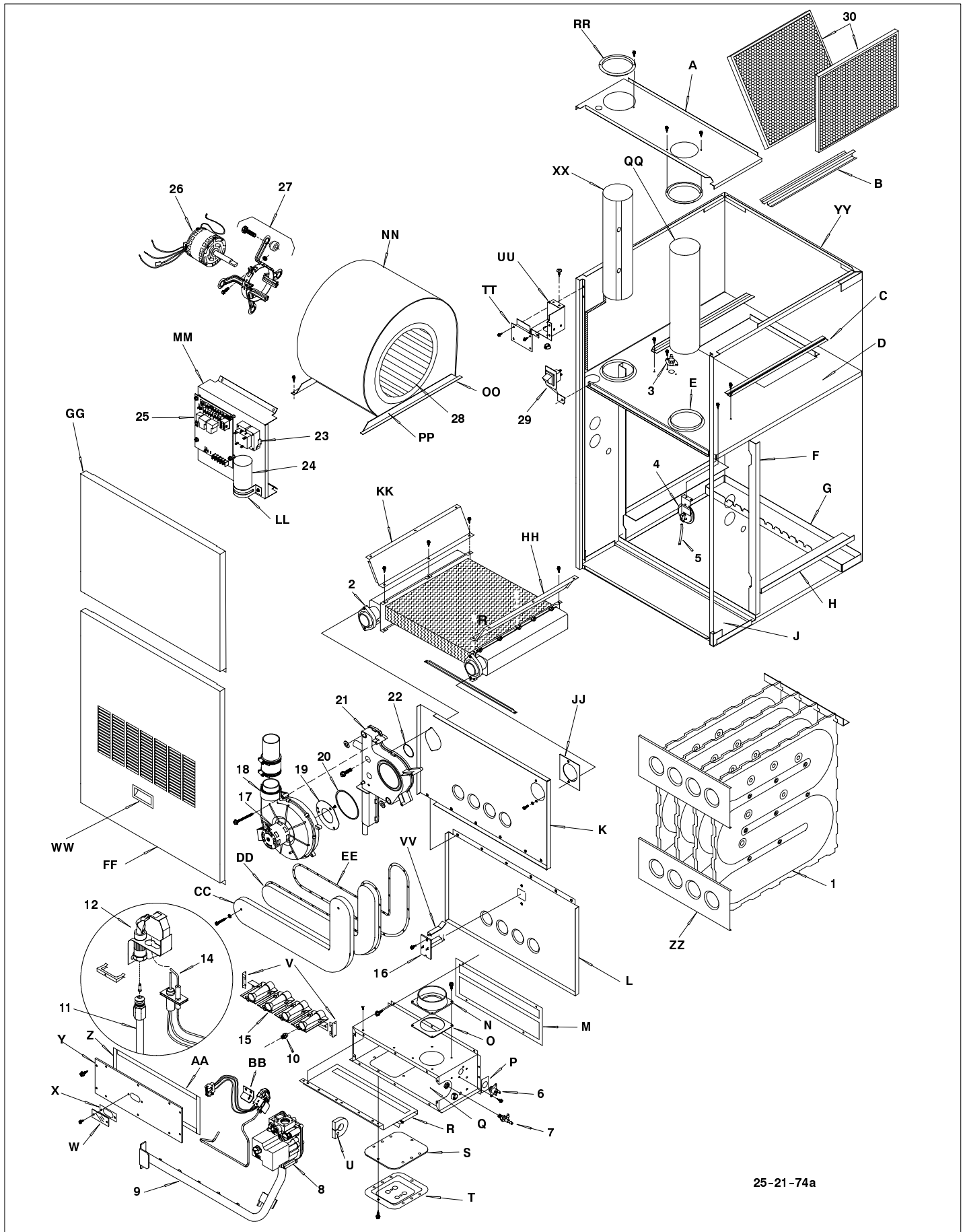
Key No.	Description Non-Functional	Part Number	050	075	100	125
EE	Cover Burner Box	1008748	1	1	-	-
		1008749	-	-	1	-
		1008750	-	-	-	1
FF	Bracket Burner Box	1008722	2	2	2	2
GG	Baffle Burner Box	1008709	1	1	-	-
		1008710	-	-	1	-
		1008711	-	-	-	1
HH	Burner Box Asy	1010381	1	1	-	-
		1010382	-	-	1	-
		1010383	-	-	-	1
JJ	Gasket Air Intake	1008746	1	1	1	1
KK	Coupling Air Intake	1008744	1	1	1	1
LL	Gasket Burner Box	1008759	1	1	-	-
		1008760	-	-	1	-
		1008761	-	-	-	1
MM	Door Handle	1010073	1	1	1	1
NN	Gasket, Heat Exchanger	2480904	2	-	-	-
		2480905	-	2	-	-
		2480906	-	-	2	-
		2480907	-	-	-	2
OO	Seal, Burner Box Sides	1008755	2	2	2	2
PP	Seal, Burner Box	1008762	2	2	-	-
		1009243	-	-	2	-
		1009244	-	-	-	2
QQ	Gasket, Header Box	1010510	1	1	1	1
RR	Support, Heat Exchanger	1010092	1	-	-	-
		1010093	-	1	-	-
		1010098	-	-	1	-
		1010099	-	-	-	1
SS	Clamp, Capacitor	1095020	1	1	1	1
)	<b>PART NOT ILLUSTRATED</b>					
)	Wire Harness	1011864	1	1	1	1
)	Fuse-5 Amp.	1083348	1	1	1	1
)	Flexible Neoprene Coupling	1002522	1	1	1	1
)	Clamp Hose	1002793	2	2	2	2
)	Screen 2"	1007339	2	2	2	2
)	Screen 3"	1007340	2	2	2	2
)	Elbow Union	1012099	1	1	1	1
)	Manual Tech	440 03 1004 01	1	1	1	1
)	Manual Install	440 01 1002 00	1	1	1	1
)	Manual Homeowners	441 02 1001 05	1	1	1	1
)	Grommet, Vinyl	1009535	1	1	1	1
)	Bushing, Strn Rif	1945287	1	1	1	1
)	Pin, Plastic	2344276	3	3	3	-

**Gas Conversion Kits - All models**

Nat to LP            NAHF002LP \*1009509  
 LP to Nat            \*1009510

\*Must be ordered from Service Parts

# 3. NCGM/GCK



25-21-74a

# Replacement Parts - NCGM/GCK

**Models -** NCGM050EFA3, NCGM075EGA3, NCGM100EHA3, NCGM125EKA3 (Natural Gas)  
CGK050N12C3, GCK075N12C3, CGK100N16C3, GCK125N20C3 (Natural Gas)

**Replacement part supplied will be current active part. For parts not listed, consult place of purchase.**

Key No.	Description Functional	Part Number	050	075	100	125	Key No.	Description Non-Functional	Part Number	050	075	100	125		
1	Heat Exchanger Assy	1008876	1	-	-	-	A	Panel Top	1010564	1	1	-	-		
		1008877	-	1	-	-			1010565	-	-	1	-		
		1008878	-	-	1	-			1010566	-	-	-	1		
		1008879	-	-	-	1									
2	Heat Exchanger, Sec.	1010495	1	1	-	-	B	Filter Holder	33411100	1	1	1	1		
		1010496	-	-	1	-	C	Rail Blower Slide	33406100	2	2	2	2		
		1010497	-	-	-	1	D	Blower Partition	1011989	1	1	-	-		
									1011990	-	-	1	-		
3	Limit Switch, Auxillary	613839	-	1	1	-			1011991	-	-	-	1		
		1065702	-	-	-	1	E	Plate, Fill-in	1011072	1	1	-	-		
		1056172	1	-	-	-			1011073	-	-	1	-		
4	Switch, Pressure Switch, Pressure (Hi Alt)	1010895	1	1	1	1			1011074	-	-	-	1		
		1008945	1	1	1	1	F	Angle, Vertical	1008807	2	2	2	2		
5	Tube, Sensor (36" Length)	1006298	1	1	1	1	G	Base, Rear	1010234	1	-	-	-		
6	Limit Switch, Rollout	1005549	1	-	-	-			1010235	-	1	-	-		
		1010575	-	1	1	1			1010348	-	-	1	-		
7	Tap, Pressure	1005606	1	1	1	1			1010350	-	-	-	1		
8	Valve Gas Nat HW & LP	1010988	1	1	1	1	H	Baffle Air	1009880	2	-	-	-		
9	Manifold Gas	1011730	1	-	-	-	J	Base, Front	707010031	-	2	2	2		
		1011731	-	1	-	-			1010090	1	1	-	-		
		1011732	-	-	1	-			1010236	-	-	1	-		
		1011733	-	-	-	1			1010237	-	-	-	1		
10	Orifice Burner Nat #42 Brass LP #54 Silver Hi Alt Orifice Nat #44 Brass Nat #45 Brass LP #55 Silver LP #56 Silver	1011351	2	3	4	5	K	Partition Top Front	1009493	1	-	-	-		
		*1011376	*2	*3	*4	*5			1009494	-	1	-	-		
		1065253	2	3	4	5			1009495	-	-	1	-		
		1065121	2	3	4	5			1009496	-	-	-	1		
		*1065255	*2	*3	*4	*5			L	Partition Bot Front	1009497	1	-	-	-
		*1065167	*2	*3	*4	*5					1009498	-	1	-	-
11	Pilot Tubing, Aluminum	64930	1	1	1	1			1009499	-	-	1	-		
12	Pilot Assembly Nat & LP	1008731	1	1	1	1			1009500	-	-	-	1		
13	Orifice, Pilot .018 Nat Orifice, Pilot .011 LP	503211	1	1	1	1	M	Gasket, Bunner Box	1008759	1	1	-	-		
		*1009136	*1	*1	*1	*1			1008760	-	-	1	-		
14	Igniter/Sensor with Clip Burner, Assy	1009524	1	1	1	1	N	Coupling, Air Intake	1008761	-	-	-	1		
		1008723	1	-	-	-			1008744	1	1	1	1		
		1008724	-	1	-	-			1008746	1	1	1	1		
		1008725	-	-	1	-			1008778	1	1	1	1		
15	Limit Control	1008726	-	-	-	1	O	Gasket, Rollout	1008778	1	1	1	1		
		1320547	-	1	-	-			1010381	1	1	-	-		
		1320549	1	-	1	-			1010382	-	-	1	-		
		1009774	-	-	-	1			1010383	-	-	-	1		
17	Capacitor, 4/250	1149252	1	1	1	1	P	Baffle Burner Box	1008709	1	1	-	-		
		1011409	1	1	1	1			1008710	-	-	1	-		
18	Blower Exhaust	1011410	-	-	-	1	Q	Gasket, Burner Box Assy	1008711	-	-	-	1		
		1008696	1	1	-	-			1008763	1	1	1	1		
19	Restrictor Exh Blwr	1009386	-	-	1	-	T	Cover Diaphragm	1068036	1	1	1	1		
		1009035	1	1	1	1	U	Grommet, Manifold	1008741	1	1	1	1		
20	O Ring, Exhaust Blower	1009035	1	1	1	1	V	Bracket, Burner Box	1008722	2	2	2	2		
21	Drain Trap/Transition	1011850	1	1	1	1	W	Viewport Cover Lexan	2480678	1	1	1	1		
22	O Ring, Header Box	1009036	1	1	1	1	X	Gasket, Sight Glass	1093666	1	1	1	1		
23	Transformer, 40VA	1011626	1	1	1	1	Y	Cover Burner Box	1008748	1	1	-	-		
		1094956	-	-	1	1			1008749	-	-	1	-		
		1094954	1	-	-	-			1008750	-	-	-	1		
24	Capacitor, 10/370 5/370 7.5/370	1094239	-	1	-	-	Z	Seal, Cover Sides	1008755	2	2	2	2		
		1011927	1	1	1	1			1008762	2	2	-	-		
		1009054	1	-	-	-			1009243	-	-	2	-		
25	Control Module/Fan Timer	1009053	-	1	-	-	AA	Strip, Seal Burner Box	1009244	-	-	-	2		
		1009052	-	-	1	-			1010901	1	1	1	1		
		1011404	-	-	-	1			CC	Board, Insulating	1009552	1	1	-	-
		609227	1	1	1	-			1009553	-	-	1	-		
26	Motor, 4 Speed 115V-1/3 HP 115V-1/2 HP 115V-1/2 HP 115V-3/4 HP	522020024	-	-	-	1	BB	Bracket Pilot	1009554	-	-	-	1		
		600587	1	1	-	-			1008673	1	1	-	-		
		601210	-	-	1	-			1008674	-	-	1	-		
27	Kit, Motor Mount	1011420	-	-	-	1	CC	Board, Insulating	1008675	-	-	-	1		
		1010886	1	1	1	1			EE	Gasket, Collector Box	1009536	1	1	-	-
		1009750	2	2	2	2			1009537	-	-	1	-		
28	Wheel, Blower 10-8DD 10-10DD 11-10DD	600587	1	1	-	-	DD	Box, Collector	1009538	-	-	-	1		
		601210	-	-	1	-			1008673	1	1	-	-		
		1011420	-	-	-	1			1008674	-	-	1	-		
29	Switch-Interlock	1010886	1	1	1	1	EE	Gasket, Collector Box	1008675	-	-	-	1		
		1009750	2	2	2	2			1009536	1	1	-	-		
30	Filter W/Frame 16"x19"x1"	1009750	2	2	2	2	EE	Gasket, Collector Box	1009537	-	-	1	-		
											1009538	-	-	-	1

\* Only used when furnace has been converted to LP gas

# Replacement Parts - NCGM/GCK

**Models -** NCGM050EFA3, NCGM075EGA3, NCGM100EHA3, NCGM125EKA3 (Natural Gas)  
CGK050N12C3, GCK075N12C3, CGK100N16C3, GCK125N20C3 (Natural Gas)

**Replacement part supplied will be current active part. For parts not listed, consult place of purchase.**

Key No.	Description Functional	Part Number	050	075	100	125	Key No.	Description Non-Functional	Part Number	050	075	100	125	
	<b>)( PART NOT ILLUSTRATED</b>													
)(	Wire Harness	1011867	1	1	1	1	FF	Door Louvered (NCGM ONLY)	1010187	1	1	-	-	
)(	Fuse-5Amp	1083348	1	1	1	1		(NCGM ONLY)	1010188	-	-	1	-	
)(	Clamp Hose	1002793	2	2	2	2		(NCGM ONLY)	1010189	-	-	-	1	
)(	Coupling, Discharge	1002522	1	1	1	1		(GCK ONLY)	1010171	1	1	-	-	
)(	Reducer, 3" to 2"	1005779	1	1	1	1		(GCK ONLY)	1010172	-	-	1	-	
)(	Elbow Union	1012099	1	1	1	1	GG	Door, Fan (NCGM ONLY)	1010173	-	-	-	1	
)(	Manual Install	440 01 1002 00	1	1	1	1		(NCGM ONLY)	1010196	1	1	-	-	
)(	Manual Tech	441 03 1004 01	1	1	1	1		(NCGM ONLY)	1010197	-	-	1	-	
)(	Manual Homeowners	441 02 1301 01	1	1	1	1		(NCGM ONLY)	1010198	-	-	-	1	
)(	Screen 3"	1007340	1	1	1	1		(GCK ONLY)	1010255	1	1	-	-	
)(	Screen 2"	1007339	1	1	1	1		(GCK ONLY)	1010256	-	-	1	-	
)(	Washer Exhaust Blower	1009037	2	2	2	2	HH	Bracket, Mount LH	1010257	-	-	-	1	
)(	Pin, Plastic Clip	2344276	3	3	3	-	JJ	Gasket, Header Box	1008693	1	1	1	1	
							KK	Bracket, Mount RH	1010510	1	1	1	1	
							LL	Clamp, Capacitor	1008694	1	1	1	1	
							MM	Bracket, Control Board	1095020	1	1	1	1	
							NN	Blower Housing	1011178	1	1	1	1	
									1007787	1	1	-	-	
									1007753	-	-	1	-	
									1010481	-	-	-	1	
							OO	Blower Cutoff	721020013	1	1	-	-	
									721020008	-	-	1	1	
							PP	Hanger, Blower	33403100	2	2	2	2	
							QQ	Shield, Vent Pipe	2311159	1	1	1	1	
							RR	Endplate, Vent Pipe	57083	4	4	4	4	
							TT	Cover, Field Connect	1010360	1	1	1	1	
							UU	Box, Field Connect	1011941	1	1	1	1	
							VV	Shield, Limit	1008797	-	-	1	-	
							WW	Door Handle	1010073	1	1	1	1	
							XX	Vent, Chase	1010540	1	1	1	1	
							YY	Casing	1010570	1	1	-	-	
									1010571	-	-	1	-	
									1010572	-	-	-	1	
							ZZ	Gasket, Heat Exchanger	2480904	2	-	-	-	
									2480905	-	2	-	-	
									2480906	-	-	2	-	
									2480907	-	-	-	2	

**Horizontal Condensate Switch Kit All Models**  
NAHL001HK

**Gas Conversion Kits All Models**  
Nat to LP    NAHF002LP \*1009509  
LP to Nat    NAHF002NG \*1009510  
\*Order from Service Parts