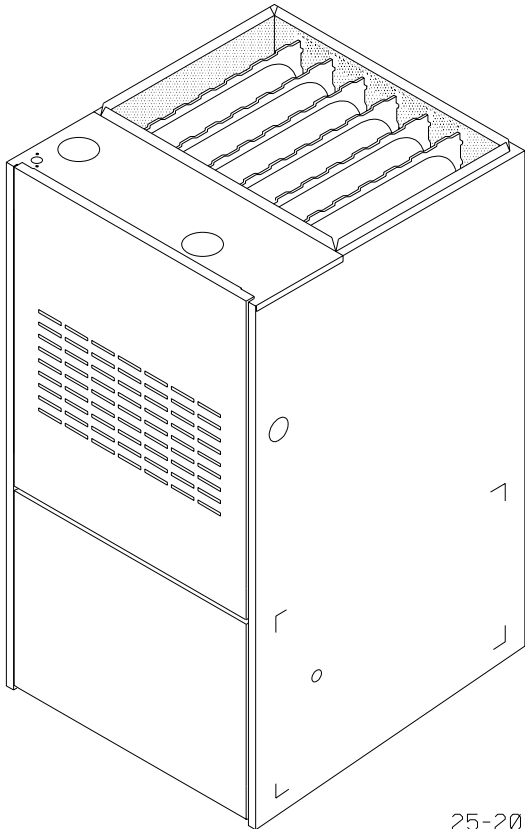


Technical Support Manual



25-20-66

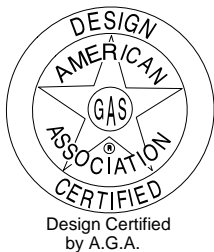
Models

NTC7050BFA3 / GNL050N12C3
NTC7075BFA3 / GNL075N12C3
NTC7100BHA3 / GNL100N16C3
NTC7125BKA3 / GNL125N20C3

NDC7050BFA4 / GDL050N12A4
NDC7075BFA4 / GDL075N12A4
NDC7100BHA4 / GDL100N16A4
NDC7125BKA4 / GDL125N20A4

Manufactured by:
International Comfort Products Corporation (USA)
Lewisburg, TN USA 37091

DIRECT VENT GAS FURNACE



Save This Manual For Future Reference

THIS DATA IS SUBJECT TO CHANGE WITHOUT NOTICE

Manufacturers Number (Mfr No -See Rating Plate)				NTC7050BFA / GNL050N12C																																											
Specifications				Circulation Air Blower Data																																											
GENERAL	Gas Type	Nat	LP	Type & Size Motor Amps/RPM Motor Type/ H.P. Cap. MFD/Volts	10-8 4.6/1050 PSC/1/3 5/370	Filt Type Filt Size (") Min. Cool Cap. (Tons) Max. Cool Cap. (Tons)	Washable 16x25x1 1.5 3																																								
	Input (Btuh) Std/Alt. Output (Btuh) Std/Alt. Temp. Rise (°F)	50,000 40,000 35-65	50,000 40,000 35-65																																												
GAS & IGNITION	Electrical (Volts/Hz/FLA) Transformer Size (VA) T'stat Heat Anticipator	115/60/5.3 40 .30	115/60/5.3 40 .30	Air Delivery in Cubic Feet per Minute (C.F.M.) (Furnace Rated @0.5" WC ESP) <table border="1" style="width:100%; border-collapse: collapse;"> <thead> <tr> <th>TAP</th> <th>LOW</th> <th>MED L</th> <th>MED H</th> <th>HIGH</th> </tr> </thead> <tbody> <tr><td>.10</td><td>718</td><td>840</td><td>1109</td><td>1473</td></tr> <tr><td>.20</td><td>719</td><td>838</td><td>1094</td><td>1431</td></tr> <tr><td>.30</td><td>714</td><td>837</td><td>1086</td><td>1396</td></tr> <tr><td>.40</td><td>692</td><td>819</td><td>1063</td><td>1349</td></tr> <tr><td>.50</td><td>660</td><td>791</td><td>1027</td><td>1291</td></tr> <tr><td>.60</td><td>615</td><td>752</td><td>986</td><td>1222</td></tr> <tr><td>.70</td><td>563</td><td>683</td><td>934</td><td>1141</td></tr> </tbody> </table>				TAP	LOW	MED L	MED H	HIGH	.10	718	840	1109	1473	.20	719	838	1094	1431	.30	714	837	1086	1396	.40	692	819	1063	1349	.50	660	791	1027	1291	.60	615	752	986	1222	.70	563	683	934	1141
	TAP	LOW	MED L					MED H	HIGH																																						
	.10	718	840					1109	1473																																						
	.20	719	838					1094	1431																																						
.30	714	837	1086	1396																																											
.40	692	819	1063	1349																																											
.50	660	791	1027	1291																																											
.60	615	752	986	1222																																											
.70	563	683	934	1141																																											
Gas Valve Regulation Type Manifold Press. (Inch's WC)	HW SV9500 SNAP 3.5	HW SV9500 SNAP 10.0																																													
Std. Main Orifices (No/Size) Pilot Orifice Size	2/#42 .018	2/#54 .011																																													
Ignition Type/Series Lock-Out Time	HW HSP ---	HW HSP ---																																													
COMBUSTION	Flue Outlet Size (Inches) Std. Outlet Temp (°F) Comb. Blower (MFD/Volts)	3 <480 ---	3 <480 ---	Air Delivery in Liters Per Second (L/S) (Furnace Rated @0.5" WC ESP) <table border="1" style="width:100%; border-collapse: collapse;"> <thead> <tr> <th>TAP</th> <th>LOW</th> <th>MED L</th> <th>MED H</th> <th>HIGH</th> </tr> </thead> <tbody> <tr><td>.10</td><td>339</td><td>396</td><td>523</td><td>695</td></tr> <tr><td>.20</td><td>339</td><td>395</td><td>516</td><td>675</td></tr> <tr><td>.30</td><td>337</td><td>395</td><td>513</td><td>659</td></tr> <tr><td>.40</td><td>327</td><td>387</td><td>502</td><td>637</td></tr> <tr><td>.50</td><td>311</td><td>373</td><td>485</td><td>609</td></tr> <tr><td>.60</td><td>290</td><td>355</td><td>465</td><td>577</td></tr> <tr><td>.70</td><td>266</td><td>322</td><td>441</td><td>538</td></tr> </tbody> </table>				TAP	LOW	MED L	MED H	HIGH	.10	339	396	523	695	.20	339	395	516	675	.30	337	395	513	659	.40	327	387	502	637	.50	311	373	485	609	.60	290	355	465	577	.70	266	322	441	538
	TAP	LOW	MED L					MED H	HIGH																																						
	.10	339	396					523	695																																						
	.20	339	395					516	675																																						
.30	337	395	513	659																																											
.40	327	387	502	637																																											
.50	311	373	485	609																																											
.60	290	355	465	577																																											
.70	266	322	441	538																																											
Std. Pressures (Inch's of WC)	@Blower	@Burner Box	Differential																																												
5' No Elbows 40' +5-90° Elbows	0.78 0.74	0.06 0.12	0.72 0.62																																												
LIMITS & CONTROLS	Thermal Sensor (°F) Limit Control Setting (°F) Auxiliary Limit (°F)	250 160 130	250 160 130	Air Delivery in Cubic Feet per Minute (C.F.M.) (Furnace Rated @0.5" WC ESP) <table border="1" style="width:100%; border-collapse: collapse;"> <thead> <tr> <th>TAP</th> <th>LOW</th> <th>MED L</th> <th>MED H</th> <th>HIGH</th> </tr> </thead> <tbody> <tr><td>.10</td><td>778</td><td>984</td><td>1263</td><td>1576</td></tr> <tr><td>.20</td><td>786</td><td>1003</td><td>1249</td><td>1532</td></tr> <tr><td>.30</td><td>790</td><td>1003</td><td>1244</td><td>1489</td></tr> <tr><td>.40</td><td>788</td><td>1001</td><td>1215</td><td>1432</td></tr> <tr><td>.50</td><td>781</td><td>982</td><td>1186</td><td>1371</td></tr> <tr><td>.60</td><td>765</td><td>962</td><td>1146</td><td>1308</td></tr> <tr><td>.70</td><td>743</td><td>923</td><td>1094</td><td>1229</td></tr> </tbody> </table>				TAP	LOW	MED L	MED H	HIGH	.10	778	984	1263	1576	.20	786	1003	1249	1532	.30	790	1003	1244	1489	.40	788	1001	1215	1432	.50	781	982	1186	1371	.60	765	962	1146	1308	.70	743	923	1094	1229
	TAP	LOW	MED L					MED H	HIGH																																						
	.10	778	984					1263	1576																																						
	.20	786	1003					1249	1532																																						
	.30	790	1003					1244	1489																																						
	.40	788	1001					1215	1432																																						
	.50	781	982					1186	1371																																						
.60	765	962	1146	1308																																											
.70	743	923	1094	1229																																											
Fan Control (Type) Fan Control On (Timed-Secs) Off	HW ST9120 30/60 60,100,140,180	HW ST9120 30/60 60,100,140,180																																													
Std. Pressure Sw. (Part No) Press Differential (Close) Press Differential (Open)	1010644 0.39 0.29	1010644 0.39 0.29																																													
High Alt. Press. Sw (Part No) Press Differential (Close) Press Differential (Open)	Not Required	Not Required																																													

THIS DATA IS SUBJECT TO CHANGE WITHOUT NOTICE

Manufacturers Number (Mfr No -See Rating Plate)				NTC7075BFA / GNL075N12C																																											
Specifications				Circulation Air Blower Data																																											
GENERAL	Gas Type	Nat	LP	Type & Size Motor Amps/RPM Motor Type/ H.P. Cap. MFD/Volts	10-8 6.8/1050 PSC/1/2 7.5/370	Filt Type Filt Size (") Min. Cool Cap. (Tons) Max. Cool Cap. (Tons)	Washable 16x25x1 2 3.5																																								
	Input (Btuh) Std/Alt. Output (Btuh) Std/Alt. Temp. Rise (°F)	75,000 60,000 35-65	75,000 60,000 35-65																																												
GAS & IGNITION	Electrical (Volts/Hz/FLA) Transformer Size (VA) T'stat Heat Anticipator	115/60/7.5 40 .30	115/60/7.5 40 .30	Air Delivery in Cubic Feet per Minute (C.F.M.) (Furnace Rated @0.5" WC ESP) <table border="1" style="width:100%; border-collapse: collapse;"> <thead> <tr> <th>TAP</th> <th>LOW</th> <th>MED L</th> <th>MED H</th> <th>HIGH</th> </tr> </thead> <tbody> <tr><td>.10</td><td>367</td><td>464</td><td>596</td><td>744</td></tr> <tr><td>.20</td><td>371</td><td>473</td><td>589</td><td>723</td></tr> <tr><td>.30</td><td>373</td><td>473</td><td>587</td><td>703</td></tr> <tr><td>.40</td><td>372</td><td>472</td><td>573</td><td>676</td></tr> <tr><td>.50</td><td>369</td><td>463</td><td>560</td><td>647</td></tr> <tr><td>.60</td><td>361</td><td>454</td><td>541</td><td>617</td></tr> <tr><td>.70</td><td>351</td><td>436</td><td>516</td><td>580</td></tr> </tbody> </table>				TAP	LOW	MED L	MED H	HIGH	.10	367	464	596	744	.20	371	473	589	723	.30	373	473	587	703	.40	372	472	573	676	.50	369	463	560	647	.60	361	454	541	617	.70	351	436	516	580
	TAP	LOW	MED L					MED H	HIGH																																						
	.10	367	464					596	744																																						
	.20	371	473					589	723																																						
.30	373	473	587	703																																											
.40	372	472	573	676																																											
.50	369	463	560	647																																											
.60	361	454	541	617																																											
.70	351	436	516	580																																											
Gas Valve Regulation Type Manifold Press. (Inch's WC)	HW SV9500 SNAP 3.5	HW SV9500 SNAP 10.0																																													
Std. Main Orifices (No/Size) Pilot Orifice Size	3/#42 .018	3/#54 .011																																													
Ignition Type/Series Lock-Out Time	HW HSP ---	HW HSP ---																																													
COMBUSTION	Flue Outlet Size (Inches) Std. Outlet Temp (°F) Comb. Blower (MFD/Volts)	3 <480 ---	3 <480 ---	Air Delivery in Liters Per Second (L/S) (Furnace Rated @0.5" WC ESP) <table border="1" style="width:100%; border-collapse: collapse;"> <thead> <tr> <th>TAP</th> <th>LOW</th> <th>MED L</th> <th>MED H</th> <th>HIGH</th> </tr> </thead> <tbody> <tr><td>.10</td><td>367</td><td>464</td><td>596</td><td>744</td></tr> <tr><td>.20</td><td>371</td><td>473</td><td>589</td><td>723</td></tr> <tr><td>.30</td><td>373</td><td>473</td><td>587</td><td>703</td></tr> <tr><td>.40</td><td>372</td><td>472</td><td>573</td><td>676</td></tr> <tr><td>.50</td><td>369</td><td>463</td><td>560</td><td>647</td></tr> <tr><td>.60</td><td>361</td><td>454</td><td>541</td><td>617</td></tr> <tr><td>.70</td><td>351</td><td>436</td><td>516</td><td>580</td></tr> </tbody> </table>				TAP	LOW	MED L	MED H	HIGH	.10	367	464	596	744	.20	371	473	589	723	.30	373	473	587	703	.40	372	472	573	676	.50	369	463	560	647	.60	361	454	541	617	.70	351	436	516	580
	TAP	LOW	MED L					MED H	HIGH																																						
	.10	367	464					596	744																																						
	.20	371	473					589	723																																						
.30	373	473	587	703																																											
.40	372	472	573	676																																											
.50	369	463	560	647																																											
.60	361	454	541	617																																											
.70	351	436	516	580																																											
Std. Pressures (Inch's of WC)	@Blower	@Burner Box	Differential																																												
5' No Elbows 40' +5-90° Elbows	0.88 0.76	0.10 0.14	0.78 0.62																																												
LIMITS & CONTROLS	Thermal Sensor (°F) Limit Control Setting (°F) Auxiliary	200 180 130	200 180 130	Air Delivery in Liters Per Second (L/S) (Furnace Rated @0.5" WC ESP) <table border="1" style="width:100%; border-collapse: collapse;"> <thead> <tr> <th>TAP</th> <th>LOW</th> <th>MED L</th> <th>MED H</th> <th>HIGH</th> </tr> </thead> <tbody> <tr><td>.10</td><td>367</td><td>464</td><td>596</td><td>744</td></tr> <tr><td>.20</td><td>371</td><td>473</td><td>589</td><td>723</td></tr> <tr><td>.30</td><td>373</td><td>473</td><td>587</td><td>703</td></tr> <tr><td>.40</td><td>372</td><td>472</td><td>573</td><td>676</td></tr> <tr><td>.50</td><td>369</td><td>463</td><td>560</td><td>647</td></tr> <tr><td>.60</td><td>361</td><td>454</td><td>541</td><td>617</td></tr> <tr><td>.70</td><td>351</td><td>436</td><td>516</td><td>580</td></tr> </tbody> </table>				TAP	LOW	MED L	MED H	HIGH	.10	367	464	596	744	.20	371	473	589	723	.30	373	473	587	703	.40	372	472	573	676	.50	369	463	560	647	.60	361	454	541	617	.70	351	436	516	580
	TAP	LOW	MED L					MED H	HIGH																																						
	.10	367	464					596	744																																						
	.20	371	473					589	723																																						
	.30	373	473					587	703																																						
	.40	372	472					573	676																																						
	.50	369	463					560	647																																						
.60	361	454	541	617																																											
.70	351	436	516	580																																											
Fan Control (Type) Fan Control On (Timed-Secs) Off	HW ST9120 30/60 60,100,140,180	HW ST9120 30/60 60,100,140,180																																													
Std. Pressure Sw. (Part No) Press Differential (Close) Press Differential (Open)	1010645 0.47 0.37	1010645 0.47 0.37																																													
High Alt. Press. Sw (Part No) Press Differential (Close) Press Differential (Open)	1010644 0.39 0.29	1010644 0.39 0.29																																													

THIS DATA IS SUBJECT TO CHANGE WITHOUT NOTICE

Manufacturers Number (Mfr No -See Rating Plate)				NTC7100BHA / GNL100N16C				
Specifications				Circulation Air Blower Data				
GENERAL	Gas Type	Nat	LP	Type & Size	10-10	Filt Type	Washable	
	Input (Btuh) Std/Alt.	100,000	100,000					Motor Amps/RPM
GAS & IGNITION	Output (Btuh) Std/Alt.	80,000	80,000	Motor Type/ H.P.	PSC/1/2	Min. Cool	2	
	Temp. Rise (°F)	35-65	35-65	Cap. MFD/Volts	10/370	Max. Cool		4
	Electrical (Volts/Hz/FLA)	115/60/9.2	115/60/9.2					
COMBUSTION	Transformer Size (VA)	40	40					
	T'stat Heat Anticipator	.30	.30					
	Std. Pressures (Inch's of WC)	@Blower	@Burner Box	Differential				
LIMITS & CONTROLS	5' No Elbows	0.92	0.20					
	40' +5-90° Elbows	0.88	0.24					
	High Alt. Press. Sw (Part No)	1010644	1010644					
GAS & IGNITION	Gas Valve	HW SV9500	HW SV9500					
	Regulation Type	SNAP	SNAP					
	Manifold Press. (Inch's WC)	3.5	10.0					
COMBUSTION	Std. Main Orifices (No/Size)	4/#42	4/#54					
	Pilot Orifice Size	.018	.011					
	Ignition Type/Series	HW HSP	HW HSP					
LIMITS & CONTROLS	Lock-Out Time	---	---					
	Flue Outlet Size (Inches)	4	4					
	Std. Outlet Temp (°F)	<480	<480					
LIMITS & CONTROLS	Comb. Blower (MFD/Volts)	---	---					
	Fan Control (Type)	HW ST9120	HW ST9120					
	Fan Control On	30/60	30/60					
LIMITS & CONTROLS	Fan Control Off	60,100,140,180	60,100,140,180					
	Std. Pressure Sw. (Part No)	1010645	1010645					
	Press Differential (Close)	0.47	0.47					
LIMITS & CONTROLS	Press Differential (Open)	0.37	0.37					
	High Alt. Press. Sw (Part No)	1010644	1010644					
	Press Differential (Close)	0.39	0.39					
LIMITS & CONTROLS	Press Differential (Open)	0.29	0.29					

Air Delivery in Cubic Feet per Minute (C.F.M.)
(Furnace Rated @0.5" WC ESP)

External Static Pressure Inches of W.C.	TAP	LOW	MED L	MED H	HIGH
.10	954	1312	1698	1925	
.20	950	1292	1645	1853	
.30	946	1265	1596	1780	
.40	915	1231	1530	1708	
.50	878	1175	1455	1638	
.60	830	1118	1362	1546	
.70	778	1020	1241	1435	

Air Delivery in Liters Per Second (L/S)
(Furnace Rated @0.5" WC ESP)

External Static Pressure Inches of W.C.	TAP	LOW	MED L	MED H	HIGH
.10	450	619	801	908	
.20	448	610	776	874	
.30	446	597	753	840	
.40	432	581	722	806	
.50	414	555	687	773	
.60	392	528	643	730	
.70	367	481	586	677	

THIS DATA IS SUBJECT TO CHANGE WITHOUT NOTICE

Manufacturers Number (Mfr No -See Rating Plate)				NTC7125BKA / GNL125N20C				
Specifications				Circulation Air Blower Data				
GENERAL	Gas Type	Nat	LP	Type & Size	11.8-10.6	Filt Type	Washable	
	Input (Btuh) Std/Alt.	125,000	125,000					Motor Amps/RPM
GAS & IGNITION	Output (Btuh) Std/Alt.	100,000	100,000	Motor Type/ H.P.	PSC/3/4	Min. Cool	3.5	
	Temp. Rise (°F)	45-75	45-75	Cap. MFD/Volts	10/370	Max. Cool		5
	Electrical (Volts/Hz/FLA)	115/60/10.5	115/60/12.0					
GAS & IGNITION	Transformer Size (VA)	40	40					
	T'stat Heat Anticipator	.30	.30					
	Std. Pressures (Inch's of WC)	@Blower	@Burner Box	Differential				
COMBUSTION	5' No Elbows	0.99	0.16					
	40' +5-90° Elbows	0.89	0.22					
	High Alt. Press. Sw (Part No)	1010645	1010645					
LIMITS & CONTROLS	Press Differential (Close)	0.55	0.55					
	Press Differential (Open)	0.45	0.45					
	High Alt. Press. Sw (Part No)	1010645	1010645					
GAS & IGNITION	Gas Valve	HW SV9500	HW SV9500					
	Regulation Type	SNAP	SNAP					
	Manifold Press. (Inch's WC)	3.5	10.0					
COMBUSTION	Std. Main Orifices (No/Size)	5/#42	5/#54					
	Pilot Orifice Size	.018	.011					
	Ignition Type/Series	HSP	HSP					
LIMITS & CONTROLS	Lock-Out Time	---	---					
	Flue Outlet Size (Inches)	4	4					
	Std. Outlet Temp (°F)	<480	<480					
LIMITS & CONTROLS	Comb. Blower (MFD/Volts)	---	---					
	Fan Control (Type)	HW ST9120	HW ST9120					
	Fan Control On	30/60	30/60					
LIMITS & CONTROLS	Fan Control Off	60,100,140,180	60,100,140,180					
	Std. Pressure Sw. (Part No)	1010646	1010646					
	Press Differential (Close)	0.55	0.55					
LIMITS & CONTROLS	Press Differential (Open)	0.45	0.45					
	High Alt. Press. Sw (Part No)	1010645	1010645					
	Press Differential (Close)	0.47	0.47					
LIMITS & CONTROLS	Press Differential (Open)	0.37	0.37					

Air Delivery in Cubic Feet per Minute (C.F.M.)
(Furnace Rated @0.5" WC ESP)

External Static Pressure Inches of W.C.	TAP	LOW	MED L	MED H	HIGH
.10	1463	1650	1879	2214	
.20	1429	1635	1859	2154	
.30	1417	1614	1838	2152	
.40	1389	1579	1806	2106	
.50	1364	1556	1773	2049	
.60	1339	1513	1725	1981	
.70	1299	1470	1668	1903	

Air Delivery in Liters Per Second (L/S)
(Furnace Rated @0.5" WC ESP)

External Static Pressure Inches of W.C.	TAP	LOW	MED L	MED H	HIGH
.10	690	779	887	1045	
.20	674	772	877	1017	
.30	669	762	867	1016	
.40	656	745	852	994	
.50	644	734	837	967	
.60	632	714	814	935	
.70	613	694	787	898	

THIS DATA IS SUBJECT TO CHANGE WITHOUT NOTICE

Manufacturers Number (Mfr No -See Rating Plate)					NDC7050BFA / GDL050N12A																																												
Specifications					Circulation Air Blower Data																																												
GENERAL	Gas Type	Nat	LP		Type & Size Motor Amps/RPM Motor Type/ H.P. Cap. MFD/Volts	10-8 4.6/1050 PSC/1/3 5/370	Filt Type Filt Size (") Min. Cool Cap. (Tons) Max. Cool Cap. (Tons)	Washable 16x18x2 1.5 3																																									
	Input (Btuh) Std/Alt. Output (Btuh) Std/Alt. Temp. Rise (°F)	50,000 40,000 35-65	50,000 40,000 35-65																																														
GAS & IGNITION	Electrical (Volts/Hz/FLA) Transformer Size (VA) T'stat Heat Anticipator	115/60/5.3 40 .30	115/60/5.3 40 .30		Air Delivery in Cubic Feet per Minute (C.F.M.) (Furnace Rated @0.5" WC ESP) <table border="1"> <thead> <tr> <th>TAP</th> <th>LOW</th> <th>MED L</th> <th>MED H</th> <th>HIGH</th> </tr> </thead> <tbody> <tr><td>.10</td><td>718</td><td>840</td><td>1109</td><td>1473</td></tr> <tr><td>.20</td><td>719</td><td>838</td><td>1094</td><td>1431</td></tr> <tr><td>.30</td><td>714</td><td>837</td><td>1086</td><td>1396</td></tr> <tr><td>.40</td><td>692</td><td>819</td><td>1063</td><td>1349</td></tr> <tr><td>.50</td><td>660</td><td>791</td><td>1027</td><td>1291</td></tr> <tr><td>.60</td><td>615</td><td>752</td><td>986</td><td>1222</td></tr> <tr><td>.70</td><td>563</td><td>683</td><td>934</td><td>1141</td></tr> </tbody> </table>				TAP	LOW	MED L	MED H	HIGH	.10	718	840	1109	1473	.20	719	838	1094	1431	.30	714	837	1086	1396	.40	692	819	1063	1349	.50	660	791	1027	1291	.60	615	752	986	1222	.70	563	683	934	1141	
	TAP	LOW	MED L	MED H					HIGH																																								
	.10	718	840	1109					1473																																								
.20	719	838	1094	1431																																													
.30	714	837	1086	1396																																													
.40	692	819	1063	1349																																													
.50	660	791	1027	1291																																													
.60	615	752	986	1222																																													
.70	563	683	934	1141																																													
Gas Valve Regulation Type Manifold Press. (Inch's WC)	HW SV9500 SNAP 3.5	HW SV9500 SNAP 10.0																																															
Std. Main Orifices (No/Size) Pilot Orifice Size	2/#42 .018	2/#54 .011																																															
COMBUSTION	Ignition Type/Series Lock-Out Time	HW HSP ---	HW HSP ---		External Static Pressure Inches of W.C.	<table border="1"> <thead> <tr> <th>TAP</th> <th>LOW</th> <th>MED L</th> <th>MED H</th> <th>HIGH</th> </tr> </thead> <tbody> <tr><td>.10</td><td>339</td><td>396</td><td>523</td><td>695</td></tr> <tr><td>.20</td><td>339</td><td>395</td><td>516</td><td>675</td></tr> <tr><td>.30</td><td>337</td><td>395</td><td>513</td><td>659</td></tr> <tr><td>.40</td><td>327</td><td>387</td><td>502</td><td>637</td></tr> <tr><td>.50</td><td>311</td><td>373</td><td>485</td><td>609</td></tr> <tr><td>.60</td><td>290</td><td>355</td><td>465</td><td>577</td></tr> <tr><td>.70</td><td>266</td><td>322</td><td>441</td><td>538</td></tr> </tbody> </table>				TAP	LOW	MED L	MED H	HIGH	.10	339	396	523	695	.20	339	395	516	675	.30	337	395	513	659	.40	327	387	502	637	.50	311	373	485	609	.60	290	355	465	577	.70	266	322	441	538
	TAP	LOW	MED L	MED H						HIGH																																							
	.10	339	396	523						695																																							
.20	339	395	516	675																																													
.30	337	395	513	659																																													
.40	327	387	502	637																																													
.50	311	373	485	609																																													
.60	290	355	465	577																																													
.70	266	322	441	538																																													
Flue Outlet Size (Inches) Std. Outlet Temp (°F) Comb. Blower (MFD/Volts)	3 <480 ---	3 <480 ---																																															
Std. Pressures (Inch's of WC) 5' No Elbows 40' +5-90° Elbows	@Blower 0.90 0.85	@Burner Box 0.02 0.17	Differential 0.92 0.65																																														
LIMITS & CONTROLS	Thermal Sensor (°F) Limit Control Setting (°F) Auxiliary Limit (°F)	250 160 110	250 160 110		External Static Pressure Inches of W.C.	Air Delivery in Liters Per Second (L/S) (Furnace Rated @0.5" WC ESP) <table border="1"> <thead> <tr> <th>TAP</th> <th>LOW</th> <th>MED L</th> <th>MED H</th> <th>HIGH</th> </tr> </thead> <tbody> <tr><td>.10</td><td>339</td><td>396</td><td>523</td><td>695</td></tr> <tr><td>.20</td><td>339</td><td>395</td><td>516</td><td>675</td></tr> <tr><td>.30</td><td>337</td><td>395</td><td>513</td><td>659</td></tr> <tr><td>.40</td><td>327</td><td>387</td><td>502</td><td>637</td></tr> <tr><td>.50</td><td>311</td><td>373</td><td>485</td><td>609</td></tr> <tr><td>.60</td><td>290</td><td>355</td><td>465</td><td>577</td></tr> <tr><td>.70</td><td>266</td><td>322</td><td>441</td><td>538</td></tr> </tbody> </table>				TAP	LOW	MED L	MED H	HIGH	.10	339	396	523	695	.20	339	395	516	675	.30	337	395	513	659	.40	327	387	502	637	.50	311	373	485	609	.60	290	355	465	577	.70	266	322	441	538
	TAP	LOW	MED L	MED H						HIGH																																							
	.10	339	396	523						695																																							
	.20	339	395	516						675																																							
	.30	337	395	513						659																																							
	.40	327	387	502						637																																							
.50	311	373	485	609																																													
.60	290	355	465	577																																													
.70	266	322	441	538																																													
Fan Control (Type) Fan Control On (Timed-Secs) Off	HW ST9120 30/60 60,100,140,180	HW ST9120 30/60 60,100,140,180																																															
Std. Pressure Sw. (Part No) Press Differential (Close) Press Differential (Open)	1010644 0.39 0.29	1010644 0.39 0.29																																															
High Alt. Press. Sw (Part No) Press Differential (Close) Press Differential (Open)	-- -- --	-- -- --																																															

THIS DATA IS SUBJECT TO CHANGE WITHOUT NOTICE

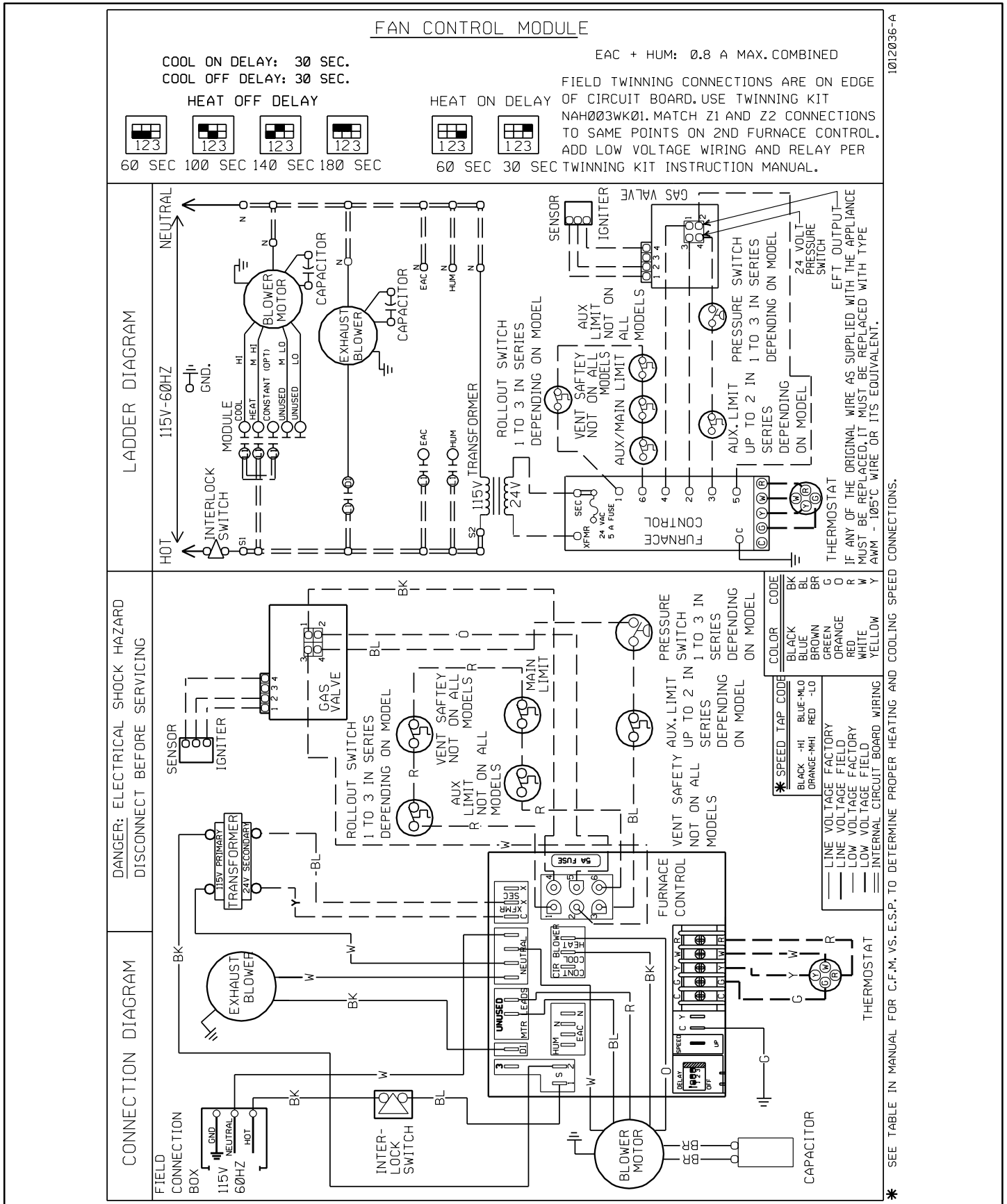
Manufacturers Number (Mfr No -See Rating Plate)					NDC7075BFA / GDL075N12A																																												
Specifications					Circulation Air Blower Data																																												
GENERAL	Gas Type	Nat	LP		Type & Size Motor Amps/RPM Motor Type/ H.P. Cap. MFD/Volts	10-8 6.8/1050 PSC/1/2 7.5/370	Filt Type Filt Size (") Min. Cool Cap. (Tons) Max. Cool Cap. (Tons)	Washable 16x18x2 2 3.5																																									
	Input (Btuh) Std/Alt. Output (Btuh) Std/Alt. Temp. Rise (°F)	75,000 60,000 35-65	75,000 60,000 35-65																																														
GAS & IGNITION	Electrical (Volts/Hz/FLA) Transformer Size (VA) T'stat Heat Anticipator	115/60/7.5 40 .30	115/60/7.5 40 .30		Air Delivery in Cubic Feet per Minute (C.F.M.) (Furnace Rated @0.5" WC ESP) <table border="1"> <thead> <tr> <th>TAP</th> <th>LOW</th> <th>MED L</th> <th>MED H</th> <th>HIGH</th> </tr> </thead> <tbody> <tr><td>.10</td><td>778</td><td>984</td><td>1263</td><td>1576</td></tr> <tr><td>.20</td><td>786</td><td>1003</td><td>1249</td><td>1532</td></tr> <tr><td>.30</td><td>790</td><td>1003</td><td>1244</td><td>1489</td></tr> <tr><td>.40</td><td>788</td><td>1001</td><td>1215</td><td>1432</td></tr> <tr><td>.50</td><td>781</td><td>982</td><td>1186</td><td>1371</td></tr> <tr><td>.60</td><td>765</td><td>962</td><td>1146</td><td>1308</td></tr> <tr><td>.70</td><td>743</td><td>923</td><td>1094</td><td>1229</td></tr> </tbody> </table>				TAP	LOW	MED L	MED H	HIGH	.10	778	984	1263	1576	.20	786	1003	1249	1532	.30	790	1003	1244	1489	.40	788	1001	1215	1432	.50	781	982	1186	1371	.60	765	962	1146	1308	.70	743	923	1094	1229	
	TAP	LOW	MED L	MED H					HIGH																																								
	.10	778	984	1263					1576																																								
.20	786	1003	1249	1532																																													
.30	790	1003	1244	1489																																													
.40	788	1001	1215	1432																																													
.50	781	982	1186	1371																																													
.60	765	962	1146	1308																																													
.70	743	923	1094	1229																																													
Gas Valve Regulation Type Manifold Press. (Inch's WC)	HW SV9500 SNAP 3.5	HW SV9500 SNAP 10.0																																															
Std. Main Orifices (No/Size) Pilot Orifice Size	3/#42 .018	3/#54 .011																																															
COMBUSTION	Ignition Type/Series Lock-Out Time	HW HSP ---	HW HSP ---		External Static Pressure Inches of W.C.	<table border="1"> <thead> <tr> <th>TAP</th> <th>LOW</th> <th>MED L</th> <th>MED H</th> <th>HIGH</th> </tr> </thead> <tbody> <tr><td>.10</td><td>367</td><td>464</td><td>596</td><td>744</td></tr> <tr><td>.20</td><td>371</td><td>473</td><td>589</td><td>723</td></tr> <tr><td>.30</td><td>373</td><td>473</td><td>587</td><td>703</td></tr> <tr><td>.40</td><td>372</td><td>472</td><td>573</td><td>676</td></tr> <tr><td>.50</td><td>369</td><td>463</td><td>560</td><td>647</td></tr> <tr><td>.60</td><td>361</td><td>454</td><td>541</td><td>617</td></tr> <tr><td>.70</td><td>351</td><td>436</td><td>516</td><td>580</td></tr> </tbody> </table>				TAP	LOW	MED L	MED H	HIGH	.10	367	464	596	744	.20	371	473	589	723	.30	373	473	587	703	.40	372	472	573	676	.50	369	463	560	647	.60	361	454	541	617	.70	351	436	516	580
	TAP	LOW	MED L	MED H						HIGH																																							
	.10	367	464	596						744																																							
.20	371	473	589	723																																													
.30	373	473	587	703																																													
.40	372	472	573	676																																													
.50	369	463	560	647																																													
.60	361	454	541	617																																													
.70	351	436	516	580																																													
Flue Outlet Size (Inches) Std. Outlet Temp (°F) Comb. Blower (MFD/Volts)	3 <480 ---	3 <480 ---																																															
Std. Pressures (Inch's of WC) 5' No Elbows 40' +5-90° Elbows	@Blower 0.87 0.75	@Burner Box 0.14 0.16	Differential 0.73 0.59																																														
LIMITS & CONTROLS	Thermal Sensor (°F) Limit Control Setting (°F) Auxiliary	200 150 110	200 150 110		External Static Pressure Inches of W.C.	Air Delivery in Liters Per Second (L/S) (Furnace Rated @0.5" WC ESP) <table border="1"> <thead> <tr> <th>TAP</th> <th>LOW</th> <th>MED L</th> <th>MED H</th> <th>HIGH</th> </tr> </thead> <tbody> <tr><td>.10</td><td>367</td><td>464</td><td>596</td><td>744</td></tr> <tr><td>.20</td><td>371</td><td>473</td><td>589</td><td>723</td></tr> <tr><td>.30</td><td>373</td><td>473</td><td>587</td><td>703</td></tr> <tr><td>.40</td><td>372</td><td>472</td><td>573</td><td>676</td></tr> <tr><td>.50</td><td>369</td><td>463</td><td>560</td><td>647</td></tr> <tr><td>.60</td><td>361</td><td>454</td><td>541</td><td>617</td></tr> <tr><td>.70</td><td>351</td><td>436</td><td>516</td><td>580</td></tr> </tbody> </table>				TAP	LOW	MED L	MED H	HIGH	.10	367	464	596	744	.20	371	473	589	723	.30	373	473	587	703	.40	372	472	573	676	.50	369	463	560	647	.60	361	454	541	617	.70	351	436	516	580
	TAP	LOW	MED L	MED H						HIGH																																							
	.10	367	464	596						744																																							
	.20	371	473	589						723																																							
	.30	373	473	587						703																																							
	.40	372	472	573						676																																							
.50	369	463	560	647																																													
.60	361	454	541	617																																													
.70	351	436	516	580																																													
Fan Control (Type) Fan Control On (Timed-Secs) Off	HW ST9120 30/60 60,100,140,180	HW ST9120 30/60 60,100,140,180																																															
Std. Pressure Sw. (Part No) Press Differential (Close) Press Differential (Open)	1010645 0.47 0.37	1010645 0.47 0.37																																															
High Alt. Press. Sw (Part No) Press Differential (Close) Press Differential (Open)	1010644 0.39 0.29	1010644 0.39 0.29																																															

THIS DATA IS SUBJECT TO CHANGE WITHOUT NOTICE

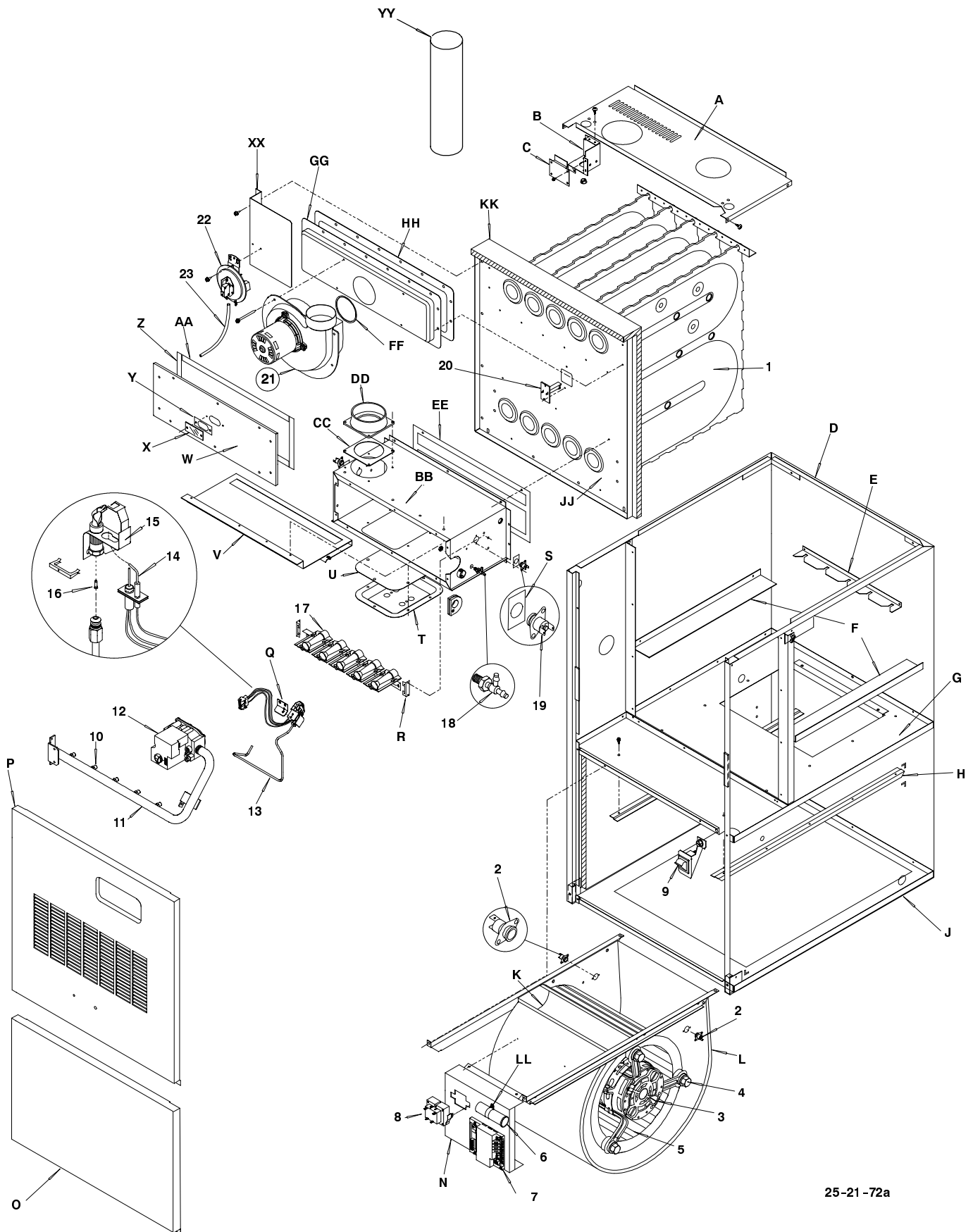
Manufacturers Number (Mfr No -See Rating Plate)				NDC7100BHA / GDL100N16A																																											
Specifications				Circulation Air Blower Data																																											
GENERAL	Gas Type	Nat	LP	Type & Size Motor Amps/RPM Motor Type/ H.P. Cap. MFD/Volts	10-10 8.5/1050 PSC/1/2 10/370	Filt Type Filt Size (") Min. Cool Cap. (Tons) Max. Cool Cap. (Tons)	Washable 16x18x2 2 4																																								
	Input (Btuh) Std/Alt.	100,000	100,000																																												
	Output (Btuh) Std/Alt. Temp. Rise (°F)	80,000 35-65	80,000 35-65																																												
GAS & IGNITION	Electrical (Volts/Hz/FLA)	115/60/9.2	115/60/9.2	Air Delivery in Cubic Feet per Minute (C.F.M.) (Furnace Rated @0.5" WC ESP) <table border="1"> <thead> <tr> <th>TAP</th> <th>LOW</th> <th>MED L</th> <th>MED H</th> <th>HIGH</th> </tr> </thead> <tbody> <tr><td>.10</td><td>954</td><td>1312</td><td>1698</td><td>1925</td></tr> <tr><td>.20</td><td>950</td><td>1292</td><td>1645</td><td>1853</td></tr> <tr><td>.30</td><td>946</td><td>1265</td><td>1596</td><td>1780</td></tr> <tr><td>.40</td><td>915</td><td>1231</td><td>1530</td><td>1708</td></tr> <tr><td>.50</td><td>878</td><td>1175</td><td>1455</td><td>1638</td></tr> <tr><td>.60</td><td>830</td><td>1118</td><td>1362</td><td>1546</td></tr> <tr><td>.70</td><td>778</td><td>1020</td><td>1241</td><td>1435</td></tr> </tbody> </table>				TAP	LOW	MED L	MED H	HIGH	.10	954	1312	1698	1925	.20	950	1292	1645	1853	.30	946	1265	1596	1780	.40	915	1231	1530	1708	.50	878	1175	1455	1638	.60	830	1118	1362	1546	.70	778	1020	1241	1435
	TAP	LOW	MED L					MED H	HIGH																																						
	.10	954	1312					1698	1925																																						
	.20	950	1292					1645	1853																																						
.30	946	1265	1596	1780																																											
.40	915	1231	1530	1708																																											
.50	878	1175	1455	1638																																											
.60	830	1118	1362	1546																																											
.70	778	1020	1241	1435																																											
Transformer Size (VA)	40	40																																													
T'stat Heat Anticipator	.30	.30																																													
Gas Valve	HW SV9500	HW SV9500																																													
Regulation Type	SNAP	SNAP																																													
Manifold Press. (Inch's WC)	3.5	10.0																																													
Std. Main Orifices (No/Size)	4/#42	4/#54																																													
Pilot Orifice Size	.018	.011																																													
Ignition Type/Series	HW HSP	HW HSP																																													
Lock-Out Time	---	---																																													
COMBUSTION	Flue Outlet Size (Inches)	4	4	Air Delivery in Liters Per Second (L/S) (Furnace Rated @0.5" WC ESP) <table border="1"> <thead> <tr> <th>TAP</th> <th>LOW</th> <th>MED L</th> <th>MED H</th> <th>HIGH</th> </tr> </thead> <tbody> <tr><td>.10</td><td>450</td><td>619</td><td>801</td><td>908</td></tr> <tr><td>.20</td><td>448</td><td>610</td><td>776</td><td>874</td></tr> <tr><td>.30</td><td>446</td><td>597</td><td>753</td><td>840</td></tr> <tr><td>.40</td><td>432</td><td>581</td><td>722</td><td>806</td></tr> <tr><td>.50</td><td>414</td><td>555</td><td>687</td><td>773</td></tr> <tr><td>.60</td><td>392</td><td>528</td><td>643</td><td>730</td></tr> <tr><td>.70</td><td>367</td><td>481</td><td>586</td><td>677</td></tr> </tbody> </table>	TAP	LOW	MED L	MED H	HIGH	.10	450	619	801	908	.20	448	610	776	874	.30	446	597	753	840	.40	432	581	722	806	.50	414	555	687	773	.60	392	528	643	730	.70	367	481	586	677			
	TAP	LOW	MED L		MED H	HIGH																																									
	.10	450	619		801	908																																									
	.20	448	610		776	874																																									
.30	446	597	753	840																																											
.40	432	581	722	806																																											
.50	414	555	687	773																																											
.60	392	528	643	730																																											
.70	367	481	586	677																																											
Std. Outlet Temp (°F)	<480	<480																																													
Comb. Blower (MFD/Volts)	---	---																																													
Std. Pressures (Inch's of WC)	@Blower	@Burner Box	Differential																																												
5' No Elbows	0.95	0.19	0.76																																												
40' +5-90° Elbows	0.94	0.27	0.67																																												
LIMITS & CONTROLS	Thermal Sensor (°F)	200	200	External Static Pressure Inches of W.C.																																											
	Limit Control Setting (°F)	190	190																																												
	Auxiliary Limit (°F)	110	110																																												
	Fan Control (Type)	HW ST9120	HW ST9120																																												
	Fan Control On	30/60	30/60																																												
	Fan Control Off	60,100,140,180	60,100,140,180																																												
	Std. Pressure Sw. (Part No)	1010645	1010645																																												
	Press Differential (Close)	0.47	0.47																																												
Press Differential (Open)	0.37	0.37																																													
High Alt. Press. Sw (Part No)	1010644	1010644																																													
Press Differential (Close)	0.39	0.39																																													
Press Differential (Open)	0.29	0.29																																													

THIS DATA IS SUBJECT TO CHANGE WITHOUT NOTICE

Manufacturers Number (Mfr No -See Rating Plate)				NDC7125BKA / GDL125N20A																																											
Specifications				Circulation Air Blower Data																																											
GENERAL	Gas Type	Nat	LP	Type & Size Motor Amps/RPM Motor Type/ H.P. Cap. MFD/Volts	11.8-10.6 9.8/900 PSC/3/4 10/370	Filt Type Filt Size (") Min. Cool Cap. (Tons) Max. Cool Cap. (Tons)	Washable 16x18x2 3.5 5																																								
	Input (Btuh) Std/Alt.	125,000	125,000																																												
	Output (Btuh) Std/Alt. Temp. Rise (°F)	100,000 45-75	100,000 45-75																																												
GAS & IGNITION	Electrical (Volts/Hz/FLA)	115/60/10.5	115/60/10.5	Air Delivery in Cubic Feet per Minute (C.F.M.) (Furnace Rated @0.5" WC ESP) <table border="1"> <thead> <tr> <th>TAP</th> <th>LOW</th> <th>MED L</th> <th>MED H</th> <th>HIGH</th> </tr> </thead> <tbody> <tr><td>.10</td><td>1463</td><td>1650</td><td>1879</td><td>2214</td></tr> <tr><td>.20</td><td>1429</td><td>1635</td><td>1859</td><td>2154</td></tr> <tr><td>.30</td><td>1417</td><td>1614</td><td>1838</td><td>2152</td></tr> <tr><td>.40</td><td>1389</td><td>1579</td><td>1806</td><td>2106</td></tr> <tr><td>.50</td><td>1364</td><td>1556</td><td>1773</td><td>2049</td></tr> <tr><td>.60</td><td>1339</td><td>1513</td><td>1725</td><td>1981</td></tr> <tr><td>.70</td><td>1299</td><td>1470</td><td>1668</td><td>1903</td></tr> </tbody> </table>				TAP	LOW	MED L	MED H	HIGH	.10	1463	1650	1879	2214	.20	1429	1635	1859	2154	.30	1417	1614	1838	2152	.40	1389	1579	1806	2106	.50	1364	1556	1773	2049	.60	1339	1513	1725	1981	.70	1299	1470	1668	1903
	TAP	LOW	MED L					MED H	HIGH																																						
	.10	1463	1650					1879	2214																																						
	.20	1429	1635					1859	2154																																						
.30	1417	1614	1838	2152																																											
.40	1389	1579	1806	2106																																											
.50	1364	1556	1773	2049																																											
.60	1339	1513	1725	1981																																											
.70	1299	1470	1668	1903																																											
Transformer Size (VA)	40	40																																													
T'stat Heat Anticipator	.30	.30																																													
Gas Valve	HW SV9500	HW SV9500																																													
Regulation Type	SNAP	SNAP																																													
Manifold Press. (Inch's WC)	3.5	10.0																																													
Std. Main Orifices (No/Size)	5/#42	5/#54																																													
Pilot Orifice Size	.018	.011																																													
Ignition Type/Series	HSP	HSP																																													
Lock-Out Time	---	---																																													
COMBUSTION	Flue Outlet Size (Inches)	4	4	Air Delivery in Liters Per Second (L/S) (Furnace Rated @0.5" WC ESP) <table border="1"> <thead> <tr> <th>TAP</th> <th>LOW</th> <th>MED L</th> <th>MED H</th> <th>HIGH</th> </tr> </thead> <tbody> <tr><td>.10</td><td>690</td><td>779</td><td>887</td><td>1045</td></tr> <tr><td>.20</td><td>674</td><td>772</td><td>877</td><td>1017</td></tr> <tr><td>.30</td><td>669</td><td>762</td><td>867</td><td>1016</td></tr> <tr><td>.40</td><td>656</td><td>745</td><td>852</td><td>994</td></tr> <tr><td>.50</td><td>644</td><td>734</td><td>837</td><td>967</td></tr> <tr><td>.60</td><td>632</td><td>714</td><td>814</td><td>935</td></tr> <tr><td>.70</td><td>613</td><td>694</td><td>787</td><td>898</td></tr> </tbody> </table>	TAP	LOW	MED L	MED H	HIGH	.10	690	779	887	1045	.20	674	772	877	1017	.30	669	762	867	1016	.40	656	745	852	994	.50	644	734	837	967	.60	632	714	814	935	.70	613	694	787	898			
	TAP	LOW	MED L		MED H	HIGH																																									
	.10	690	779		887	1045																																									
	.20	674	772		877	1017																																									
.30	669	762	867	1016																																											
.40	656	745	852	994																																											
.50	644	734	837	967																																											
.60	632	714	814	935																																											
.70	613	694	787	898																																											
Std. Outlet Temp (°F)	<480	<480																																													
Comb. Blower (MFD/Volts)	---	---																																													
Std. Pressures (Inch's of WC)	@Blower	@Burner Box	Differential																																												
5' No Elbows	0.96	0.14	0.82																																												
40' +5-90° Elbows	0.90	0.24	0.66																																												
LIMITS & CONTROLS	Thermal Sensor (°F)	250	250	External Static Pressure Inches of W.C.																																											
	Limit Control Setting (°F)	170	170																																												
	Auxiliary Limit (°F)	130	130																																												
	Fan Control (Type)	HW ST9120	HW ST9120																																												
	Fan Control On	30/60	30/60																																												
	Fan Control Off	60,100,140,180	60,100,140,180																																												
	Std. Pressure Sw. (Part No)	1010646	1010646																																												
	Press Differential (Close)	0.55	0.55																																												
Press Differential (Open)	0.45	0.45																																													
High Alt. Press. Sw (Part No)	1010645	1010645																																													
Press Differential (Close)	0.47	0.47																																													
Press Differential (Open)	0.37	0.37																																													

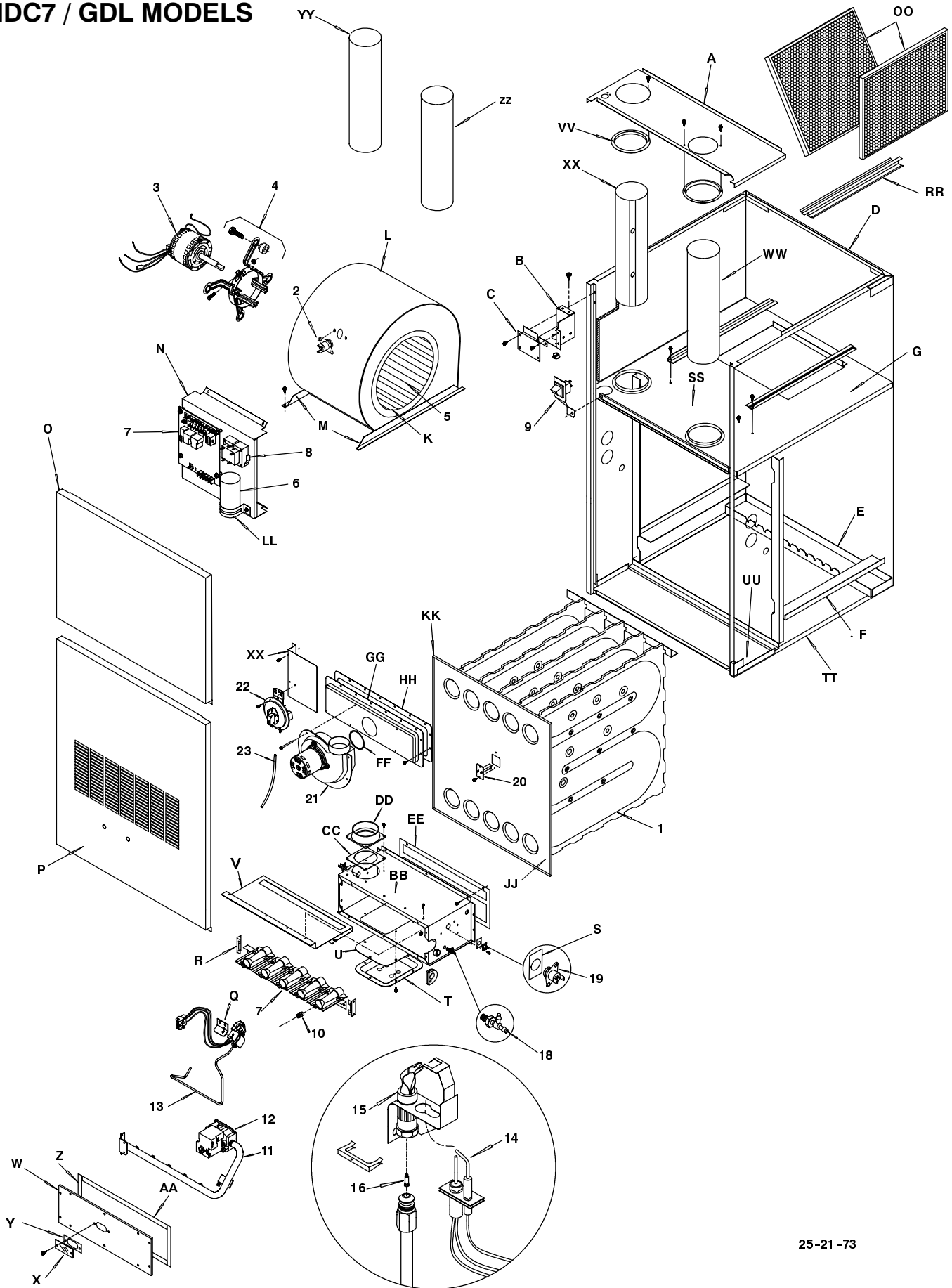


NTC7 / GNL MODELS



25-21-72a

NDC7 / GDL MODELS



25-21-73

Replacement Parts - NTC7/GNL/NDC7/GDL

Models - NTC7050BFA3/GNL050N12C3, NTC7075BFA3/GNL075N12C3, NTC7100BHA3/GNL100N16C3, NTC7125BKA3/GNL125N20C3 NDC7050BFA4/GDL050N12A4, NDC7075BFA4/GDL075N12A4, NDC7100BHA4/GDL100N16A4, NDC7125BKA4/GDL125N20A4 (Natural Gas)

Replacement part supplied will be current active part. For parts not listed, consult place of purchase.

Key No.	Functional Parts Description	Part Number	NTC7/GNL				NDC7/GDL			
			050	075	100	125	050	075	100	125
1	Heat Exchanger	1008876	1	-	-	-	1	-	-	-
		1008877	-	1	-	-	-	1	-	-
		1008878	-	-	1	-	-	-	1	-
		1008879	-	-	-	1	-	-	-	1
2	Switch Limit, Auxiliary	1000735	2	2	2	2	-	-	-	-
		1320368	-	-	-	-	1	1	1	1
3	Motor Blower 115V- ¹ / ₃ HP	1009054	1	-	-	-	1	-	-	-
		1009053	-	1	-	-	-	1	-	-
		1009052	-	-	1	-	-	-	1	-
		1011420	-	-	-	1	-	-	-	1
4	Mount Motor Kit	609227	1	1	1	-	1	1	1	-
		522020024	-	-	-	1	-	-	-	1
5	Wheel Blower 10-8DD	600587	1	1	-	-	1	1	-	-
		601210	-	-	1	-	-	-	1	-
		1011420	-	-	-	1	-	-	-	1
6	Capacitor 5/370V	1094954	1	-	-	-	1	-	-	-
		1094956	-	-	1	1	-	-	1	1
		1094239	-	1	-	-	-	1	-	-
7	Timer Fan	1011927	1	1	1	1	1	1	1	
8	Transformer	1011626	1	1	1	1	1	1	1	
9	Switch Door Interlock	1010886	1	1	1	1	1	1	1	
10	Orifice Burner Nat #42 LP #54	1011351	2	3	4	5	2	3	4	5
		*1011376	2	3	4	5	2	3	4	5
	High Altitude Orifice Nat #44 Nat #45 LP #55 LP #56	1065253	2	3	4	5	2	3	4	5
		1065121	2	3	4	5	2	3	4	5
		*1065255	2	3	4	5	2	3	4	5
		*1065167	2	3	4	5	2	3	4	5
11	Manifold Gas	1010203	1	-	-	-	1	-	-	-
		1010204	-	1	-	-	-	1	-	-
		1010205	-	-	1	-	-	-	1	-
		1010206	-	-	-	1	-	-	-	1
12	Valve Gas Nat & LP	1010988	1	1	1	1	1	1	1	
13	Tube Pilot	64930	1	1	1	1	1	1	1	
14	Igniter/Sensor with Clip	1009524	1	1	1	1	1	1	1	
15	Pilot Burner Assembly Nat & LP	1008731	1	1	1	1	1	1	1	
16	Orifice Pilot Nat (.018) LP	503211	1	1	1	1	1	1	1	
		*1009136	-	-	-	-	-	-	-	-
17	Burner Asy	1008723	1	-	-	-	1	-	-	-
		1008724	-	1	-	-	-	1	-	-
		1008725	-	-	1	-	-	-	1	-
		1008726	-	-	-	1	-	-	-	1
18	Pressure Tap	1005606	1	1	1	1	1	1	1	
19	Switch Limit, Rollout	1005548	2	-	-	2	2	-	-	2
		1010575	-	2	2	-	-	2	2	-
20	Switch Limit (Main)	1010647	1	-	-	-	-	-	-	-
		34332903	-	-	-	-	-	-	1	-
		1320547	-	1	1	-	-	-	-	-
		34332904	-	-	-	1	-	-	-	-
		1010648	-	-	-	-	1	-	-	-
		1009774	-	-	-	-	-	1	-	-
1010652	-	-	-	-	-	-	-	1		
21	Blower Exhaust	1011899	1	1	1	1	1	1	1	
22	Switch Pressure	1010942	1	-	-	-	1	-	-	-
		1010943	-	1	1	-	-	1	1	-
		1010944	-	-	-	1	-	-	-	1
		1010644	-	1	1	-	-	1	1	-
		1010645	-	-	-	1	-	-	-	1
23	Tube Sensor	1009238	1	1	1	1	1	1	1	

* Only used when furnace has been converted to LP gas.

Replacement Parts - NTC7/GNL/NDC7/GDL

Models - NTC7050BFA3/GNL050N12C3, NTC7075BFA3/GNL075N12C3, NTC7100BHA3/GNL100N16C3, NTC7125BKA3/GNL125N20C3 NDC7050BFA4/GDL050N12A4, NDC7075BFA4/GDL075N12A4, NDC7100BHA4/GDL100N16A4, NDC7125BKA4/GDL125N20A4 (Natural Gas)

Replacement part supplied will be current active part. For parts not listed, consult place of purchase.

Key No.	Non-Functional Parts Description	Part Number	NTC7/GNL				NDC7/GDL			
			050	075	100	125	050	075	100	125
A	Panel Top	1010199	1	1	-	-	-	-	-	-
		1010200	-	-	1	-	-	-	-	-
		1010201	-	-	-	1	-	-	-	-
		1010228	-	-	-	-	1	1	-	-
		1010229	-	-	-	-	-	-	1	-
		1010230	-	-	-	-	-	-	-	1
B	Box Field Connect	1011941	1	1	1	1	1	1	1	
C	Cover Field Connect	1010360	1	1	1	1	1	1	1	
D	Casing	1010083	1	1	-	-	-	-	-	
		1010084	-	-	1	1	-	-	-	
		1010097	-	-	-	-	1	1	-	
		1010221	-	-	-	-	-	-	1	
E	Support, Heat Exchanger	1010092	1	-	-	-	-	-	-	
		1010093	-	1	-	-	-	-	-	
		1010098	-	-	1	-	-	-	-	
		1010099	-	-	-	1	-	-	-	
F	Baffle Circ Air	1009880	2	-	-	-	2	-	-	
		707010031	-	2	2	2	-	2	2	
G	Blower Partition	1010813	1	1	-	-	-	-	-	
		1010814	-	-	1	1	-	-	-	
		1011033	-	-	-	-	1	1	-	
		1011034	-	-	-	-	-	-	1	
		1011035	-	-	-	-	-	-	-	
H	Rail Blower Slide	57059	2	2	2	2	-	-	-	
		33406100	-	-	-	-	2	2	2	
J	Casing Base	1010113	1	1	-	-	-	-	-	
		1010114	-	-	1	1	-	-	-	
K	Panel Cutoff Blw	721020013	1	1	-	-	1	1	-	
		721020008	-	-	1	1	-	-	1	
L	Housing Blower	1011680	1	1	-	-	-	-	-	
		1011681	-	-	1	-	-	-	-	
		1010481	-	-	-	1	-	-	-	
		1010579	-	-	-	-	1	1	-	
		1010580	-	-	-	-	-	-	1	
		1010716	-	-	-	-	-	-	-	
M	Hanger Blower	1010690	2	2	2	2	-	-	-	
		33403100	-	-	-	-	2	2	2	
N	Bracket Ctrl Board	1012183	1	1	1	1	-	-	-	
		1011178	-	-	-	-	1	1	1	
O	Door Blower	1010243	1	1	-	-	-	-	-	
		1010244	-	-	1	1	-	-	-	
		1010196	-	-	-	-	1	1	-	
		1010197	-	-	-	-	-	-	1	
P	Door Louvered (NTC7 ONLY) (NDC7/GDL ONLY) (NDC7/GDL ONLY) (GNL ONLY) (GNL ONLY)	1010247	1	1	-	-	-	-	-	
		1010248	-	-	1	1	-	-	-	
		1010249	-	-	-	-	1	1	-	
		1010250	-	-	-	-	-	-	1	
		1010251	1	1	-	-	-	-	-	
		1010252	-	-	1	1	-	-	-	
Q	Bracket Pilot	1010901	1	1	1	1	1	1		
R	Bracket Burner Box	1008722	2	2	2	2	2	2		
S	Gasket Limit Switch	1008778	2	2	2	2	2	2		
T	Cover Diaphragm	1068036	1	1	1	1	1	1		
U	Diaphragm Silicone	1008763	1	1	1	1	1	1		
V	Baffle Burner Box	1008709	1	1	-	-	1	1	-	
		1008710	-	-	1	-	-	-	1	
		1008711	-	-	-	1	-	-	-	
W	Cover Burner Box	1008748	1	1	-	-	1	1	-	
		1008749	-	-	1	-	-	-	1	
		1008750	-	-	-	1	-	-	-	
X	Viewport Cover Lexan	2480678	1	1	1	1	1	1		
Y	Gasket Viewport	1093666	1	1	1	1	1	1		
Z	Gasket Cover Sides	1008755	2	2	2	2	2	2		
AA	Gasket Cover Top & Bottom	1008762	2	2	-	-	2	2	-	
		1009243	-	-	2	-	-	-	2	
		1009244	-	-	-	2	-	-	-	

Replacement Parts - NTC7/GNL/NDC7/GDL

Models - NTC7050BFA3/GNL050N12C3, NTC7075BFA3/GNL075N12C3, NTC7100BHA3/GNL100N16C3, NTC7125BKA3/GNL125N20C3 NDC7050BFA4/GDL050N12A4, NDC7075BFA4/GDL075N12A4, NDC7100BHA4/GDL100N16A4, NDC7125BKA4/GDL125N20A4 (Natural Gas)

Replacement part supplied will be current active part. For parts not listed, consult place of purchase.

Key No.	Non-Functional Parts Description	Part Number	NTC7/GNL				NDC7/GDL			
			050	075	100	125	050	075	100	125
BB	Burner Box Asy	1010231	1	1	-	-	1	1	-	-
		1010240	-	-	1	-	-	-	1	-
		1010241	-	-	-	1	-	-	-	1
CC	Gasket Air Intake	1008746	1	1	1	1	1	1	1	1
DD	Coupling Air Intake	1008744	1	1	1	1	1	1	1	1
EE	Gasket Burner Box	1008759	1	1	-	-	1	1	-	-
		1008760	-	-	1	-	-	-	1	-
		1008761	-	-	-	1	-	-	-	1
FF	Gasket, Comb. Blower	1011379	1	1	1	1	1	1	1	1
GG	Collector Box	1011051	1	1	-	-	1	1	-	-
		1011054	-	-	1	-	-	-	1	-
		1011058	-	-	-	1	-	-	-	1
HH	Gasket Collector Box	1093661	1	1	-	-	1	1	-	-
		1093662	-	-	1	-	-	-	1	-
		1093663	-	-	-	1	-	-	-	1
JJ	Partition Front	1010289	1	-	-	-	-	-	-	-
		1010290	-	1	-	-	-	-	-	-
		1010291	-	-	1	-	-	-	-	-
		1010292	-	-	-	1	-	-	-	-
		1010700	-	-	-	-	1	-	-	-
		1010701	-	-	-	-	-	1	-	-
		1010702	-	-	-	-	-	-	1	-
KK	Gasket, Heat Exchanger	2480904	2	-	-	-	2	-	-	-
		2480905	-	2	-	-	-	2	-	-
		2480906	-	-	2	-	-	-	2	-
		2480907	-	-	-	2	-	-	-	2
LL	Clamp, Capacitor	1095020	1	1	1	1	1	1	1	1
OO	Filter, Air 16" x 19" x 1"	1009750	-	-	-	-	2	2	2	2
RR	Holder, Filter	33411100	-	-	-	-	1	1	1	1
SS	Plate, Fill In	1011072	-	-	-	-	1	1	-	-
		1011073	-	-	-	-	-	-	1	1
TT	Base, Rear	1010234	-	-	-	-	1	-	-	-
		1010235	-	-	-	-	-	1	-	-
		1010348	-	-	-	-	-	-	1	-
		1010349	-	-	-	-	-	-	-	1
UU	Base, Front	1010090	-	-	-	-	1	1	-	-
		1010236	-	-	-	-	-	-	1	1
VV	End Plate, Vent Shield	57083	-	-	-	-	4	4	4	4
WW	Shield, Vent Pipe	2311159	-	-	-	-	2	2	2	2
XX	Shield, Heat Intake	1010573	-	-	-	1	-	-	-	1
YY	Inlet Pipe	1010309	1	1	-	-	1	1	-	-
ZZ	Pipe Flue	1010956	-	-	-	-	1	1	1	1
)	PART NOT ILLUSTRATED									
)	Screen 3"	1007340	1	1	1	1	1	1	1	1
)	Fuse (5-Amp)	1083348	1	1	1	1	1	1	1	1
)	Manual Tech	44103200800	1	1	1	1	1	1	1	1
)	Manual Install	44101200800	1	1	1	1	1	1	1	1
)	Manual Homeowners	44102200100	1	1	1	1	1	1	1	1
)	Reducer, 3" to 2"	1005779	1	1	-	-	1	1	-	-
)	Low Voltage Wire Harness	1011862	1	1	1	1	-	-	-	-
		1012201	-	-	-	-	1	1	1	1

Gas Conversion Kits - All models

Nat to LP NAHF002LP *1009509 or NAHL002LP *1160991

LP to Nat *1009510

*Must be ordered from Service Parts