



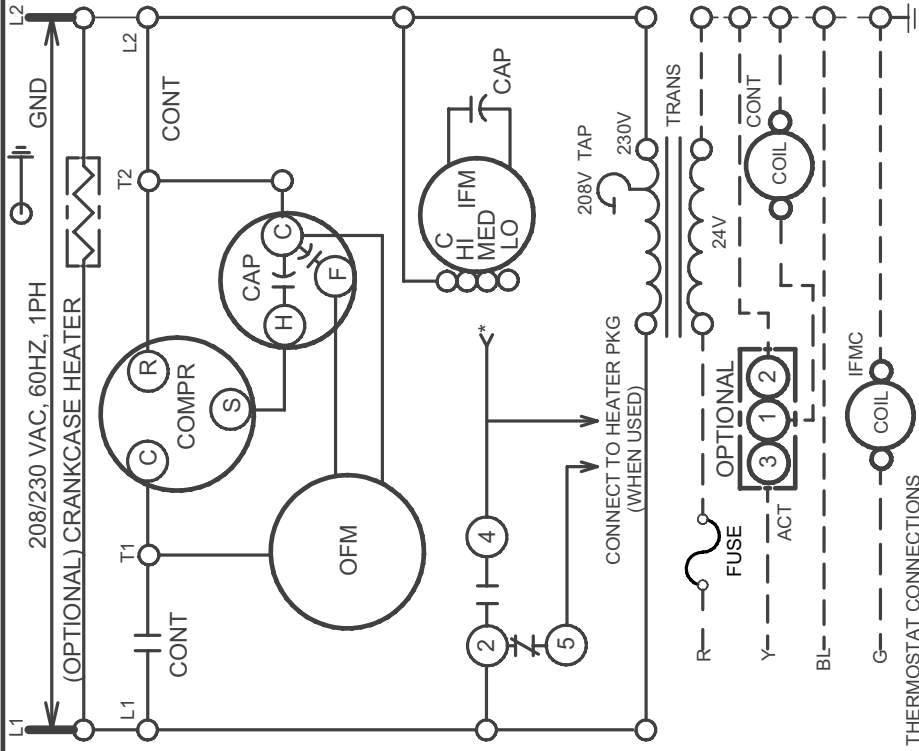
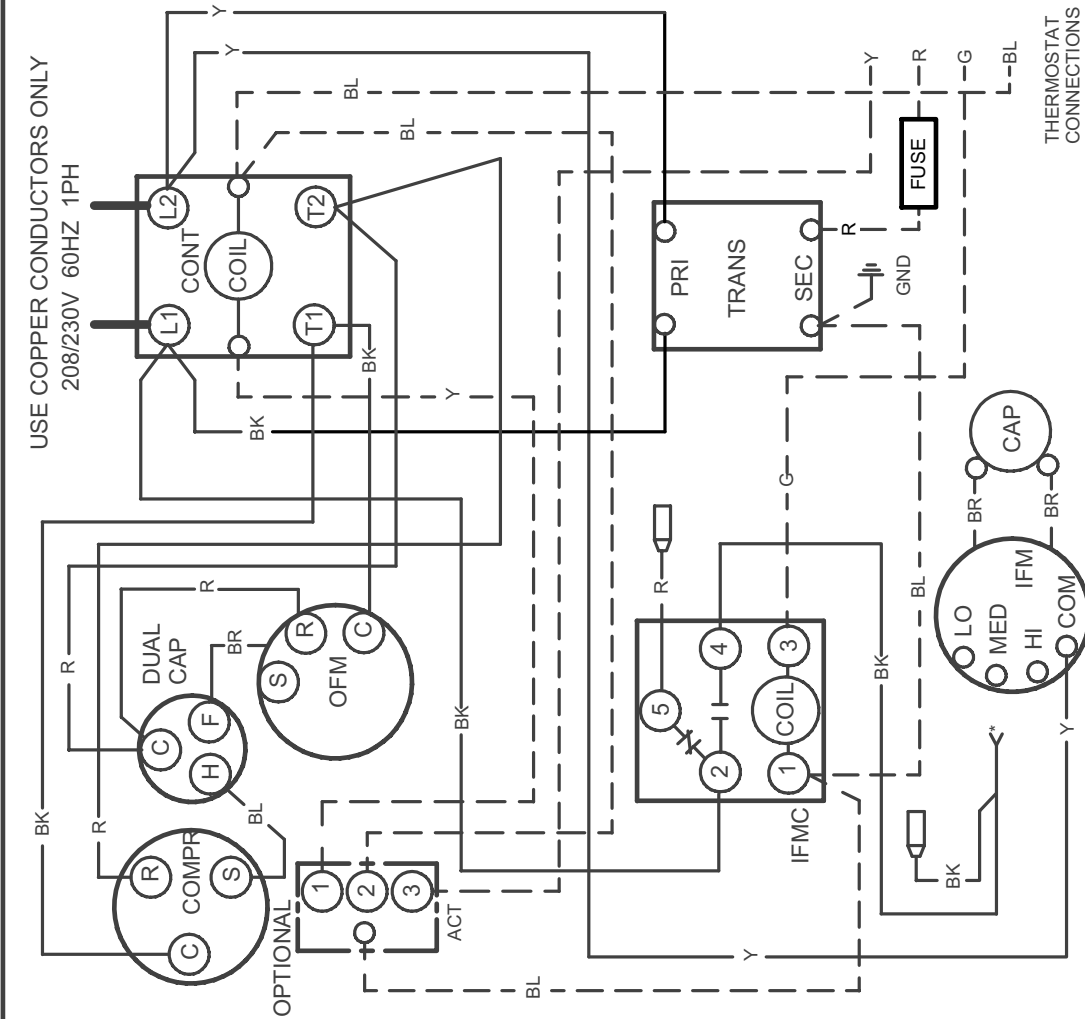
KEY NO.	DESCRIPTION	PART NUMBER	PA9524AKA6	PA9530AKA6	PA9536AKA6	PA9542AKA6	PA9548AKA6
			PAPC24GA6	PAPC30GA6	PAPC36GA6	PAPC42GA6	PAPC48GA6
1	Compressor, With Plug Connection	ZR22K4PFV130	1	*	*	*	*
1		ZR28K3PFV130	*	1	*	*	*
1		ZR34K3PFV130	*	*	1	*	*
1		ZR36K3PFV130	*	*	*	1	*
1		ZR42K3PFV130	*	*	*	*	1
2	Motor, Condenser Fan	1085926	1	1	1	1	1
3	Fan Blade, Condenser	1096902	1	1	1	1	1
4	Coil, Condenser	1110864	1	*	*	*	*
4		1110851	*	1	1	1	1
6	Capacitor, 5Mfd / 370Volt, Oval	1172149	1	1	1	1	*
6	20Mfd / 370Volt, Oval	1172145	*	*	*	*	1
7	Mount, Blower Motor Kit 4 Leg	1004905	1	1	1	1	1
8	Motor, Blower	1082061	1	*	*	*	*
8		1081398	*	1	*	*	*
8		1081399	*	*	1	1	*
8		1081194	*	*	*	*	1
9	Wheel, Blower	2120144	1	1	*	*	*
9		706038	*	*	1	1	*
9		1082068	*	*	*	*	1
10	Coil, Evaporator	1097602M	1				
10		1097601M	*	1	*	*	*
10		1097611M	*	*	1	*	*
10		1097612M	*	*	*	1	*
10		1097613M	*	*	*	*	1
11	Feeder Tube Asy (Included W/Evap coil)	1111172	1	1	*	*	*
11		1111341	*	*	1	1	1
12	Manifold (Included with Evap coil)						
13	Port Assembly	1083656	1	1	1	1	1
14	Manifold, (Included with Condenser coil)						
15	Manifold, (Included with Condenser coil)						
16	Capacitor, 35Mfd + 5Mfd / 370Volt	1172110	1	*	*	*	*
16	45Mfd + 5Mfd / 370Volt	1172124	*	1	*	*	*
16	50Mfd + 5Mfd / 370Volt	1172111	*	*	1	1	*
16	60Mfd + 5Mfd / 370Volt	1172112	*	*	*	*	1
17	Contact, 25 Amp	1050699	1	1	1	*	*
17	35 Amp	1050839	*	*	*	1	*
17	40 Amp	1059574	*	*	*	*	1
18	Relay	1082266	1	1	1	1	1
19	Transformer	1082611	1	1	1	1	1
25	Valve, Expansion	1082121	1	*	*	*	*
25		1082122	*	1	*	*	*
25		1082123	*	*	1	*	*
25		1082124	*	*	*	1	*
25		1082125	*	*	*	*	1
27	Grommet, Compressor Mounting	1171270	4	4	4	4	4
33	Plug, Compressor Harness	1083654	1	1	1	1	1

KEY NO.	DESCRIPTION	PART NUMBER	PA9524AKA6	PA9530AKA6	PA9536AKA6	PA9542AKA6	PA9548AKA6
			PAPC24GA6	PAPC30GA6	PAPC36GA6	PAPC42GA6	PAPC48GA6
A	Nut, Cap	1067902	4	4	4	4	4
AA	Panel, (Evaporator Side)	1110579	1	1	1	1	1
B	Grille, Condenser Fan	1084490	1	1	1	1	*
B		1072868	*	*	*	*	1
BB	Grille, Inlet	1081378	1	1	1	1	1
C	Orifice, Condenser Fan	1065724	1	1	1	1	1
CC	Panel Center	1097342	1	1	1	1	1
D	Panel, Top	1068344	1	1	1	1	1
E	Panel, ( Blower Side)	1110577	1	1	1	1	1
EE	Clamp Capacitor Mounting	1095021	1	1	1	*	*
EE		1064218	*	*	*	1	1
F	Plate, Cover	1081375	1	1	1	1	1
G	Plate, Control	1096289	1	1	1	1	1
H	Bracket, Capacitor Mounting	1171552	1	1	1	1	1
J	Housing, Blower	1110939	1	1	*	*	*
J		1110940	*	*	1	1	1
O	Panel, Blower Cutoff	611796	1	1	*	*	*
O		95143	*	*	1	1	1
P	Bracket, Heater Box	1081114	1	1	1	1	1
Q	Plate, Cover	1083655	1	1	1	1	1
R	Heater Box	1081111	1	1	1	1	1
S	Bracket, Heater Box	1081112	1	1	1	1	1
T	Bracket, Heater Box	1081113	1	1	1	1	1
U	Ring, Air Duct 12"	1066734	1	1	1	1	1
V	Ring, Air Duct 14"	1066735	1	1	1	1	1
W	Panel, Rear	1110986	1	1	1	1	1
X	Bracket, Evap Coil	1081110	1	1	1	1	1
Z	Pan, Drain	1081120	1	1	1	1	1
)	Bracket, Coil Support	1097616	1	1	1	1	1
)	Plate, Support, Condenser	1097307	1	1	1	1	1
)	Manual, Parts List	42604110700	0	0	0	0	0

DANGER: ELECTRICAL SHOCK HAZARD - DISCONNECT POWER BEFORE SERVICING

CONNECTION WIRING DIAGRAM

LADDER WIRING DIAGRAM



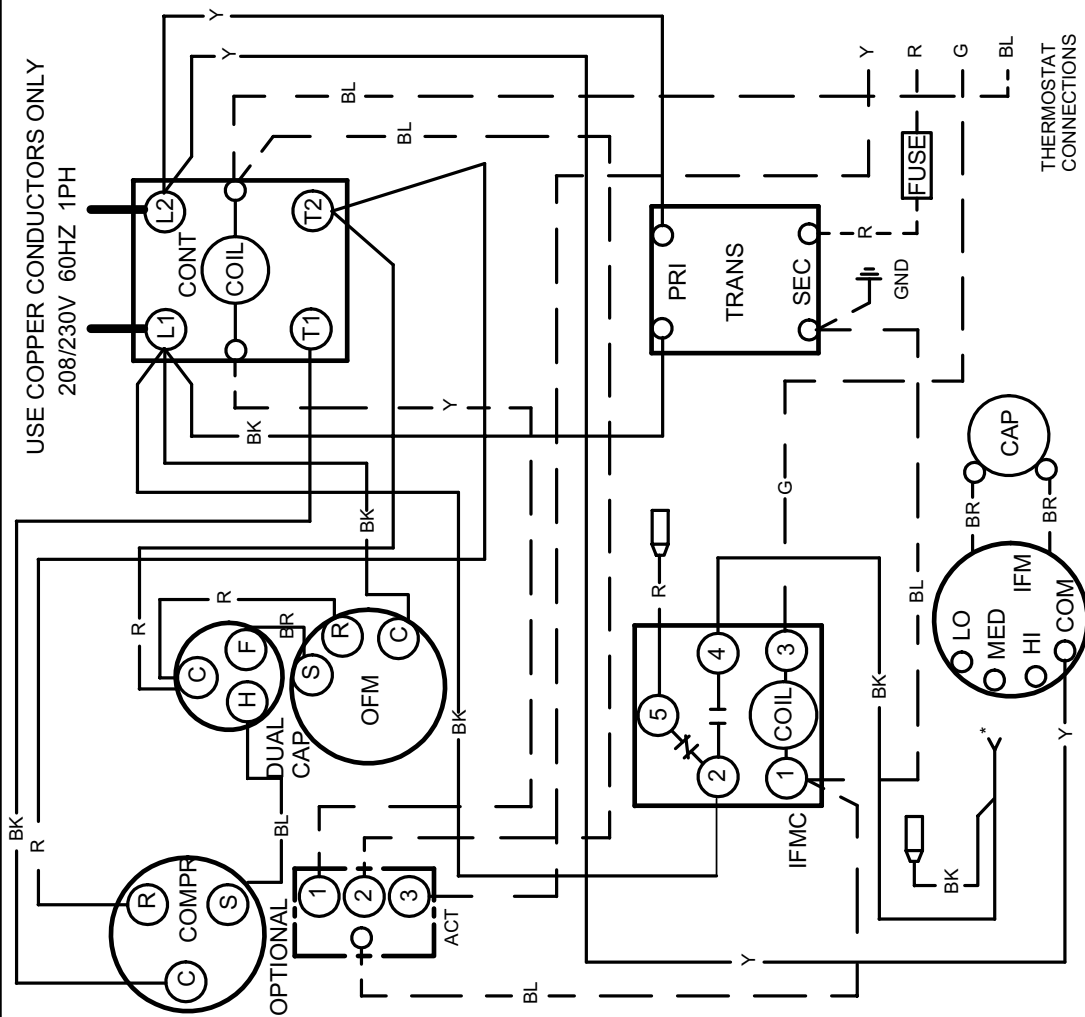
IF ANY OF THE ORIGINAL WIRE AS SUPPLIED WITH THE APPLIANCE MUST BE REPLACED, IT MUST BE REPLACED WITH TYPE AWM-105°C OR ITS EQUIVALENT.

\* SEE INSTALLATION INSTRUCTIONS FOR PROPER HEATING AND COOLING CONNECTIONS FOR YOUR UNIT

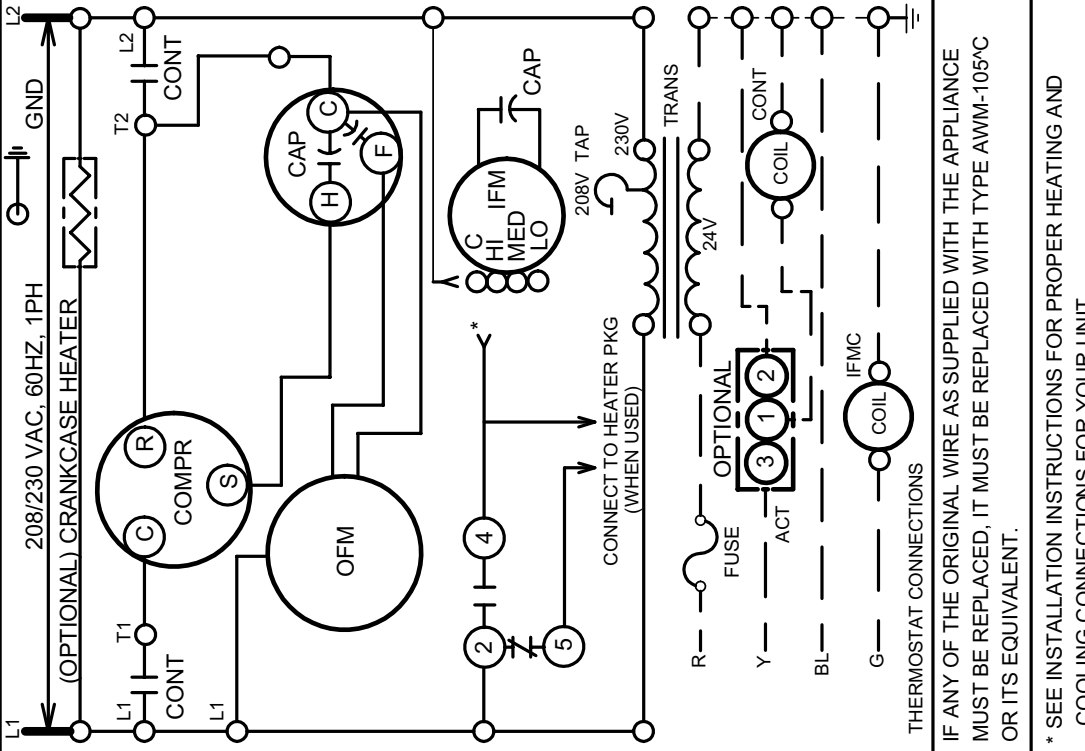
COLOR CODE	LINE CODE	LEGEND
BLACK...BK	ORANGE...O	GND.....GROUND
BLUE...BL	RED.....R	TC.... TERMINAL CONNECTOR
BROWN...BR	VIOLET...V	OFM.. OUTDOOR FAN MTR
GRAY...GY	WHITE...W	IFM.. INDOOR FAN MTR
GREEN...G	YELLOW...Y	IFMC.. INDOOR FAN MTR CONTROL
		ACT... ANTICYCLE TIMER
		TRANS.... TRANSFORMER
		COMPR.... COMPRESSOR
		CAP ..... CAPACITOR
		CONT ..... CONTACTOR
		LVTB... LO VOLT TERM BRD

DANGER: ELECTRICAL SHOCK HAZARD - DISCONNECT POWER BEFORE SERVICING

CONNECTION WIRING DIAGRAM



LADDER WIRING DIAGRAM



COLOR CODE	LINE CODE
BLACK...BK	ORANGE...O
BLUE...BL	RED...R
BROWN...BR	VIOLET...V
GRAY...GY	WHITE...W
GREEN...G	YELLOW...Y

THERMOSTAT CONNECTIONS	
TRANS....	TRANSFORMER
COMPR....	COMPRESSOR
CAP.....	CAPACITOR
CONT.....	CONTACTOR
LVTB...LO	VOLT TERM BRD

THERMOSTAT CONNECTIONS	
R---	FUSE
Y---	ACT
BL---	OPTIONAL
G---	COIL

LEGEND	
GND.....	GROUND
TC....	TERMINAL CONNECTOR
OFM..	OUTDOOR FAN MTR
IFM..	INDOOR FAN MTR
IFMC..	INDOOR FAN MTR CONTROL
ACT...ACT	ANTICYCLE TIMER

\* SEE INSTALLATION INSTRUCTIONS FOR PROPER HEATING AND COOLING CONNECTIONS FOR YOUR UNIT

IF ANY OF THE ORIGINAL WIRE AS SUPPLIED WITH THE APPLIANCE MUST BE REPLACED, IT MUST BE REPLACED WITH TYPE AWM-105°C OR ITS EQUIVALENT.

Style No:	PA9524AKA / PAPC24GA		Outdoor Ambient Temperature - Degrees F. Dry Bulb																							
Voltage	208 / 230	1	75				85				95				105				115							
			Entering Indoor Temperature - Degrees F. Wet Bulb																							
Ampacity	16.4	IDB	59	63	67	71	59	63	67	71	59	63	67	71	59	63	67	71	59	63	67	71				
Wire Ga/Ft	NEC	70	MBh	22.3	23.1	25.3	-	21.8	22.6	24.7	-	21.2	22.0	24.1	-	20.2	20.9	22.9	-	18.7	19.4	21.2	-			
Delay Fuse	20		S/T	0.77	0.65	0.45	-	0.79	0.66	0.46	-	0.82	0.68	0.47	-	0.85	0.71	0.49	-	0.86	0.72	0.50	-			
Max. Fuse	35		AMPS	8.6	8.8	9.0	-	9.2	9.4	9.6	-	9.7	9.9	10.1	-	10.2	10.4	10.7	-	10.7	10.9	11.2	-			
Compressor	COPELAND		HI PR	164	177	187	-	187	201	213	-	213	229	242	-	240	258	272	-	265	285	301	-			
RLA	12.1	LO PR	66	71	77	-	69	73	80	-	73	77	84	-	76	81	88	-	79	84	91	-				
LRA	54	75	MBh	22.7	23.4	25.3	27.1	22.1	22.8	24.7	26.5	21.6	22.2	24.1	25.8	20.5	21.1	22.9	24.5	19.0	19.6	21.2	22.7			
Cap MFD/V	35 / 370		S/T	0.88	0.79	0.60	0.38	0.90	0.81	0.61	0.39	0.93	0.83	0.63	0.41	0.97	0.86	0.65	0.42	0.98	0.87	0.66	0.42			
CC Heater	N/A		AMPS	8.7	8.9	9.1	9.3	9.3	9.5	9.7	10.0	9.8	10.0	10.2	10.5	10.3	10.5	10.8	11.1	10.8	11.0	11.3	11.6			
Start Kit			HI PR	166	179	189	197	189	203	215	224	215	232	245	255	242	261	275	287	267	288	304	317			
Cond & Evap	Cond	Evap	LO PR	67	71	78	83	70	74	81	86	73	78	85	91	77	82	89	95	79	85	92	98			
Type	Fan	Blower	80	MBh	23.1	23.6	25.2	26.9	22.5	23.0	24.6	26.3	22.0	22.5	24.0	25.7	20.9	21.3	22.8	24.4	19.3	19.8	21.1	22.6		
Size	20	DD10-6		S/T	0.97	0.91	0.74	0.55	0.99	0.93	0.76	0.56	1.00	0.96	0.78	0.58	1.00	0.99	0.81	0.61	1.00	1.00	0.82	0.61		
Motor-HP	1/3	1 / 4		AMPS	8.8	8.9	9.2	9.4	9.3	9.5	9.8	10.1	9.8	10.0	10.3	10.6	10.3	10.5	10.8	11.2	10.8	11.1	11.4	11.7		
Type	PSC	PSC		HI PR	168	181	191	199	191	205	217	226	217	234	247	258	245	263	278	290	270	291	307	320		
FLA	1.4	1.4	LO PR	68	72	79	84	70	75	82	87	74	79	86	92	78	83	90	96	80	85	93	99			
LRA	4.04	3.1	85	MBh	23.5	23.9	25.1	26.8	22.9	23.4	24.5	26.1	22.4	22.8	23.9	25.5	21.2	21.7	22.7	24.2	19.7	20.1	21.0	22.4		
RPM	1100	1075		S/T	1.00	0.98	0.88	0.72	1.00	1.00	0.90	0.73	1.00	1.00	0.93	0.76	1.00	1.00	0.97	0.79	1.00	1.00	0.98	0.79		
Cap MFD/V	5 / 370	5 / 370		AMPS	8.8	9.0	9.2	9.5	9.4	9.6	9.8	10.1	9.9	10.1	10.4	10.7	10.4	10.6	10.9	11.3	10.9	11.1	11.4	11.8		
PTCR	N/A			HI PR	169	182	193	201	193	207	219	228	220	236	249	260	247	266	281	293	273	294	310	323		
Hi Press	N/A		LO PR	69	73	80	85	71	76	83	88	75	80	87	93	78	83	91	97	81	86	94	100			
Low Press	N/A		Air Delivery in CFM - Dry Coil - No Filter ( Add .05 static for Wet Coil)																							
Operating Chg (No Lines)*	See Rating Plate		230 Volt	External Static Press (Inch Water Column)							208 Volt	External Static Press (Inch Water Column)														
Service Driers			Speed Tap	0.15	0.25	0.35	0.45	0.55	0.65	0.75	Speed Tap	0.15	0.25	0.35	0.45	0.55	0.65	0.75								
Liquid/Chg	8 Cu In / 7 oz		HI	-	1085	1041	984	919	846	760	HI	-	922	884	836	781	719	646								
Suction	30 Sq In		MD HI	-	868	828	784	732	668	585	MD HI	-	737	703	666	622	567	497								
Unit Weight	268		MD LO	-	848	809	764	718	680	576	MD LO	-	720	687	649	610	578	489								
			LO	-	-	-	-	-	-	-	LO	-	-	-	-	-	-	-								

50CY500375 - 2.0

Style No:	PA9530AKA / PAPC30GA		1000	Outdoor Ambient Temperature - Degrees F. Dry Bulb																						
Voltage	208 / 230	1	1000	75				85				95				105				115						
				Entering Indoor Temperature - Degrees F. Wet Bulb																						
Ampacity	21	IDB	1000	59	63	67	71	59	63	67	71	59	63	67	71	59	63	67	71	59	63	67	71			
Wire Ga/Ft	NEC	70	MBh	27.9	28.9	31.7	-	27.2	28.2	30.9	-	26.6	27.5	30.2	-	25.2	26.1	28.6	-	23.4	24.2	26.5	-			
Delay Fuse	25		S/T	0.75	0.63	0.44	-	0.77	0.65	0.45	-	0.80	0.67	0.46	-	0.83	0.69	0.48	-	0.84	0.70	0.48	-			
Max. Fuse	30		AMPS	11.2	11.4	11.7	-	12.0	12.2	12.5	-	12.6	12.9	13.2	-	13.3	13.5	13.9	-	13.9	14.2	14.6	-			
Compressor	COPELAND		HI PR	164	177	187	-	187	201	213	-	213	229	242	-	240	258	272	-	265	285	301	-			
RLA	13.5	LO PR	63	67	74	-	66	70	77	-	69	74	80	-	73	77	84	-	75	80	87	-				
LRA	72.5	75	MBh	28.4	29.2	31.6	33.9	27.7	28.5	30.8	33.1	27.0	27.8	30.1	32.3	25.7	26.4	28.6	30.7	23.8	24.5	26.5	28.4			
Cap MFD/V	45 / 370		S/T	0.86	0.77	0.58	0.37	0.88	0.79	0.60	0.38	0.91	0.81	0.61	0.40	0.94	0.84	0.64	0.41	0.95	0.85	0.64	0.41			
CC Heater	N/A		AMPS	11.3	11.5	11.8	12.1	12.1	12.3	12.6	13.0	12.7	13.0	13.3	13.7	13.4	13.6	14.0	14.4	14.0	14.3	14.7	15.1			
Start Kit			HI PR	166	179	189	197	189	203	215	224	215	232	245	255	242	261	275	287	267	288	304	317			
Cond & Evap	Cond	Evap	LO PR	64	68	74	79	67	71	77	82	70	74	81	86	73	78	85	91	76	81	88	94			
Type	Fan	Blower	80	MBh	28.9	29.5	31.5	33.7	28.2	28.8	30.8	32.9	27.5	28.1	30.0	32.1	26.1	26.7	28.5	30.5	24.2	24.7	26.4	28.2		
Size	20	DD10-6		S/T	0.94	0.88	0.72	0.54	0.96	0.90	0.74	0.55	1.00	0.93	0.76	0.57	1.00	0.97	0.79	0.59	1.00	0.98	0.80	0.59		
Motor-HP	1/3	1 / 3		AMPS	11.4	11.6	11.9	12.2	12.1	12.4	12.7	13.1	12.8	13.1	13.4	13.8	13.5	13.7	14.1	14.5	14.1	14.4	14.8	15.3		
Type	PSC	PSC		HI PR	168	181	191	199	191	205	217	226	217	234	247	258	245	263	278	290	270	291	307	320		
FLA	1.4	2.2	LO PR	65	69	75	80	67	72	78	83	71	75	82	87	74	79	86	92	77	81	89	95			
LRA	4.04	5.6	85	MBh	29.4	29.9	31.3	33.4	28.7	29.2	30.6	32.6	28.0	28.5	29.9	31.8	26.6	27.1	28.4	30.3	24.6	25.1	26.3	28.0		
RPM	1120	1075		S/T	0.99	0.95	0.86	0.70	1.00	0.98	0.88	0.71	1.00	1.00	0.91	0.74	1.00	1.00	0.94	0.77	1.00	1.00	0.95	0.77		
Cap MFD/V	5 / 370	5 / 370		AMPS	11.5	11.7	12.0	12.3	12.2	12.5	12.8	13.2	12.9	13.1	13.5	13.9	13.6	13.8	14.2	14.7	14.2	14.5	14.9	15.4		
PTCR	N/A			HI PR	169	182	193	201	193	207	219	228	220	236	249	260	247	266	281	293	273	294	310	323		
Hi Press	N/A		LO PR	65	69	76	81	68	72	79	84	71	76	83	88	75	80	87	92	77	82	90	96			
Low Press	N/A		Air Delivery in CFM - Dry Coil - No Filter ( Add .05 static for Wet Coil)																							
Operating Chg (No Lines)*	See Rating Plate		230 Volt	External Static Press (Inch Water Column)							208 Volt	External Static Press (Inch Water Column)														
Service Driers			Speed Tap	0.15	0.25	0.35	0.45	0.55	0.65	0.75	Speed Tap	0.15	0.25	0.35	0.45	0.55	0.65	0.75								
Liquid/Chg	16 Cu In / 11 oz		HI	-	1130	1086	1033	973	901	817	HI	-	961	923	878	827	766	694								
Suction	30 Sq In		MD HI	-	1069	1023	982	927	863	781	MD HI	-	909	870	835	788	734	664								
Unit Weight	262		MD LO	-	976	946	946	910	863	805	MD LO	-	830	804	804	774	734	684								
			LO	-	-	-	-	-	-	-	LO	-	-	-	-	-	-	-								

50CY500372 - 2.0

Style No:	PA9536AKA / PAPC36GA		Outdoor Ambient Temperature - Degrees F. Dry Bulb																					
Voltage	208 / 230		75				85				95				105				115					
Phase	1		Entering Indoor Temperature - Degrees F. Wet Bulb																					
Ampacity	29		IDB	59	63	67	71	59	63	67	71	59	63	67	71	59	63	67	71	59	63	67	71	
Wire Ga/Ft	NEC		70	MBh	33.1	34.3	37.6	-	32.3	33.5	36.7	-	31.5	32.7	35.8	-	29.9	31.0	34.0	-	27.7	28.7	31.5	-
Delay Fuse	30			S/T	0.76	0.64	0.44	-	0.78	0.65	0.45	-	0.81	0.68	0.47	-	0.84	0.70	0.49	-	0.85	0.71	0.49	-
Max. Fuse	45			AMPS	13.4	13.6	14.0	-	14.3	14.5	14.9	-	15.0	15.3	15.8	-	15.8	16.1	16.6	-	16.6	16.9	17.4	-
Compressor	COPELAND			HI PR	170	183	193	-	193	208	219	-	220	237	250	-	247	266	281	-	273	294	311	-
RLA	16		LO PR	62	66	72	-	64	68	75	-	68	72	78	-	71	75	82	-	73	78	85	-	
LRA	88		75	MBh	33.6	34.6	37.5	40.2	32.8	33.8	36.6	39.3	32.0	33.0	35.7	38.3	30.4	31.3	33.9	36.4	28.2	29.0	31.4	33.7
Cap MFD/V	50 / 370			S/T	0.87	0.78	0.59	0.38	0.89	0.80	0.60	0.39	0.92	0.82	0.62	0.40	0.95	0.85	0.65	0.42	0.96	0.86	0.65	0.42
CC Heater				AMPS	13.5	13.7	14.1	14.5	14.4	14.7	15.0	15.5	15.2	15.5	15.9	16.4	15.9	16.3	16.7	17.2	16.7	17.1	17.5	18.1
Start Kit				HI PR	172	185	195	203	195	210	222	231	222	239	252	263	250	269	284	296	276	297	314	327
Cond & Evap	Cond	Evap	LO PR	62	66	73	77	65	69	75	80	68	73	79	84	71	76	83	88	74	79	86	91	
Type	Fan	Blower	80	MBh	34.2	35.0	37.4	40.0	33.4	34.2	36.5	39.0	32.6	33.3	35.6	38.1	31.0	31.7	33.8	36.2	28.7	29.3	31.3	33.5
Size	20	DD10-8		S/T	0.95	0.89	0.73	0.54	0.98	0.92	0.75	0.56	1.00	0.95	0.77	0.58	1.00	0.98	0.80	0.60	1.00	0.99	0.81	0.60
Motor-HP	1/3	1 / 2		AMPS	13.6	13.8	14.2	14.6	14.5	14.8	15.2	15.6	15.3	15.6	16.0	16.5	16.1	16.4	16.8	17.4	16.9	17.2	17.7	18.2
Type	PSC	PSC		HI PR	173	186	197	205	197	212	224	234	224	241	255	266	252	272	287	299	279	300	317	331
FLA	1.4	4.9	LO PR	63	67	73	78	66	70	76	81	69	73	80	85	72	77	84	89	75	79	87	92	
LRA	4.04	7.4	85	MBh	34.8	35.5	37.2	39.7	34.0	34.7	36.3	38.7	33.2	33.8	35.4	37.8	31.5	32.1	33.7	35.9	29.2	29.8	31.2	33.3
RPM	1120	1075		S/T	1.00	0.96	0.87	0.71	1.00	0.99	0.89	0.72	1.00	1.00	0.92	0.75	1.00	1.00	0.96	0.78	1.00	1.00	0.96	0.78
Cap MFD/V	5 / 370	5 / 370		AMPS	13.7	13.9	14.3	14.7	14.6	14.9	15.3	15.7	15.4	15.7	16.1	16.6	16.2	16.5	17.0	17.5	17.0	17.3	17.8	18.4
PTCR	N/A			HI PR	175	188	199	207	199	214	226	236	227	244	258	269	255	274	290	302	282	303	320	334
Hi Press	N/A		LO PR	64	68	74	79	66	70	77	82	70	74	81	86	73	78	85	90	75	80	88	93	
Low Press	N/A		Air Delivery in CFM - Dry Coil - No Filter ( Add .05 static for Wet Coil)																					
Operating Chg (No Lines)*	See Rating Plate 96		230 Volt Speed Tap	External Static Press (Inch Water Column)							208 Volt Speed Tap	External Static Press (Inch Water Column)							50CY500373 - 2.0					
Service Driers			HI	-	1589	1540	1467	1411	13219	1235	HI	-	1351	1309	1247	1199	11236	1050						
Liquid/Chg	16 Cu In / 11 oz		MD HI	-	1471	1427	1379	1329	1256	1181	MD HI	-	1250	1213	1172	1130	1068	1004						
Suction	30 Sq In		MD LO	-	1373	1337	1292	1260	1186	1109	MD LO	-	1167	1136	1098	1071	1008	943						
Unit Weight	302		LO	-	1208	1190	1176	1137	1085	1019	LO	-	1027	1012	1000	966	922	866						

Style No:	PA9542AKA / PAPC42GA		1400	Outdoor Ambient Temperature - Degrees F. Dry Bulb																				
Voltage	208 / 230		1400	75				85				95				105				115				
Phase	1		1400	Entering Indoor Temperature - Degrees F. Wet Bulb																				
Ampacity	25.5		IDB	1400	59	63	67	71	59	63	67	71	59	63	67	71	59	63	67	71	59	63	67	71
Wire Ga/Ft	NEC		70	MBh	39.0	40.5	44.3	-	38.1	39.5	43.3	-	37.2	38.5	42.2	-	35.3	36.6	40.1	-	32.7	33.9	37.1	-
Delay Fuse	35			S/T	0.73	0.61	0.43	-	0.75	0.63	0.44	-	0.78	0.65	0.45	-	0.81	0.67	0.47	-	0.81	0.68	0.47	-
Max. Fuse	40			AMPS	16.2	16.5	17.0	-	17.4	17.7	18.2	-	18.3	18.7	19.2	-	19.3	19.7	20.2	-	20.2	20.7	21.2	-
Compressor	COPELAND			HI PR	179	193	204	-	204	219	231	-	232	250	264	-	261	281	297	-	288	310	328	-
RLA	16.5		LO PR	63	67	73	-	65	69	76	-	68	73	79	-	72	76	83	-	74	79	86	-	
LRA	95		75	MBh	39.7	40.9	44.2	47.5	38.7	39.9	43.2	46.3	37.8	38.9	42.1	45.2	35.9	37.0	40.0	43.0	33.3	34.2	37.1	39.8
Cap MFD/V	55 / 370			S/T	0.84	0.75	0.57	0.36	0.86	0.77	0.58	0.37	0.88	0.79	0.60	0.38	0.92	0.82	0.62	0.40	0.93	0.83	0.63	0.40
CC Heater				AMPS	16.4	16.7	17.1	17.6	17.5	17.8	18.3	18.9	18.5	18.8	19.4	20.0	19.4	19.8	20.4	21.0	20.4	20.8	21.4	22.1
Start Kit				HI PR	181	195	206	214	206	221	234	244	234	252	266	278	264	284	300	312	291	313	331	345
Cond & Evap	Cond	Evap	LO PR	63	67	73	78	66	70	76	81	69	73	80	85	72	77	84	90	75	80	87	93	
Type	Fan	Blower	80	MBh	40.4	41.3	44.1	47.1	39.4	40.3	43.1	46.0	38.5	39.3	42.0	44.9	36.5	37.3	39.9	42.7	33.9	34.6	37.0	39.5
Size	20	DD10-8		S/T	0.92	0.86	0.70	0.52	0.94	0.88	0.72	0.54	0.97	0.91	0.74	0.55	1.00	0.94	0.77	0.57	1.00	0.95	0.77	0.58
Motor-HP	1/3	1 / 2		AMPS	16.5	16.8	17.2	17.8	17.6	18.0	18.5	19.0	18.6	19.0	19.5	20.1	19.6	20.0	20.6	21.2	20.6	21.0	21.6	22.3
Type	PSC	PSC		HI PR	183	197	208	217	208	224	236	246	237	255	269	281	266	287	303	316	294	317	334	349
FLA	1.4	4.9	LO PR	64	68	74	79	66	71	77	82	70	74	81	86	73	78	85	90	76	80	88	94	
LRA	4.04	7.4	85	MBh	41.1	41.9	43.9	46.8	40.1	40.9	42.8	45.7	39.1	39.9	41.8	44.6	37.2	37.9	39.7	42.4	34.4	35.1	36.8	39.2
RPM	1120	1075		S/T	0.96	0.93	0.84	0.68	0.98	0.95	0.86	0.70	1.00	0.98	0.89	0.72	1.00	1.00	0.92	0.75	1.00	1.00	0.93	0.75
Cap MFD/V	5 / 370	5 / 370		AMPS	16.6	16.9	17.4	17.9	17.7	18.1	18.6	19.2	18.7	19.1	19.7	20.3	19.7	20.1	20.7	21.4	20.7	21.2	21.8	22.5
PTCR	N/A			HI PR	185	199	210	219	210	226	239	249	239	257	272	283	269	289	306	319	297	320	338	352
Hi Press	N/A		LO PR	65	69	75	80	67	71	78	83	70	75	82	87	74	79	86	91	76	81	89	94	
Low Press	N/A		Air Delivery in CFM - Dry Coil - No Filter ( Add .05 static for Wet Coil)																					
Operating Chg (No Lines)*	See Rating Plate 96		230 Volt Speed Tap	External Static Press (Inch Water Column)							208 Volt Speed Tap	External Static Press (Inch Water Column)							50CY500374 - 2.0					
Service Driers			HI	-	1589	-	1467	1411	13219	1235	HI	-	1351	-	1247	1199	11236	1050						
Liquid/Chg	16 Cu In / 11 oz		MD HI	-	1471	1427	1379	1329	1256	1181	MD HI	-	1250	1213	1172	1130	1068	1004						
Suction	30 Sq In		MD LO	-	1373	1337	1292	1260	1186	1109	MD LO	-	1167	1136	1098	1071	1008	943						
Unit Weight	310		LO	-	1208	1190	1176	1137	1085	1019	LO	-	1027	1012	1000	966	922	866						

Style No:	PA9548AKA / PAPC48GA		Outdoor Ambient Temperature - Degrees F. Dry Bulb																															
Voltage	208 / 230		75				85				95				105				115															
Phase	1		Entering Indoor Temperature - Degrees F. Wet Bulb																															
Ampacity	30.9		59				63				67				71				59				63				67				71			
Wire Ga/Ft	NEC		IDB																															
Delay Fuse	45		70																															
Max. Fuse	60		75																															
Compressor	SCROLL		80																															
RLA	18.3		85																															
LRA	109		75																															
Cap MFD/V	60 / 370		75																															
CC Heater			75																															
Start Kit			75																															
Cond & Evap	Cond	Evap																																
	Type	Fan	Blower																															
Size	20	DD10-8	80																															
Motor-HP	1/3	1	80																															
Type	PSC	PSC	80																															
FLA	1.7	6.3	80																															
LRA	5	13.2	80																															
RPM	1140	1075	80																															
Cap MFD/V	7.5/370	20/370	80																															
PTCR	N/A		85																															
Hi Press	N/A		85																															
Low Press	N/A		85																															
Operating Chg (No Lines)*	See Rating Plate		Air Delivery in CFM - Dry Coil - No Filter (Add .05 static for Wet Coil)																															
Service Driers	30 Cu In / 17 oz	Suction	230 Volt								208 Volt																							
			Speed Tap	0.15	0.25	0.35	0.45	0.55	0.65	0.75	Speed Tap	0.15	0.25	0.35	0.45	0.55	0.65	0.75																
Unit Weight	318	30 Sq In	HI	-	1904	1822	1736	1635	1530	1411	HI	-	1618	1549	1476	1390	1301	1199																
			MD HI	-	1827	1759	1670	1572	1478	1377	MD HI	-	1553	1495	1420	1336	1256	1170																
			MD LO	-	1707	1651	1577	1497	1417	1322	MD LO	-	1451	1403	1340	1272	1204	1124																
			LO	-	-	-	-	-	-	-	LO	-	-	-	-	-	-	-																
			50CY500376 - 2.0																															