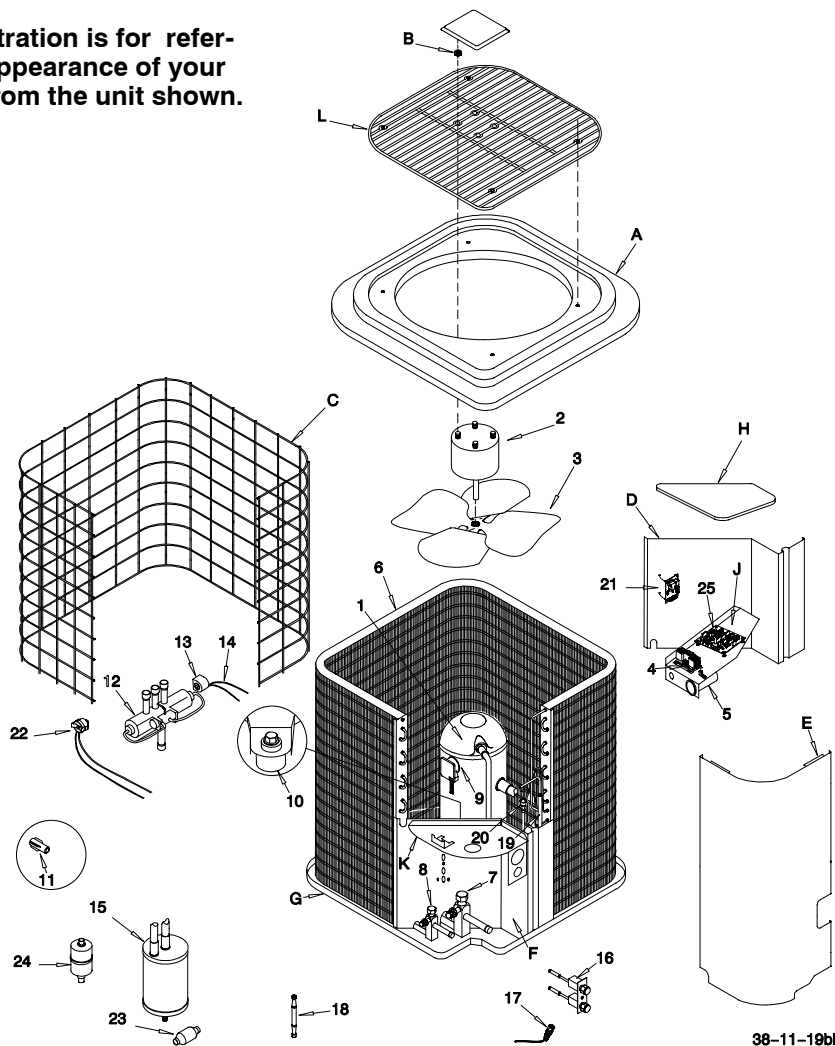


Replacement Parts, W/D & Tech Data CHP018-060 Series

NOTE: This illustration is for reference only. The appearance of your unit may differ from the unit shown.



38-11-19bh

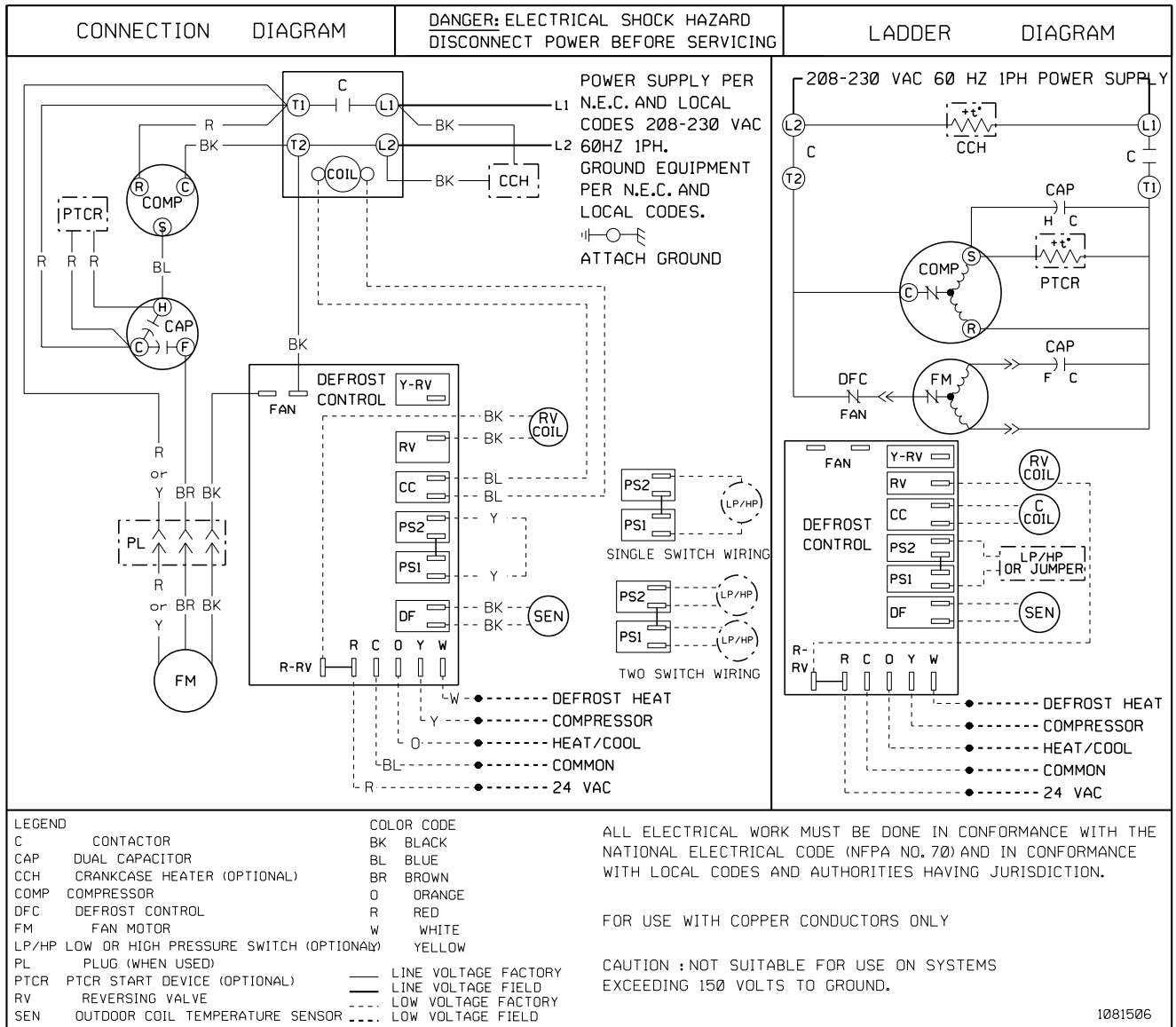
DESCRIPTION	PART NUMBER	Model Variants																		
		CHP018AKA1	CHP018GKA1	CHP024AKA1	CHP024GKA1	CHP030AKA1	CHP030GKA1	CHP036AKA1	CHP036GKA1	CHP042AKA1	CHP042GKA1									
Panel, Top	1085983	1	1																	
	1085997	-	-	1	1	1	1	1	1	1	1	1	1	1	1	1	1	1	1	1
	1086061	-	-	-	-	-	-	-	-	-	-	-	-	-	-	-	-	-	-	-
Nut, Hex	1086356	4	4	4	4	4	4	4	4	4	4	4	4	4	4	4	4	4	4	4
Grille, Inlet	1085995	1																		
* Indicates Coil Guard	*1086303	-	1																	
	1086054	-	1																	
	*1086304	-	1																	
	1086251	-	-	1																
	*1086306	-	-	1																
	1086253	-	-	-	1															
	*1086307	-	-	-	1															
	1086527	-	-	-	-	1														
	*1086311	-	-	-	-	-	1													
	1087092	-	-	-	-	-	-	1												
	*1087188	-	-	-	-	-	-	-	1											
	1086329	-	-	-	-	-	-	-	-	1										
	*1087180	-	-	-	-	-	-	-	-	-	1									
	1086257	-	-	-	-	-	-	-	-	-	-	1	1	1	1	1	1	1	1	1
	*1087177	-	-	-	-	-	-	-	-	-	-	-	1	1	1	1	1	1	1	1
Box, Control	1086849	1	1	1	1	1	1	1	1	1	1	1	1	1	1	1	1	1	1	1
Cover, Control Box	1086037	1																		
	1086213	-	1	1																
	1086215	-	-	-	1															
	1086214	-	-	-	-	1														
	1086359	-	-	-	-	-	1													
	1086360	-	-	-	-	-	-	1												
	1086215	-	-	-	-	-	-	-	1	1	1	1	1	1	1	1	1	1	1	1
Panel, Corner	1086043	1																		
	1086343	-	1	1																
	1086345	-	-	-	1															
	1086347	-	-	-	-	1														
	1086349	-	-	-	-	-	1													
	1086350	-	-	-	-	-	-	1												
Panel, Base	1085982	1	1																	
	1086041	-	-	1	1	1	1	1	1	1	1	1	1	1	1	1	1	1	1	1
	1086060	-	-	-	-	-	-	-	-	-	-	-	-	-	-	-	-	-	-	-
Top, Control Box	1086045	1	1	1	1	1	1	1	1	1	1	1	1	1	1	1	1	1	1	1
Shelf, Control Box	1086363	1	1																	
	1086044	-	-	1	1	1	1	1	1	1	1	1	1	1	1	1	1	1	1	1
Bottom, Control Box	1086039	1	1	1	1	1	1	1	1	1	1	1	1	1	1	1	1	1	1	1
Grille, Top Discharge	1085984	1	1																	
	1086050	-	-	1	1	1	1	1	1	1	1	1	1	1	1	1	1	1	1	1
	1086062	-	-	-	-	-	-	-	-	-	-	-	-	-	-	-	-	-	-	-
Manual, Parts List	4284320103	1	1	1	1	1	1	1	1	1	1	1	1	1	1	1	1	1	1	1
Manual, Owners	42802300100	1	1	1	1	1	1	1	1	1	1	1	1	1	1	1	1	1	1	1
Manual, Installation	42101320103	1	1	1	1	1	1	1	1	1	1	1	1	1	1	1	1	1	1	1

Replacement Parts - CHP018-060 Series

DESCRIPTION	PART NUMBER	CHP018AKA1	CHP018GKA1	CHP024AKA1	CHP024GKA1	CHP030AKA1	CHP030GKA1	CHP036AKA1	CHP036GKA1	CHP042AKA1	CHP042GKA1	CHP048AKA1	CHP048GKA1	CHP048AKAA	CHP048GKAA	CHP060AKA1	CHP060GKA1	CHP060AKA2	CHP060GKA2	CHP060AKA3	CHP060GKA3
		*	*	*	*	*	*	*	*	*	*	*	*	*	*	*	*	*	*	*	*
Compressor, ZR16KCPFV ZR24KCPFV ZR28KCPFV ZR36KCPFV ZR42KCPFV ZR47KCPFV ZR61KCPFV	1080975	1																			
	1080976	-	1																		
	1082500	-	-	1																	
	1082501	-	-	-	1																
	1082502	-	-	-	-	1															
	1084518	-	-	-	-	-	-	1						1							
	** ZR61KCPFV-133	-	-	-	-	-	-	-	-	-	-	-	-	-	-	1	1	1	1	1	1
Motor, Condenser Fan	1086598	1	1																		
	1085926	-	-	1		1		1		1											
	1086397	-	-	-	-	-	-	-	-	1		1		1		1	1	1	1	1	1
Fan Blade	1087420	1	1																		
	1086516	-	-	1		1															
	1086446	-	-	-	-	-	-	1													
	1086520	-	-	-	-	-	-	-	1												
	1086519	-	-	-	-	-	-	-	-	1						1	1	1	1	1	1
Contactor, 25 Amp 35 Amp 40 Amp	1050699	1	1	1	1	1	1	1	1	1	1	1	1	1	1	1	1	1	1	1	1
	1050839	-	-	-	-	-	-	-	1		1		1		1		1		1		1
	1059574	-	-	-	-	-	-	-	-	-	-	-	-	-	1	1	1	1	1	1	1
	1086677	1																			
Capacitor, 370 Volt, 3+30 Mfd 370 Volt 3+35 Mfd 440 Volt 5+35 Mfd 440 Volt 5+40 Mfd 370 Volt 7.5+50 Mfd 370 Volt 7.5+60 Mfd 370 Volt 7.5+80 Mfd 370 Volt 7.5+70 Mfd	1086678	-	1																		
	1086641	-	-	1																	
	1086642	-	-	-	1			1													
	1086646	-	-	-	-	-	-	-	1		1		1								
	***1086649	-	-	-	-	-	-	-	-	-	-	-	-	-	1	-	-	-	-	-	-
	***1086650	-	-	-	-	-	-	-	-	-	-	-	-	-	-	1	-	-	-	-	-
	***1087951	-	-	-	-	-	-	-	-	-	-	-	-	-	-	-	-	-	-	1	1
Condenser Coil	1086628	1																			
	1086456	-	1																		
	1086458	-	-	1																	
	1086661	-	-	-	1																
	1086662	-	-	-	-	1				1											
	1086663	-	-	-	-	-	-	-	1			1									
	1087415	-	-	-	-	-	-	-	-	-	1			1							
Service Valve (Suction)	1086738	1	1																		
	1085991	-	-	1		1															
	1085988	-	-	-	-	-	-	1		1		1		1		1	1	1	1	1	1
Service Valve (Liquid)	1085989	1	1	1	1	1	1	1	1	1	1	1	1	1	1	1	1	1	1	1	1
Plug, Compressor Harness	1081938	1	1																		
	1081939	-	-	1		1		1								1	1	1	1	1	1
	1083020	-	-	-	-	-	-	-	-	1		1									
Grommet, Compressor	1052060	4	4	4	4	4	4	4	4	4	4	4	4	4	4	4	4	4	4	4	
Restrictor, .048 .056 .063 .070 .073 .082 .093	1057994	1																			
	1055490	-	1																		
	1052933	-	-	1																	
	1053644	-	-	-	1																
	1054027	-	-	-	-	1				1											
	1092222	-	-	-	-	-	-	-	-	1		1									
	1055493	-	-	-	-	-	-	-	-	-	-	-	-	-	1	1	1	1	1	1	1
Valve, Reversing	34329022	1	1																		
	34329020	-	-	1																	
	34329000	-	-	-	1																
	513542	-	-	-	-	1				1											
	34329002	-	-	-	-	-	-	-	1		1		1								
34329030	-	-	-	-	-	-	-	-	-	-	-	-	-	1	1	1	1	1	1	1	
Coil, Reversing Valve	34329055	1	1	1	1	1	1	1	1	1	1	1	1	1	1	1	1	1	1	1	
Harness, Reversing Valve Coil	1066711	1	1	1	1	1	1	1	1	1	1	1	1	1	1	1	1	1	1	1	
Accumulator	1063781	1	1																		
	1092835	-	-	1		1															
	1081064	-	-	-	-	-	-	1													
	1081063	-	-	-	-	-	-	-	-	1		1		1							
	1081065	-	-	-	-	-	-	-	-	-	-	-	-	-	1	1	1	1	1	1	1
Port Valve Assy	1080998	1	1	1	1	1	1	1	1	1	1	1	1	1	1	1	1	1	1	1	
Switch, Low Pressure	1081019	1	1	1	1	1	1	1	1	1	1	1	1	1	1	1	1	1	1	1	
Control, Flow .041 .051 .054 .063 .069 .076 .080	1080981	1																			
	1080982	-	1																		
	1080983	-	-	1																	
	1080984	-	-	-	1																
	1080985	-	-	-	-	1				1											
	1080986	-	-	-	-	-	-	-	-	1		1									
	1080987	-	-	-	-	-	-	-	-	-	-	-	-	-	1	1	1	1	1	1	1
Distributor	1052830	1																			
	1053086	-	1	1	1	1															
	1053087	-	-	-	-	-	-	1													
	1052793	-	-	-	-	-	-	-	-	1		1		1							
	1053087	-	-	-	-	-	-	-	-	-	-	-	-	-	1	1	1	1	1	1	1
Control, Defrost	1069364	1	1	1	1	1	1	1	1	1	1	1	1	1	1	1	1	1	1	1	
Sensor, Defrost Control	1082738	1	1	1	1	1	1	1	1	1	1	1	1	1	1	1	1	1	1	1	
Muffler	1059730	1	1	1	1	1	1	1	1	1	1	1	1	1	1	1	1	1	1	1	
Drier	1064507	1	1	1	1	1	1	1	1	1	1	1	1	1	1	1	1	1	1	1	

**ZR61KCPFV133 Replacement on all 5 ton

***1087950 Cap must be used with compressor change for A1 and A2 models



		PISTON CHART																																	
		COIL MODELS (1)																																	
Outdoor Units (2)		EPA/D/M18	EPA/D/M24	EPA/D/M30	EPA/D/M36	EPA/D/M42	EPA/D/M48	EPA/D/M60	EPP024	EPP030	EPP036	EAH5524SA	EAH5536SA	EAH5548SA	EAH5560SA	EEA/D24	EEA/D30	EEA/D36	EEA/D48	EEA/D60	EMH24	EMH30	EMH36	EMH42	EMH48	FCP24	FCP30	FCP36	FCP42	FCP48	FCP60				
		(51)	(59)	(65)	(72)	(78)	(79)	(90)	(59)	(65)	(72)	(56)	(71)	(84)	(89)	(51)	(59)	(65)	(78)	(79)	(59)	(65)	(72)	(78)	(79)	(59)	(65)	(72)	(78)	(79)	(90)				
CHP018(48)		48	48									48									48					48									
CHP024(56)				56								56										56				56	56								
CHP030(63)					63								63										63				65	63							
CHP036(70)						70							71											70											
CHP042(73)							73							73										73								73	73		
CHP048(82)								82	82						84																	82			82
CHP060(93)										93																									93

(1) - The number in parentheses with the coil model number is the size of the piston installed in the coil. The installer must change the pin to the size indicated in the chart if it is different from the factory installed pin.

(2) - The number in parentheses following the outdoor unit model number is the size of the piston shipped with the outdoor unit.

Note: If the required orifice is not shipped with the outdoor unit or coil it must be field supplied.

Style No:	CHP018 / HHP018	Outdoor Ambient Temperature - Degrees F. Dry Bulb																															
Voltage	208/230	Phase	1	Ampacity	13.4	Wire Ga	14	Wire Ft	45	Delay Fuse	15	Max. Fuse	20	75				85				95				105				115			
														Entering Indoor Temperature - Degrees F. Wet Bulb																			
		IDE		59 63 67 71				59 63 67 71				59 63 67 71				59 63 67 71				59 63 67 71													
Compressor	COPELAND	75	MBh	16.5	17.0	18.4	19.8	16.1	16.6	18.0	19.3	15.8	16.2	17.6	18.8	15.0	15.4	16.7	17.9	13.9	14.3	15.4	16.6										
RLA	9		S/T	.87	.78	.59	.38	.89	.80	.60	.39	.92	.82	.62	.40	.95	.85	.65	.42	.96	.86	.65	.42										
LRA	42		AMPS	5.4	5.5	5.7	5.9	5.8	5.9	6.1	6.4	6.2	6.3	6.5	6.8	6.6	6.7	6.9	7.2	7.0	7.1	7.4	7.6										
Cap MFD/V	30 / 370		HI PR	169	182	192	200	192	207	218	228	219	235	248	259	246	265	280	292	272	293	309	322										
CG Heater	NONE	80	LO PR	63	67	73	78	66	70	76	81	69	73	80	85	72	77	84	90	75	80	87	93										
Start Kit	NONE		MBh	16.8	17.2	18.4	19.6	16.4	16.8	17.9	19.2	16.0	16.4	17.5	18.7	15.2	15.6	16.6	17.8	14.1	14.4	15.4	16.5										
Fan Motor-HP	1/5		S/T	.95	.89	.73	.54	.98	.92	.75	.56	1.00	.95	.77	.58	1.00	.98	.80	.60	1.00	.99	.81	.60										
Type	PSC		AMPS	5.4	5.5	5.7	5.9	5.9	6.0	6.2	6.4	6.2	6.4	6.6	6.8	6.6	6.8	7.0	7.3	7.0	7.2	7.4	7.7										
FLA	1.3	85	HI PR	171	184	194	202	194	209	220	230	221	238	251	262	248	267	282	295	275	295	312	325										
LRA	2.3		LO PR	64	68	74	79	66	71	77	82	70	74	81	86	73	78	85	90	76	80	88	94										
RPM	1075		MBh	17.1	17.5	18.3	19.5	16.7	17.0	17.8	19.0	16.3	16.6	17.4	18.6	15.5	15.8	16.5	17.6	14.4	14.6	15.3	16.3										
Cap MFD/V	3 / 370		S/T	1.00	.96	.87	.71	1.00	.99	.89	.72	1.00	1.00	.92	.75	1.00	1.00	.96	.78	1.00	1.00	.96	.78										
PTCR	NONE	Heating		Outdoor Ambient Temperature - Degrees F. Dry Bulb																													
Hi Press	NONE	IDB		65 60 55 50				47 45 40 35				30 25 20 17				15 10 5 0				-5 -10													
Low Press	NONE	70	MBh	22.0	20.8	19.6	18.3	17.5	17.0	15.8	14.5	12.5	11.5	10.6	10.0	9.6	8.6	7.7	6.7	6.7	5.7	4.7											
Low Amb	NONE		T/R	31	30	28	26	25	24	22	21	18	16	15	14	14	12	11	10	8	7												
Defrost	ElecTime-Temp		KW	1.5	1.4	1.4	1.4	1.4	1.4	1.3	1.3	1.3	1.2	1.2	1.2	1.1	1.1	1.1	1.1	1.1	1.0	1.0											
Sensor	31-71		AMPS	7.6	7.0	6.6	6.2	6.0	5.9	5.6	5.3	5.1	4.9	4.6	4.5	4.5	4.3	4.0	3.8	3.5	3.2												
Operating Chg (25 Ft Line)*	(R-22Oz)	70	COP	4.4	4.3	4.1	3.9	3.8	3.7	3.5	3.3	2.9	2.8	2.6	2.5	2.5	2.3	2.1	1.9	1.6	1.4												
Service Driers			EER	15.0	14.5	14.0	13.4	13.0	12.7	12.1	11.4	10.0	9.5	9.0	8.6	8.4	7.7	7.1	6.3	5.6	4.7												
Liquid/Chg	5Culn/5oz		HI PR	251	241	231	221	216	212	204	195	187	179	172	168	165	158	152	146	141	136												
Suction	17SqIn		LO PR	76	70	66	60	57	55	50	45	41	36	32	30	29	24	21	18	15	12												

Calculated averaged performance data, for service applications for all matches. Part No: 1086781
*Add or Subtract (Oz per Ft) for Lines: .25oz -1/4 Liq, .45oz- 5/16 Liq, .60oz - 3/8 Liq, 1.2 oz - 1/2 Liq

Style No:	CHP024 / HHP024	Outdoor Ambient Temperature - Degrees F. Dry Bulb																															
Voltage	208/230	Phase	1	Ampacity	17	Wire Ga	14	Wire Ft	30	Delay Fuse	20	Max. Fuse	25	75				85				95				105				115			
														Entering Indoor Temperature - Degrees F. Wet Bulb																			
		IDE		59 63 67 71				59 63 67 71				59 63 67 71				59 63 67 71				59 63 67 71													
Compressor	COPELAND	75	MBh	22.0	22.7	24.5	26.3	21.5	22.1	24.0	25.7	21.0	21.6	23.4	25.1	19.9	20.5	22.2	23.8	18.5	19.0	20.6	22.1										
RLA	11.9		S/T	.81	.73	.55	.35	.83	.75	.56	.36	.86	.77	.58	.37	.89	.80	.60	.39	.90	.81	.61	.39										
LRA	59		AMPS	8.1	8.3	8.5	8.8	8.8	9.0	9.3	9.6	9.4	9.6	9.9	10.3	10.0	10.2	10.5	10.9	10.6	10.8	11.2	11.6										
Cap MFD/V	35 / 370		HI PR	186	200	211	220	211	227	240	250	240	259	273	285	271	291	307	321	299	322	340	354										
CG Heater	NONE	80	LO PR	60	64	70	74	62	66	73	77	66	70	76	81	69	73	80	85	71	76	83	88										
Start Kit	NONE		MBh	22.4	22.9	24.5	26.2	21.9	22.4	23.9	25.5	21.3	21.8	23.3	24.9	20.3	20.7	22.1	23.7	18.8	19.2	20.5	21.9										
Fan Motor-HP	1/5		S/T	.89	.84	.68	.51	.91	.86	.70	.52	.94	.88	.72	.54	.98	.92	.75	.56	.99	.93	.75	.56										
Type	PSC		AMPS	8.1	8.3	8.6	8.9	8.8	9.1	9.4	9.7	9.4	9.7	10.0	10.4	10.1	10.3	10.6	11.0	10.7	10.9	11.3	11.7										
FLA	1.3	85	HI PR	188	202	213	222	213	229	242	253	243	261	276	288	273	294	311	324	302	325	343	358										
LRA	2.3		LO PR	61	65	71	75	63	67	73	78	66	71	77	82	69	74	81	86	72	76	83	89										
RPM	1075		MBh	22.8	23.2	24.3	26.0	22.3	22.7	23.8	25.4	21.7	22.1	23.2	24.7	20.6	21.0	22.0	23.5	19.1	19.5	20.4	21.8										
Cap MFD/V	3 / 370		S/T	.93	.90	.81	.66	.96	.92	.83	.68	.99	.95	.86	.70	1.00	.99	.89	.73	1.00	1.00	.90	.73										
PTCR	NONE	Heating		Outdoor Ambient Temperature - Degrees F. Dry Bulb																													
Hi Press	NONE	IDB		65 60 55 50				47 45 40 35				30 25 20 17				15 10 5 0				-5 -10													
Low Press	NONE	70	MBh	30.2	28.6	26.9	25.1	24.0	23.3	21.6	19.9	18.2	16.8	15.5	14.6	14.1	12.6	11.2	9.8	8.3	6.8												
Low Amb	NONE		T/R	35	33	31	29	28	27	25	23	21	19	18	17	16	15	13	11	10	8												
Defrost	ElecTime-Temp		KW	2.1	2.0	2.0	1.9	1.9	1.9	1.8	1.8	1.8	1.7	1.7	1.6	1.6	1.6	1.5	1.5	1.4	1.4												
Sensor	31-71		AMPS	10.9	10.1	9.5	8.9	8.6	8.4	8.0	7.6	7.2	6.9	6.6	6.4	6.3	6.0	5.6	5.3	4.9	4.4												
Operating Chg (25 Ft Line)*	(R-22Oz)	70	COP	4.3	4.2	4.0	3.8	3.7	3.6	3.5	3.3	3.0	2.9	2.7	2.6	2.5	2.3	2.1	1.9	1.7	1.4												
Service Driers			EER	14.7	14.2	13.7	13.1	12.7	12.4	11.8	11.2	10.3	9.8	9.3	8.9	8.7	8.0	7.3	6.6	5.8	4.9												
Liquid/Chg	8Culn/7oz		HI PR	258	247	238	227	222	218	209	201	192	184	176	172	169	163	157	150	145	140												
Suction	30SqIn		LO PR	72	66	62	57	54	52	48	43	38	34	30	28	27	23	20	17	15	11												

Calculated averaged performance data, for service applications for all matches. Part No: 1086782
*Add or Subtract (Oz per Ft) for Lines: .25oz -1/4 Liq, .45oz- 5/16 Liq, .60oz - 3/8 Liq, 1.2 oz - 1/2 Liq

Style No:	CHP030 / HHP030	Outdoor Ambient Temperature - Degrees F. Dry Bulb																					
Voltage	208/230	75	75				85				95				105				115				
			Entering Indoor Temperature - Degrees F. Wet Bulb																				
Phase	1	IDE	59	63	67	71	59	63	67	71	59	63	67	71	59	63	67	71	59	63	67	71	
Ampacity	19.5	75	MBh	27.4	28.2	30.5	32.8	26.8	27.5	29.8	32.0	26.1	26.9	29.1	31.2	24.8	25.5	27.6	29.7	23.0	23.6	25.6	27.5
Wire Ga	14		S/T	.88	.79	.60	.38	.90	.81	.61	.39	.93	.83	.63	.41	.97	.86	.65	.42	.98	.87	.66	.42
Wire Ft	25		AMPS	9.4	9.6	9.9	10.3	10.2	10.4	10.8	11.2	10.9	11.1	11.5	11.9	11.6	11.8	12.2	12.7	12.2	12.5	12.9	13.4
Delay Fuse	25		HI PR	172	185	196	204	196	211	223	232	223	240	253	264	251	270	285	297	277	298	315	329
Max. Fuse	30	80	LO PR	62	66	72	76	64	68	74	79	67	72	78	83	71	75	82	87	73	78	85	90
Compressor	COPELAND		MBh	27.9	28.5	30.5	32.6	27.2	27.8	29.7	31.8	26.6	27.1	29.0	31.0	25.2	25.8	27.6	29.5	23.4	23.9	25.5	27.3
RLA	14.1		S/T	.97	.91	.74	.53	.99	.93	.76	.56	1.00	.96	.78	.58	1.00	.99	.81	.61	1.00	1.00	.82	.61
LRA	73		AMPS	9.5	9.7	10.0	10.4	10.3	10.5	10.9	11.3	11.0	11.2	11.6	12.0	11.7	11.9	12.3	12.8	12.3	12.6	13.1	13.5
Cap MFD/V	35 / 440	85	HI PR	174	187	198	206	198	213	225	234	225	242	256	267	253	273	288	300	280	301	318	332
CC Heater	NONE		LO PR	62	66	72	77	65	69	75	80	68	72	79	84	71	76	83	88	74	78	86	91
Start Kit	NONE		MBh	28.4	28.9	30.3	32.3	27.7	28.2	29.6	31.6	27.0	27.6	28.9	30.8	25.7	26.2	27.4	29.2	23.8	24.2	25.4	27.1
Fan Motor-HP	1/3		S/T	1.00	.98	.88	.72	1.00	1.00	.90	.73	1.00	1.00	.93	.76	1.00	1.00	.97	.79	1.00	1.00	.98	.79
Type	PSC	70	AMPS	9.6	9.8	10.1	10.5	10.4	10.6	11.0	11.4	11.1	11.3	11.7	12.1	11.8	12.1	12.4	12.9	12.5	12.8	13.2	13.7
FLA	1.9		HI PR	176	189	200	208	200	215	227	237	228	245	259	270	256	275	291	303	283	304	321	335
LRA	3.8		LO PR	63	67	73	78	65	70	76	81	69	73	80	85	72	77	84	89	74	79	86	92
RPM	1075		Heating																				
Cap MFD/V	5 / 370	IDB	Outdoor Ambient Temperature - Degrees F. Dry Bulb																				
PTCR	NONE	70	65	60	55	50	47	45	40	35	30	25	20	17	15	10	5	0	-5	-10			
Hi Press	NONE		MBh	36.7	34.7	32.7	30.6	29.2	28.3	26.3	24.2	21.8	20.1	18.5	17.5	16.9	15.1	13.4	11.7	10.0	8.2		
Low Press	NONE		T/R	34	32	30	28	27	26	24	22	20	19	17	16	16	14	12	11	9	8		
Low Amb	NONE		KW	2.5	2.4	2.4	2.3	2.3	2.3	2.2	2.2	2.2	2.1	2.1	2.0	2.0	2.0	1.9	1.8	1.8	1.7		
Defrost	ElecTime-Temp	70	AMPS	13.6	12.6	11.8	11.1	10.7	10.5	9.9	9.4	9.0	8.6	8.2	8.0	7.9	7.5	7.0	6.6	6.1	5.6		
Sensor	31-71		COP	4.3	4.2	4.0	3.8	3.7	3.6	3.5	3.3	2.9	2.8	2.6	2.5	2.5	2.3	2.1	1.9	1.6	1.4		
Operating Chg	(R-22Oz)		EER	14.7	14.3	13.7	13.1	12.7	12.4	11.8	11.2	10.0	9.5	9.0	8.6	8.4	7.7	7.1	6.3	5.6	4.7		
(25 Ft Line)*	132		HI PR	254	244	235	224	219	215	207	198	190	181	174	170	167	161	154	148	143	138		
Service Driers		LO PR	73	68	63	58	55	53	49	43	39	35	31	29	28	23	20	17	15	12			
Liquid/Chg	8Culn/7oz	Calculated averaged performance data, for service applications for all matches.																					
Suction	30Sqn	*Add or Subtract (Oz per Ft) for Lines: .25oz -1/4 Liq, .45oz- 5/16 Liq, .60oz - 3/8 Liq, 1.2 oz - 1/2 Liq																					
		Part No: 1086783																					

Style No:	CHP036 / HHP036	Outdoor Ambient Temperature - Degrees F. Dry Bulb																					
Voltage	208/230	75	75				85				95				105				115				
			Entering Indoor Temperature - Degrees F. Wet Bulb																				
Phase	1	IDE	59	63	67	71	59	63	67	71	59	63	67	71	59	63	67	71	59	63	67	71	
Ampacity	21.9	75	MBh	33.3	34.2	37.1	39.8	32.5	33.4	36.2	38.8	31.7	32.6	35.3	37.9	30.1	31.0	33.5	36.0	27.9	28.7	31.1	33.3
Wire Ga	12		S/T	.81	.73	.55	.35	.83	.75	.56	.36	.86	.77	.58	.37	.89	.80	.60	.39	.90	.81	.61	.39
Wire Ft	30		AMPS	13.3	13.6	14.0	14.6	14.4	14.8	15.3	15.9	15.4	15.8	16.3	17.0	16.4	16.8	17.4	18.1	17.4	17.9	18.5	19.2
Delay Fuse	30		HI PR	183	197	208	217	208	224	236	247	237	255	269	281	267	287	303	316	295	317	335	349
Max. Fuse	35	80	LO PR	61	65	71	75	63	67	74	78	66	71	77	82	70	74	81	86	72	77	84	89
Compressor	COPELAND		MBh	33.9	34.6	37.0	39.5	33.0	33.8	36.1	38.6	32.2	32.9	35.2	37.6	30.6	31.3	33.4	35.7	28.4	29.0	31.0	33.1
RLA	16		S/T	.89	.84	.68	.51	.91	.86	.70	.52	.94	.88	.72	.54	.98	.92	.75	.56	.99	.93	.75	.56
LRA	100		AMPS	13.4	13.7	14.2	14.7	14.6	14.9	15.4	16.0	15.6	16.0	16.5	17.1	16.6	17.0	17.6	18.3	17.6	18.0	18.6	19.4
Cap MFD/V	40 / 440	85	HI PR	185	199	210	219	210	226	239	249	239	258	272	284	269	290	306	319	298	320	338	353
CC Heater	NONE		LO PR	62	65	71	76	64	68	74	79	67	71	78	83	70	75	82	87	73	77	85	90
Start Kit	NONE		MBh	34.4	35.1	36.8	39.2	33.6	34.3	35.9	38.3	32.8	33.4	35.0	37.4	31.2	31.8	33.3	35.5	28.9	29.4	30.8	32.9
Fan Motor-HP	1/3		S/T	.93	.90	.81	.66	.96	.92	.83	.68	.99	.95	.86	.70	1.00	.99	.89	.73	1.00	1.00	.90	.73
Type	PSC	70	AMPS	13.5	13.8	14.3	14.8	14.7	15.1	15.6	16.2	15.7	16.1	16.7	17.3	16.7	17.2	17.7	18.4	17.8	18.2	18.8	19.5
FLA	1.9		HI PR	187	201	212	221	212	228	241	252	242	260	275	287	272	293	309	322	300	323	341	356
LRA	3.8		LO PR	62	66	72	77	65	69	75	80	68	72	79	84	71	76	83	88	74	78	85	91
RPM	1075		Heating																				
Cap MFD/V	5 / 370	IDB	Outdoor Ambient Temperature - Degrees F. Dry Bulb																				
PTCR	NONE	70	65	60	55	50	47	45	40	35	30	25	20	17	15	10	5	0	-5	-10			
Hi Press	NONE		MBh	45.3	42.8	40.4	37.7	36.0	34.9	32.4	29.9	27.2	25.1	23.1	21.8	21.0	18.8	16.7	14.6	12.4	10.2		
Low Press	NONE		T/R	35	33	31	29	28	27	25	23	21	19	18	17	16	15	13	11	10	8		
Low Amb	NONE		KW	3.0	2.9	2.9	2.8	2.8	2.7	2.7	2.6	2.7	2.6	2.5	2.5	2.5	2.4	2.3	2.2	2.2	2.1		
Defrost	ElecTime-Temp	70	AMPS	18.1	16.8	15.7	14.7	14.2	13.9	13.1	12.4	11.9	11.4	10.8	10.6	10.4	9.9	9.2	8.7	8.0	7.2		
Sensor	31-71		COP	4.4	4.3	4.1	3.9	3.8	3.7	3.6	3.4	3.0	2.8	2.7	2.6	2.5	2.3	2.1	1.9	1.7	1.4		
Operating Chg	(R-22Oz)		EER	15.1	14.6	14.1	13.5	13.0	12.8	12.1	11.5	10.2	9.7	9.2	8.8	8.6	7.9	7.2	6.5	5.7	4.8		
(25 Ft Line)*	124		HI PR	237	227	218	209	204	200	192	185	177	169	162	158	155	150	144	138	133	128		
Service Driers		LO PR	68	63	59	54	51	49	45	40	36	32	28	26	26	22	19	16	14	11			
Liquid/Chg	16Culn/11oz	Calculated averaged performance data, for service applications for all matches.																					
Suction	30Sqn	*Add or Subtract (Oz per Ft) for Lines: .25oz -1/4 Liq, .45oz- 5/16 Liq, .60oz - 3/8 Liq, 1.2 oz - 1/2 Liq																					
		Part No: 1086784																					

Style No:	CHP042 / HHP042	Outdoor Ambient Temperature - Degrees F. Dry Bulb																				
		75				85				95				105				115				
		Entering Indoor Temperature - Degrees F. Wet Bulb																				
Voltage	208/230	IDE	59	63	67	71	59	63	67	71	59	63	67	71	59	63	67	71	59	63	67	71
Phase	1																					
Ampacity	25.1																					
Wire Ga	10																					
Wire Ft	40																					
Delay Fuse	30																					
Max. Fuse	40																					
Compressor	COPELAND																					
RLA	18.6																					
LRA	127																					
Cap MFD/V	40 / 440																					
CC Heater	NONE																					
Start Kit	NONE																					
Fan Motor-HP	1/3																					
Type	PSC																					
FLA	1.9																					
LRA	3.8																					
RPM	1075																					
Cap MFD/V	5 / 370																					
PTCR	NONE																					
Hi Press	NONE																					
Low Press	NONE																					
Low Amb	NONE																					
Defrost Sensor	ElecTime-Temp 31-71																					
Operating Chg (25 Ft Line)*	(R-22Oz) 166																					
Service Driers																						
Liquid/Chg	16Culn/11oz																					
Suction	30SqIn																					

Calculated averaged performance data, for service applications for all matches. Part No: 1086785

*Add or Subtract (Oz per Ft) for Lines: .25oz - 1/4 Liq, .45oz - 5/16 Liq, .60oz - 3/8 Liq, 1.2 oz - 1/2 Liq

Style No:	CHP048 / HHP048	Outdoor Ambient Temperature - Degrees F. Dry Bulb																				
		75				85				95				105				115				
		Entering Indoor Temperature - Degrees F. Wet Bulb																				
Voltage	208/230	IDE	59	63	67	71	59	63	67	71	59	63	67	71	59	63	67	71	59	63	67	71
Phase	1																					
Ampacity	28.7																					
Wire Ga	10																					
Wire Ft	40																					
Delay Fuse	35																					
Max. Fuse	50																					
Compressor	COPELAND																					
RLA	21.8																					
LRA	131																					
Cap MFD/V	50 / 370																					
CC Heater	NONE																					
Start Kit	NONE																					
Fan Motor-HP	1/4																					
Type	PSC																					
FLA	1.5																					
LRA	2.9																					
RPM	840																					
Cap MFD/V	7.5 / 370																					
PTCR	NONE																					
Hi Press	NONE																					
Low Press	NONE																					
Low Amb	NONE																					
Defrost Sensor	ElecTime-Temp 31-71																					
Operating Chg (25 Ft Line)*	(R-22Oz) 181																					
Service Driers																						
Liquid/Chg	30Culn/17oz																					
Suction	30SqIn																					

Calculated averaged performance data, for service applications for all matches. Part No: 1086786

*Add or Subtract (Oz per Ft) for Lines: .25oz - 1/4 Liq, .45oz - 5/16 Liq, .60oz - 3/8 Liq, 1.2 oz - 1/2 Liq

Style No:	CHP060 / HHP060	Outdoor Ambient Temperature - Degrees F. Dry Bulb																			
Voltage	208/230	75				85				95				105				115			
Phase	1	Entering Indoor Temperature - Degrees F. Wet Bulb																			
Ampacity	35.3	59 63 67 71				59 63 67 71				59 63 67 71				59 63 67 71				59 63 67 71			
Wire Ga	8	75																			
Wire Ft	45	80																			
Delay Fuse	45	85																			
Max. Fuse	60	Heating																			
Compressor	COPELAND	Outdoor Ambient Temperature - Degrees F. Dry Bulb																			
RLA	27.1	65 60 55 50				45 40 35 30				25 20 17 15				10 5 0 -5 -10							
LRA	144	70																			
Cap MFD/V	** / 370	IDB																			
CC Heater	NONE	MBh																			
Start Kit	NONE	S/T																			
Fan Motor-HP	1/4	TIR																			
Type	PSC	KW																			
FLA	1.5	AMPS																			
LRA	2.9	COP																			
RPM	840	EER																			
Cap MFD/V	7.5 / 370	HI PR																			
PTCR	NONE	LO PR																			
Hi Press	NONE	Calculated averaged performance data, for service applications for all matches.																			
Low Press	NONE	Part No:																			
Low Amb	NONE	*Add or Subtract (Oz per Ft) for Lines: .25oz -1/4 Liq, .45oz- 5/16 Liq, .60oz -3/8 Liq, 1.2 oz - 1/2 Liq																			
Defrost	ElecTime-Temp	**60 for A1, 80 for A2, 70 for A3 and for A1 and A2 with compressor change																			
Sensor	31-71	1088002																			
Operating Chg (25 Ft Line)*	(R-22Oz) 210																				
Service Driers																					
Liquid/Chg Suction	30CuIn/17oz 30SqIn																				

