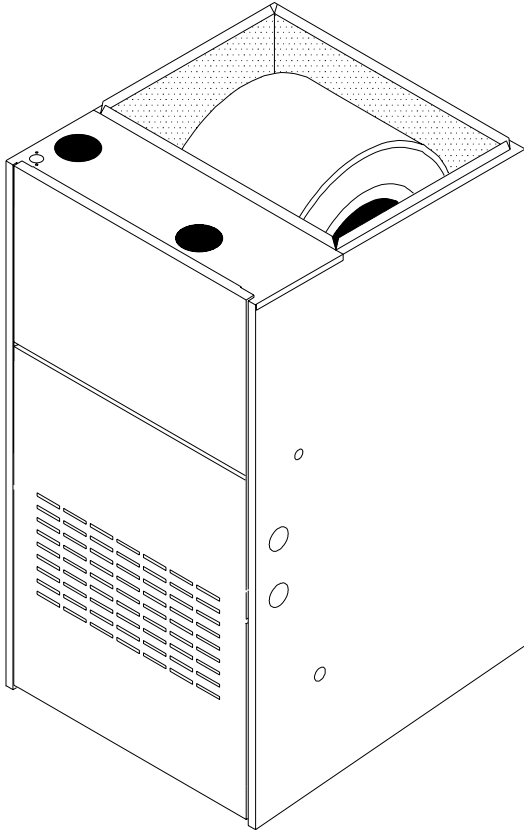


Technical Support Manual



Models

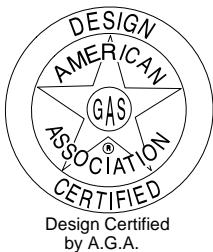
NCGM050EFA3
NCGM075EGA3
NCGM100EHA3
NCGM125EKA3

GCK050N12C3
GCK075N12C3
GCK100N16C3
GCK125N20C3

Manufactured by:

International Comfort Products Corporation (USA)
Lewisburg, TN USA 37091

NCGM/GCK - Dual Certified Condensing Gas Furnace



Save This Manual For Future Reference

THIS DATA IS SUBJECT TO CHANGE WITHOUT NOTICE

Manufacturers Number (Mfr No -See Rating Plate)				NCGM050EFA3/GCK050N12C3																																													
Specifications				Circulation Air Blower Data																																													
GENERAL	Gas Type	Nat	LP	Type & Size	10-8	Filt Type	Washable																																										
	Input (Btuh) Std/Alt.	50,000	50,000					Motor Amps/RPM	4.6/1050	Filt Size (")	(2)16x18"																																						
GAS & IGNITION	Output (Btuh) Std/Alt.	45,500	45,500	Motor Type/ H.P.	PSC/1/3	Min. Cool	1.5																																										
	Temp. Rise (°F)	40-70	40-70	Cap. MFD/Volts	5/370	Cap. (Tons)																																											
	Electrical (Volts/Hz/FLA)	115/60/5.3	115/60/5.3			Max. Cool																																											
COMBUSTION	Transformer Size (VA)	40	40			Cap. (Tons)	3																																										
	T'stat Heat Anticipator	.30	.30																																														
LIMITS & CONTROLS	Gas Valve	HW SV9500	HW SV9500	Air Delivery in Cubic Feet per Minute (C.F.M.) (Furnace Rated @0.5" WC ESP)																																													
	Regulation Type	SNAP	SNAP																																														
	Manifold Press. (Inch's WC)	3.5	10.0																																														
GAS & IGNITION	Std. Main Orifices (No/Size)	2/#42	2/#54	External Static Pressure Inches of W.C.	<table border="1"> <thead> <tr> <th>TAP</th> <th>LOW</th> <th>MED L</th> <th>MED H</th> <th>HIGH</th> </tr> </thead> <tbody> <tr><td>.10</td><td>718</td><td>840</td><td>1109</td><td>1473</td></tr> <tr><td>.20</td><td>719</td><td>838</td><td>1094</td><td>1431</td></tr> <tr><td>.30</td><td>714</td><td>837</td><td>1086</td><td>1396</td></tr> <tr><td>.40</td><td>692</td><td>819</td><td>1063</td><td>1349</td></tr> <tr><td>.50</td><td>660</td><td>791</td><td>1027</td><td>1291</td></tr> <tr><td>.60</td><td>615</td><td>752</td><td>986</td><td>1222</td></tr> <tr><td>.70</td><td>563</td><td>683</td><td>934</td><td>1141</td></tr> </tbody> </table>					TAP	LOW	MED L	MED H	HIGH	.10	718	840	1109	1473	.20	719	838	1094	1431	.30	714	837	1086	1396	.40	692	819	1063	1349	.50	660	791	1027	1291	.60	615	752	986	1222	.70	563	683	934	1141
	TAP	LOW	MED L		MED H	HIGH																																											
.10	718	840	1109		1473																																												
.20	719	838	1094		1431																																												
.30	714	837	1086		1396																																												
.40	692	819	1063		1349																																												
.50	660	791	1027		1291																																												
.60	615	752	986	1222																																													
.70	563	683	934	1141																																													
COMBUSTION	Pilot Orifice Size	.018	.011																																														
	Ignition Type/Series	HW HSP	HW HSP																																														
LIMITS & CONTROLS	Lock-Out Time	---	---																																														
	Flue Outlet Size (Inches)	2	2	Air Delivery in Liters Per Second (L/S) (Furnace Rated @0.5" WC ESP)																																													
Std. Outlet Temp (°F)	<140	<140	<table border="1"> <thead> <tr> <th>TAP</th> <th>LOW</th> <th>MED L</th> <th>MED H</th> <th>HIGH</th> </tr> </thead> <tbody> <tr><td>.10</td><td>339</td><td>396</td><td>523</td><td>695</td></tr> <tr><td>.20</td><td>339</td><td>395</td><td>516</td><td>675</td></tr> <tr><td>.30</td><td>337</td><td>395</td><td>513</td><td>659</td></tr> <tr><td>.40</td><td>327</td><td>387</td><td>502</td><td>637</td></tr> <tr><td>.50</td><td>311</td><td>373</td><td>485</td><td>609</td></tr> <tr><td>.60</td><td>290</td><td>355</td><td>465</td><td>577</td></tr> <tr><td>.70</td><td>266</td><td>322</td><td>441</td><td>538</td></tr> </tbody> </table>					TAP	LOW	MED L	MED H	HIGH	.10	339	396	523	695	.20	339	395	516	675	.30	337	395	513	659	.40	327	387	502	637	.50	311	373	485	609	.60	290	355	465	577	.70	266	322	441	538		
TAP	LOW	MED L	MED H	HIGH																																													
.10	339	396	523	695																																													
.20	339	395	516	675																																													
.30	337	395	513	659																																													
.40	327	387	502	637																																													
.50	311	373	485	609																																													
.60	290	355	465	577																																													
.70	266	322	441	538																																													
COMBUSTION	Comb. Blower (MFD/Volts)	4/250	4/250	External Static Pressure Inches of W.C.	<table border="1"> <thead> <tr> <th>TAP</th> <th>LOW</th> <th>MED L</th> <th>MED H</th> <th>HIGH</th> </tr> </thead> <tbody> <tr><td>.10</td><td>339</td><td>396</td><td>523</td><td>695</td></tr> <tr><td>.20</td><td>339</td><td>395</td><td>516</td><td>675</td></tr> <tr><td>.30</td><td>337</td><td>395</td><td>513</td><td>659</td></tr> <tr><td>.40</td><td>327</td><td>387</td><td>502</td><td>637</td></tr> <tr><td>.50</td><td>311</td><td>373</td><td>485</td><td>609</td></tr> <tr><td>.60</td><td>290</td><td>355</td><td>465</td><td>577</td></tr> <tr><td>.70</td><td>266</td><td>322</td><td>441</td><td>538</td></tr> </tbody> </table>					TAP	LOW	MED L	MED H	HIGH	.10	339	396	523	695	.20	339	395	516	675	.30	337	395	513	659	.40	327	387	502	637	.50	311	373	485	609	.60	290	355	465	577	.70	266	322	441	538
	TAP	LOW	MED L		MED H	HIGH																																											
.10	339	396	523	695																																													
.20	339	395	516	675																																													
.30	337	395	513	659																																													
.40	327	387	502	637																																													
.50	311	373	485	609																																													
.60	290	355	465	577																																													
.70	266	322	441	538																																													
LIMITS & CONTROLS	Std. Pressures (Inch's of WC)	@Blower	@Burner Box	Differential																																													
	5' No Elbows	-2.30	-.10	-2.4																																													
LIMITS & CONTROLS	40' +5-90° DWV Elbows	-2.20	-.20	-2.0																																													
	Rollout Switch ⁰ F	250	250																																														
LIMITS & CONTROLS	Limit Control Setting (°F)	240	240																																														
	Auxiliary Limit (°F)	120	120																																														
LIMITS & CONTROLS	Fan Control (Type)	HW ST9120	HW ST9120																																														
	Fan Control On	30/60	30/60																																														
LIMITS & CONTROLS	(Timed-Secs) Off	60,100,140,180	60,100,140,180																																														
	Std. Pressure Sw. (Part No)	1008944	1008944																																														
LIMITS & CONTROLS	Press Differential (Close)	1.62	1.62																																														
	Press Differential (Open)	1.38	1.38																																														
LIMITS & CONTROLS	High Alt. Press. Sw (Part No)	1008945	1008945																																														
	Press Differential (Close)	1.40	1.40																																														
LIMITS & CONTROLS	Press Differential (Open)	1.18	1.18																																														

THIS DATA IS SUBJECT TO CHANGE WITHOUT NOTICE

Manufacturers Number (Mfr No -See Rating Plate)				NCGM075EGA3/GCK075N12C3																																													
Specifications				Circulation Air Blower Data																																													
GENERAL	Gas Type	Nat	LP	Type & Size	10-8	Filt Type	Washable																																										
	Input (Btuh) Std/Alt.	75,000	75,000					Motor Amps/RPM	6.8/1050	Filt Size (")	(2)16x18"																																						
GAS & IGNITION	Output (Btuh) Std/Alt.	67,500	67,500	Motor Type/ H.P.	PSC/1/2	Min. Cool	2																																										
	Temp. Rise (°F)	40-70	40-70	Cap. MFD/Volts	7.5/370	Cap. (Tons)																																											
	Electrical (Volts/Hz/FLA)	115/60/7.5	115/60/7.5			Max. Cool																																											
COMBUSTION	Transformer Size (VA)	40	40			Cap. (Tons)	3																																										
	T'stat Heat Anticipator	.30	.30																																														
LIMITS & CONTROLS	Gas Valve	HW SV9500	HW SV9500	Air Delivery in Cubic Feet per Minute (C.F.M.) (Furnace Rated @0.5" WC ESP)																																													
	Regulation Type	SNAP	SNAP																																														
	Manifold Press. (Inch's WC)	3.5	10.0																																														
GAS & IGNITION	Std. Main Orifices (No/Size)	3/#42	3/#54	External Static Pressure Inches of W.C.	<table border="1"> <thead> <tr> <th>TAP</th> <th>LOW</th> <th>MED L</th> <th>MED H</th> <th>HIGH</th> </tr> </thead> <tbody> <tr><td>.10</td><td>778</td><td>984</td><td>1263</td><td>1576</td></tr> <tr><td>.20</td><td>786</td><td>1003</td><td>1249</td><td>1532</td></tr> <tr><td>.30</td><td>790</td><td>1003</td><td>1244</td><td>1489</td></tr> <tr><td>.40</td><td>788</td><td>1001</td><td>1215</td><td>1432</td></tr> <tr><td>.50</td><td>781</td><td>982</td><td>1186</td><td>1371</td></tr> <tr><td>.60</td><td>765</td><td>962</td><td>1146</td><td>1308</td></tr> <tr><td>.70</td><td>743</td><td>923</td><td>1094</td><td>1229</td></tr> </tbody> </table>					TAP	LOW	MED L	MED H	HIGH	.10	778	984	1263	1576	.20	786	1003	1249	1532	.30	790	1003	1244	1489	.40	788	1001	1215	1432	.50	781	982	1186	1371	.60	765	962	1146	1308	.70	743	923	1094	1229
	TAP	LOW	MED L		MED H	HIGH																																											
.10	778	984	1263		1576																																												
.20	786	1003	1249		1532																																												
.30	790	1003	1244		1489																																												
.40	788	1001	1215		1432																																												
.50	781	982	1186		1371																																												
.60	765	962	1146	1308																																													
.70	743	923	1094	1229																																													
COMBUSTION	Pilot Orifice Size	.018	.011																																														
	Ignition Type/Series	HW HSP	HW HSP																																														
LIMITS & CONTROLS	Lock-Out Time	---	---																																														
	Flue Outlet Size (Inches)	2,2 1/2,3	2,2 1/2,3	Air Delivery in Liters Per Second (L/S) (Furnace Rated @0.5" WC ESP)																																													
Std. Outlet Temp (°F)	<140	<140	<table border="1"> <thead> <tr> <th>TAP</th> <th>LOW</th> <th>MED L</th> <th>MED H</th> <th>HIGH</th> </tr> </thead> <tbody> <tr><td>.10</td><td>367</td><td>464</td><td>596</td><td>744</td></tr> <tr><td>.20</td><td>371</td><td>473</td><td>589</td><td>723</td></tr> <tr><td>.30</td><td>373</td><td>473</td><td>587</td><td>703</td></tr> <tr><td>.40</td><td>372</td><td>472</td><td>573</td><td>676</td></tr> <tr><td>.50</td><td>369</td><td>463</td><td>560</td><td>647</td></tr> <tr><td>.60</td><td>361</td><td>454</td><td>541</td><td>617</td></tr> <tr><td>.70</td><td>351</td><td>436</td><td>516</td><td>580</td></tr> </tbody> </table>					TAP	LOW	MED L	MED H	HIGH	.10	367	464	596	744	.20	371	473	589	723	.30	373	473	587	703	.40	372	472	573	676	.50	369	463	560	647	.60	361	454	541	617	.70	351	436	516	580		
TAP	LOW	MED L	MED H	HIGH																																													
.10	367	464	596	744																																													
.20	371	473	589	723																																													
.30	373	473	587	703																																													
.40	372	472	573	676																																													
.50	369	463	560	647																																													
.60	361	454	541	617																																													
.70	351	436	516	580																																													
COMBUSTION	Comb. Blower (MFD/Volts)	4/250	4/250	External Static Pressure Inches of W.C.	<table border="1"> <thead> <tr> <th>TAP</th> <th>LOW</th> <th>MED L</th> <th>MED H</th> <th>HIGH</th> </tr> </thead> <tbody> <tr><td>.10</td><td>367</td><td>464</td><td>596</td><td>744</td></tr> <tr><td>.20</td><td>371</td><td>473</td><td>589</td><td>723</td></tr> <tr><td>.30</td><td>373</td><td>473</td><td>587</td><td>703</td></tr> <tr><td>.40</td><td>372</td><td>472</td><td>573</td><td>676</td></tr> <tr><td>.50</td><td>369</td><td>463</td><td>560</td><td>647</td></tr> <tr><td>.60</td><td>361</td><td>454</td><td>541</td><td>617</td></tr> <tr><td>.70</td><td>351</td><td>436</td><td>516</td><td>580</td></tr> </tbody> </table>					TAP	LOW	MED L	MED H	HIGH	.10	367	464	596	744	.20	371	473	589	723	.30	373	473	587	703	.40	372	472	573	676	.50	369	463	560	647	.60	361	454	541	617	.70	351	436	516	580
	TAP	LOW	MED L		MED H	HIGH																																											
.10	367	464	596	744																																													
.20	371	473	589	723																																													
.30	373	473	587	703																																													
.40	372	472	573	676																																													
.50	369	463	560	647																																													
.60	361	454	541	617																																													
.70	351	436	516	580																																													
LIMITS & CONTROLS	Std. Pressures (Inch's of WC)	@Blower	@Burner Box	Differential																																													
	5' No Elbows	-2.3	-.10	-2.2																																													
LIMITS & CONTROLS	40' +5-90° DWV Elbows	-2.05	-.15	-1.9																																													
	Rollout Switch	200	200																																														
LIMITS & CONTROLS	Limit Control Setting (°F)	180	180																																														
	Auxiliary Limit (°F)	130	130																																														
LIMITS & CONTROLS	Fan Control (Type)	HW ST9120	HW ST9120																																														
	Fan Control On	30/60	30/60																																														
LIMITS & CONTROLS	(Timed-Secs) Off	60,100,140,180	60,100,140,180																																														
	Std. Pressure Sw. (Part No)	1008944	1008819																																														
LIMITS & CONTROLS	Press Differential (Close)	1.62	1.62																																														
	Press Differential (Open)	1.38	1.38																																														
LIMITS & CONTROLS	High Alt. Press. Sw (Part No)	1008945	1008945																																														
	Press Differential (Close)	1.40	1.40																																														
LIMITS & CONTROLS	Press Differential (Open)	1.18	1.18																																														

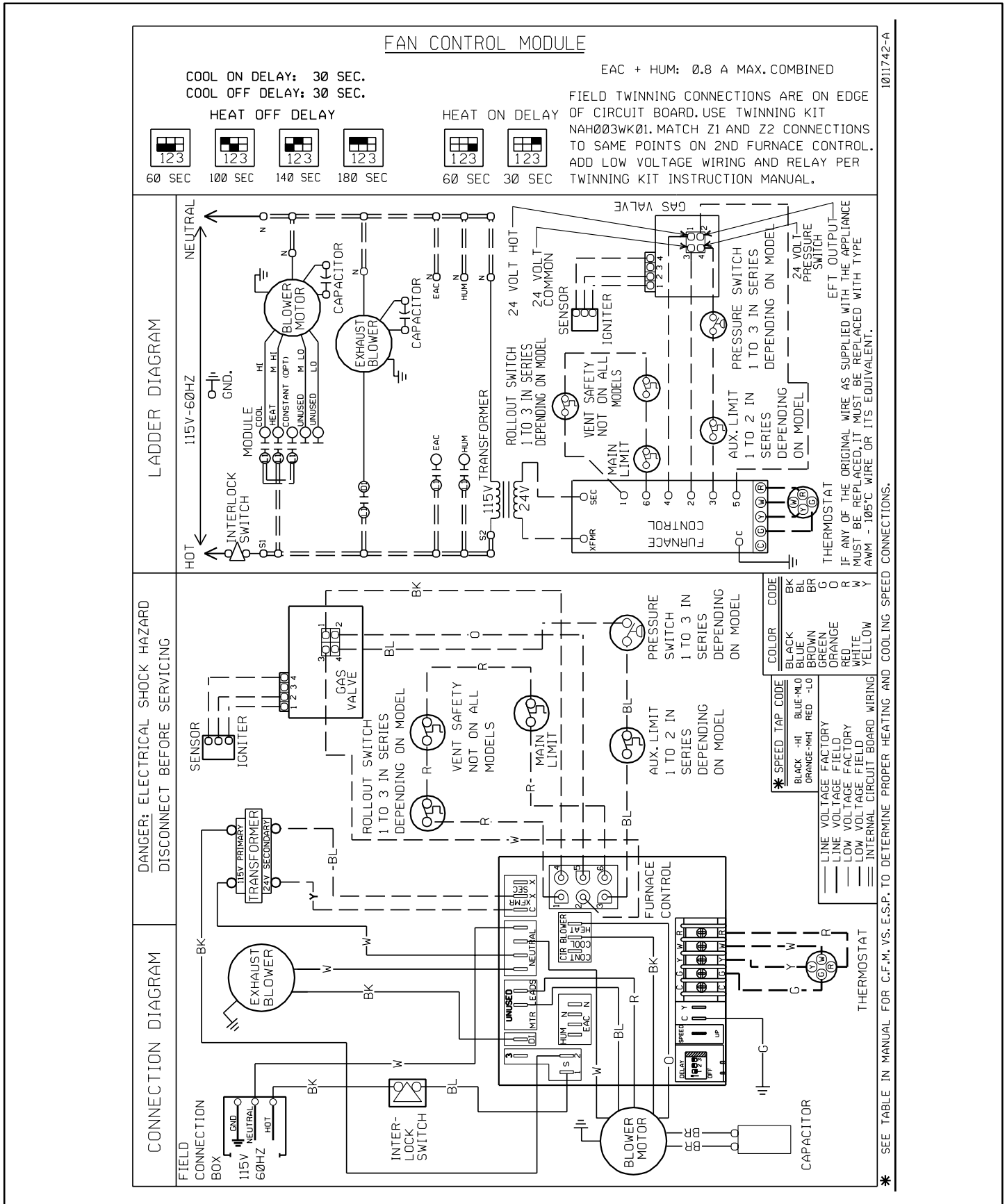
THIS DATA IS SUBJECT TO CHANGE WITHOUT NOTICE

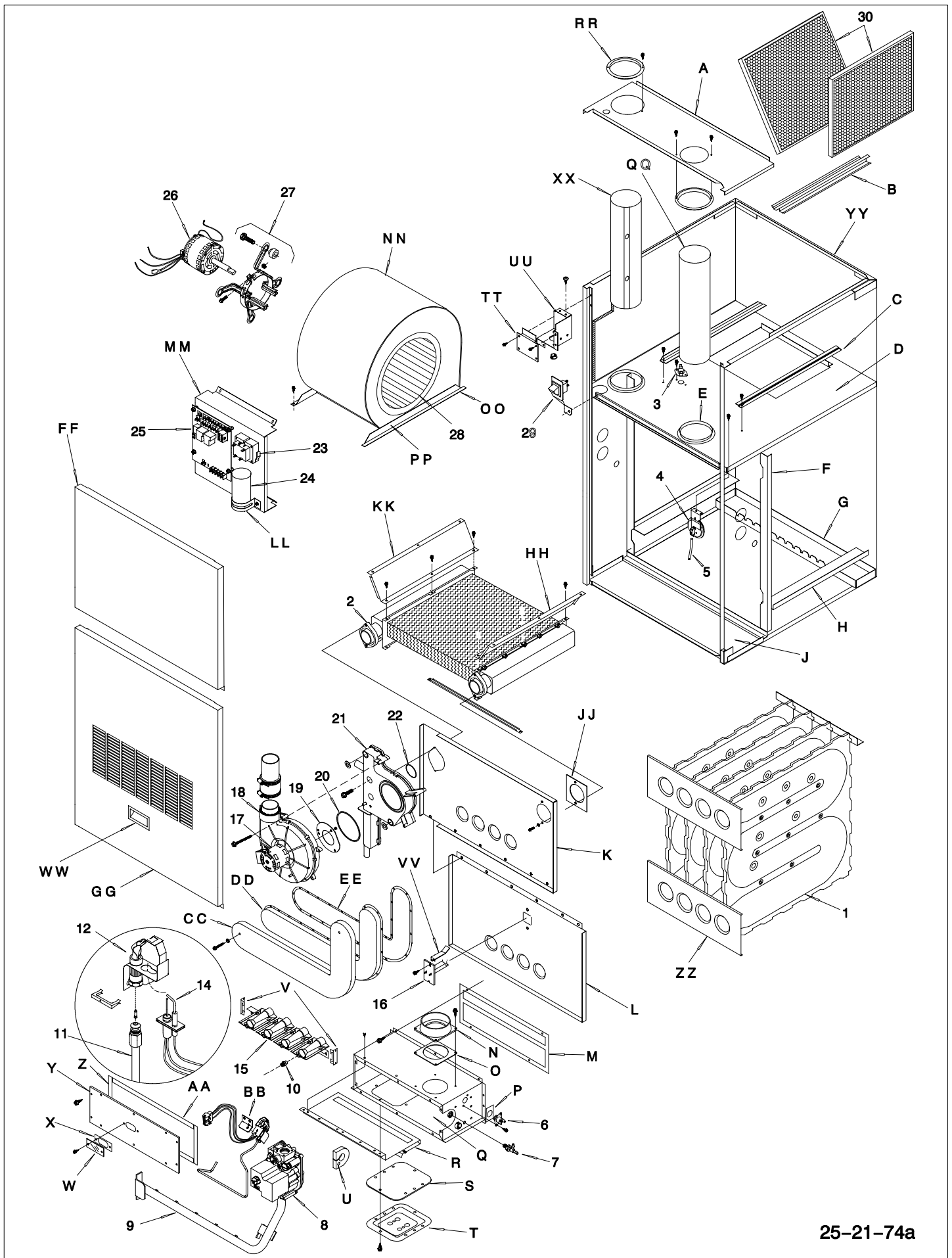
Manufacturers Number (Mfr No -See Rating Plate)				NCGM100EHA3/GCK100N16C3					
Specifications				Circulation Air Blower Data					
GENERAL	Gas Type	Nat	LP	Type & Size	10-10	Filt Type	Washable (2)16x18"		
	Input (Btuh) Std/Alt.	100,000	100,000		Motor Amps/RPM			8.5/1050	Filt Size (")
	Output (Btuh) Std/Alt.	90,000	90,000		Motor Type/ H.P.			PSC/1/2	Min. Cool
GAS & IGNITION	Temp. Rise (°F)	40-70	40-70	Cap. MFD/Volts	10/370	Cap. (Tons)	2		
	Electrical (Volts/Hz/FLA)	115/60/9.2	115/60/9.2			Max. Cool	4		
	Transformer Size (VA)	40	40			Cap. (Tons)			
COMBUSTION	T'stat Heat Anticipator	.30	.30	Air Delivery in Cubic Feet per Minute (C.F.M.) (Furnace Rated @0.5" WC ESP)					
	Gas Valve	HW SV9500	HW SV9500						
	Regulation Type	SNAP	SNAP	External Static Pressure Inches of W.C.	TAP	LOW	MED L	MED H	HIGH
LIMITS & CONTROLS	Manifold Press. (Inch's WC)	3.5	10.0	.10	954	1312	1698	1925	
	Std. Main Orifices (No/Size)	4/#42	4/#54	.20	950	1292	1645	1853	
	Pilot Orifice Size	.018	.011	.30	946	1265	1596	1780	
GAS & IGNITION	Ignition Type/Series	HW HSP	HW HSP	.40	915	1231	1530	1708	
	Lock-Out Time	---	---	.50	878	1175	1455	1638	
	Flue Outlet Size (Inches)	2.2 ¹ / ₂ ,3	2.2 ¹ / ₂ ,3	.60	830	1118	1362	1546	
COMBUSTION	Std. Outlet Temp (°F)	<140	<140	.70	778	1020	1241	1435	
	Comb. Blower (MFD/Volts)	4/250	4/250	Air Delivery in Liters Per Second (L/S) (Furnace Rated @0.5" WC ESP)					
	Std. Pressures (Inch's of WC)	@Blower	@Burner Box						Differential
LIMITS & CONTROLS	5' No Elbows	-2.40	-.10	-2.30	TAP	LOW	MED L	MED H	HIGH
	40' +5-90° DWV Elbows	-1.98	-.20	-1.78	.10	450	619	801	908
	Rollout Switch(°F)	200	200		.20	448	610	776	874
LIMITS & CONTROLS	Limit Control Setting (°F)	240	240	.30	446	597	753	840	
	Auxiliary Limit (°F)	130	130	.40	432	581	722	806	
	Fan Control (Type)	HW ST9120	HW ST9120	.50	414	555	687	773	
LIMITS & CONTROLS	Fan Control On	30/60	30/60	.60	392	528	643	730	
	Fan Control Off	60,100,140,180	60,100,140,180	.70	367	481	586	677	
	Std. Pressure Sw. (Part No)	1008944	1008944						
LIMITS & CONTROLS	Press Differential (Close)	1.62	1.62						
	Press Differential (Open)	1.38	1.38						
	High Alt. Press. Sw (Part No)	1008945	1008945						
LIMITS & CONTROLS	Press Differential (Close)	1.40	1.40						
	Press Differential (Open)	1.18	1.18						

THIS DATA IS SUBJECT TO CHANGE WITHOUT NOTICE

Manufacturers Number (Mfr No -See Rating Plate)				NCGM125EKA3/GCK125N20C3					
Specifications				Circulation Air Blower Data					
GENERAL	Gas Type	Nat	LP	Type & Size	11.8-10.6	Filt Type	Washable (2)16x18"		
	Input (Btuh) Std/Alt.	125,000	125,000		Motor Amps/RPM			9.8/900	Filt Size (")
	Output (Btuh) Std/Alt.	112,500	112,500		Motor Type/ H.P.			PSC/3/4	Min. Cool
GAS & IGNITION	Temp. Rise (°F)	45-75	45-75	Cap. MFD/Volts	10/370	Cap. (Tons)	3.5		
	Electrical (Volts/Hz/FLA)	115/60/10.5	115/60/12.0			Max. Cool	5		
	Transformer Size (VA)	40	40			Cap. (Tons)			
COMBUSTION	T'stat Heat Anticipator	.30	.30	Air Delivery in Cubic Feet per Minute (C.F.M.) (Furnace Rated @0.5" WC ESP)					
	Gas Valve	HW SV9500	HW SV9500						
	Regulation Type	SNAP	SNAP	External Static Pressure Inches of W.C.	TAP	LOW	MED L	MED H	HIGH
LIMITS & CONTROLS	Manifold Press. (Inch's WC)	3.5	10.0	.10	1463	1650	1879	2214	
	Std. Main Orifices (No/Size)	5/#42	5/#54	.20	1429	1635	1859	2154	
	Pilot Orifice Size	.018	.011	.30	1417	1614	1838	2152	
GAS & IGNITION	Ignition Type/Series	HSP	HSP	.40	1389	1579	1806	2106	
	Lock-Out Time	---	---	.50	1364	1556	1773	2049	
	Flue Outlet Size (Inches)	3	3	.60	1339	1513	1725	1981	
COMBUSTION	Std. Outlet Temp (°F)	<140	<140	.70	1299	1470	1668	1903	
	Comb. Blower (MFD/Volts)	4/250	4/250	Air Delivery in Liters Per Second (L/S) (Furnace Rated @0.5" WC ESP)					
	Std. Pressures (Inch's of WC)	@Blower	@Burner Box						Differential
LIMITS & CONTROLS	5' No Elbows	-2.40	-.17	-2.23	TAP	LOW	MED L	MED H	HIGH
	40' +5-90° DWV Elbows	-2.16	-.20	-1.86	.10	690	779	887	1045
	Rollout Switch(°F)	200	200		.20	674	772	877	1017
LIMITS & CONTROLS	Limit Control Setting (°F)	150	150	.30	669	762	867	1016	
	Auxiliary Limit (°F)	130	130	.40	656	745	852	994	
	Fan Control (Type)	HW ST9120	HW ST9120	.50	644	734	837	967	
LIMITS & CONTROLS	Fan Control On	30/60	30/60	.60	632	714	814	935	
	Fan Control Off	60,100,140,180	60,100,140,180	.70	613	694	787	898	
	Std. Pressure Sw. (Part No)	1008944	1008944						
LIMITS & CONTROLS	Press Differential (Close)	1.62	1.62						
	Press Differential (Open)	1.38	1.38						
	High Alt. Press. Sw (Part No)	1008945	1008945						
LIMITS & CONTROLS	Press Differential (Close)	1.40	1.40						
	Press Differential (Open)	1.18	1.18						

1. Wiring Diagram





25-21-74a

Replacement Parts - NCGM/GCK

**Models - NCGM050EFA3, NCGM075EGA3, NCGM100EHA3, NCGM125EKA3 (Natural Gas)
CGK050N12C3, GCK075N12C3, CGK100N16C3, GCK125N20C3 (Natural Gas)**

Replacement part supplied will be current active part. For parts not listed, consult place of purchase.

Key No.	Description Functional	Part Number	050	075	100	125	Key No.	Description Non-Functional	Part Number	050	075	100	125
1	Heat Exchanger Assy	1008876	1	-	-	-	A	Panel Top	1010564	1	1	-	-
		1008877	-	1	-	-			1010565	-	-	1	-
		1008878	-	-	1	-			1010566	-	-	-	1
		1008879	-	-	-	1							
2	Heat Exchanger, Sec.	1010495	1	1	-	-	B	Filter Holder	33411100	1	1	1	1
		1010496	-	-	1	-	C	Rail Blower Slide	33406100	2	2	2	2
		1010497	-	-	-	1	D	Blower Partition	1011036	1	1	-	-
3	Limit Switch, Auxillary	613839	-	1	1	-			1011037	-	-	1	-
		1065702	-	-	-	1	E	Plate, Fill-in	1011038	-	-	-	1
		1056172	1	-	-	-			1011072	1	1	-	-
4	Switch, Pressure	1010895	1	1	1	1			1011073	-	-	1	-
		1008945	1	1	1	1	F	Angle, Vertical	1011074	-	-	-	1
5	Tube, Sensor (36" Length)	1006298	1	1	1	1	G	Base, Rear	1008807	2	2	2	2
6	Limit Switch, Rollout	1005548	1	-	1	-			1010234	1	-	-	-
		1010575	-	1	1	1			1010235	-	1	-	-
7	Tap, Pressure	1005606	1	1	1	1			1010348	-	-	1	-
8	Valve Gas Nat HW & LP	1011024	1	1	1	1	H	Baffle Air	1010350	-	-	-	1
9	Manifold Gas	1008737	1	-	-	-			1009880	2	-	-	-
		1008738	-	1	-	-	J	Base, Front	707010031	-	2	2	2
		1008739	-	-	1	-			1010090	1	1	-	-
		1008740	-	-	-	1			1010236	-	-	1	-
10	Orifice Burner Nat #42 Brass LP #54 Silver Hi Alt Orifice Nat #44 Brass Nat #45 Brass LP #55 Silver LP #56 Silver	1004143	2	3	4	5	K	Partition Top Front	1010237	-	-	-	1
		*1004142	*2	*3	*4	*5			1009493	1	-	-	-
		1065253	2	3	4	5			1009494	-	1	-	-
		1065121	2	3	4	5			1009495	-	-	1	-
		*1065255	*2	*3	*4	*5	L	Partition Bot Front	1009496	-	-	-	1
		*1065167	*2	*3	*4	*5			1009497	1	-	-	-
11	Pilot Tubing, Aluminum	64930	1	1	1	1			1009498	-	1	-	-
12	Pilot Assembly Nat & LP	1149856	1	1	1	1			1009499	-	-	1	-
13	Orifice, Pilot .020 Nat Orifice, Pilot .011 LP	1160403	1	1	1	1	M	Gasket, Bunner Box	1009500	-	-	-	1
		*1009136	*1	*1	*1	*1			1008759	1	1	-	-
14	Igniter/Sensor with Clip	1009524	1	1	1	1			1008760	-	-	1	-
15	Burner, Assy	1008723	1	-	-	-	N	Coupling, Air Intake	1008761	-	-	-	1
		1008724	-	1	-	-	O	Gasket, Air Intake	1008744	1	1	1	1
		1008725	-	-	1	-	P	Gasket, Rollout	1008746	1	1	1	1
		1008726	-	-	-	1	Q	Burner Box Assy	1008778	1	1	1	1
16	Limit Control	1320547	-	1	-	-			1010381	1	1	-	-
		1320549	1	-	1	-			1010382	-	-	1	-
		1009774	-	-	-	1	R	Baffle Burner Box	1010383	-	-	-	1
17	Capacitor, 4/250	1149252	1	1	1	1			1008709	1	1	-	-
18	Blower Exhaust	1010527	1	1	1	1			1008710	-	-	1	-
19	Restrictor Exh Blwr	1008696	1	1	-	-	S	Diaphragm, Silicone Rubber	1008711	-	-	-	1
		1009386	-	-	1	-	T	Cover Diaphragm	1008763	1	1	1	1
		1008699	-	-	-	1	U	Grommet, Manifold	1068036	1	1	1	1
20	O Ring, Exhaust Blower	1009035	1	1	1	1	V	Grommet, Manifold	1008741	1	1	1	1
21	Drain Trap/Transition	1010537	1	1	1	1	W	Bracket, Burner Box	1008722	2	2	2	2
22	O Ring, Header Box	1009036	1	1	1	1	X	Viewport Cover Lexan	2480678	1	1	1	1
23	Transformer, 40VA	1011103	1	1	1	1	Y	Gasket, Sight Glass	1093666	1	1	1	1
24	Capacitor, 10/370 5/370 7.5/370	1094956	-	-	1	1			1008748	1	1	-	-
		1094954	1	-	-	-			1008749	-	-	1	-
		1094239	-	1	-	-			1008750	-	-	-	1
25	Control Module/Fan Timer	1009838	1	1	1	1	Z	Seal, Cover Sides	1008755	2	2	2	2
26	Motor, 4 Speed	1009054	1	-	-	-	AA	Strip, Seal Burner Box	1008762	2	2	-	-
		1009053	-	1	-	-			1009243	-	-	2	-
		1009052	-	-	1	-			1009244	-	-	-	2
		1008619	-	-	-	1	BB	Bracket Pilot	1010901	1	1	1	1
27	Kit, Motor Mount	609227	1	1	1	1	CC	Board, Insulating	1009552	1	1	-	-
		522020024	-	-	-	1			1009553	-	-	1	-
		600587	1	1	-	-			1009554	-	-	-	1
28	Wheel, Blower	601210	-	-	1	-	DD	Box, Collector	1008673	1	1	-	-
		1009147	-	-	-	1			1008674	-	-	1	-
		1010886	1	1	1	1			1008675	-	-	-	1
29	Switch-Interlock	1010886	1	1	1	1	EE	Gasket, Collector Box	1009536	1	1	-	-
30	Filter W/Frame 16"x19"x1"	1009750	2	2	2	2			1009537	-	-	1	-
									1009538	-	-	-	1

* Only used when furnace has been converted to LPgas

Replacement Parts - NCGM/GCK

Models - NCGM050EFA3, NCGM075EGA3, NCGM100EHA3, NCGM125EKA3 (Natural Gas)
 CGK050N12C3, GCK075N12C3, CGK100N16C3, GCK125N20C3 (Natural Gas)

Replacement part supplied will be current active part. For parts not listed, consult place of purchase.

Key No.	Description Functional	Part Number	050	075	100	125
)(PART NOT ILLUSTRATED					
)(Wire Harness	1011086	1	1	1	1
)(Clamp Hose	1002793	4	4	4	4
)(Coupling, Discharge	1002522	2	2	2	2
)(Reducer, 3" to 2"	1005779	1	1	1	1
)(Elbow Union	2971503	1	1	1	1
)(Manual Install	441 01 1303 01	1	1	1	1
)(Manual Tech	441 03 1304 01	1	1	1	1
)(Manual Homeowners	441 02 1301 00	1	1	1	1
)(Flue Pipe, ABS 2" x 22"	1009566	1	1	1	1
)(Screen 3"	1007340	1	1	1	1
)(Screen 2"	1007339	1	1	1	1
)(Washer Exhaust Blower	1009037	2	2	2	2
)(Clip, Plastic Pin	2344276	3	3	3	3

Horizontal Condensate Switch Kit All Models	
NAHL001HK	
Gas Conversion Kits All Models	
Nat to LP	NAHF002LP *1009509
LP to Nat	NAHF002NG *1009510
*Order from Service Parts	

Key No.	Description Non-Functional	Part Number	050	075	100	125
FF	Door Louvered (NCGM ONLY)	1010187	1	1	-	-
		(NCGM ONLY) 1010188	-	-	1	-
		(NCGM ONLY) 1010189	-	-	-	1
		(GCK ONLY) 1010171	1	1	-	-
		(GCK ONLY) 1010172	-	-	1	-
		(GCK ONLY) 1010173	-	-	-	1
GG	Door, Fan	(NCGM ONLY) 1010196	1	1	-	-
		(NCGM ONLY) 1010197	-	-	1	-
		(NCGM ONLY) 1010198	-	-	-	1
		(GCK ONLY) 1010255	1	1	-	-
		(GCK ONLY) 1010256	-	-	1	-
		(GCK ONLY) 1010257	-	-	-	1
HH	Bracket, Mount LH	1008693	1	1	1	1
JJ	Gasket, Header Box	1010510	1	1	1	1
KK	Bracket, Mount RH	1008694	1	1	1	1
LL	Clamp, Capacitor	1095020	1	1	1	1
MM	Bracket, Control Board	1011178	1	1	1	1
NN	Blower Housing	1007787	1	1	-	-
		1007753	-	-	1	-
		1007769	-	-	-	1
OO	Blower Cutoff	721020013	1	1	-	-
		721020008	-	-	1	1
PP	Hanger, Blower	33403100	2	2	2	2
QQ	Shield, Vent Pipe	2311159	1	1	1	1
RR	Endplate, Vent Pipe	57083	4	4	4	4
TT	Cover, Field Connect	1010360	1	1	1	1
UU	Box, Field Connect	1010359	1	1	1	1
VV	Shield, Limit	1008797	-	-	1	-
WW	Door Handle	1010073	1	1	1	1
XX	Vent, Chase	1010540	1	1	1	1
YY	Casing	1010570	1	1	-	-
		1010571	-	-	1	-
		1010572	-	-	-	1
ZZ	Gasket, Heat Exchanger	2480904	2	-	-	-
		2480905	-	2	-	-
		2480906	-	-	2	-
		2480907	-	-	-	2