

NTGS GAS FURNACE



48" UPFLOW/HORIZONTAL LEFT HIGH EFFICIENCY NATURAL GAS FURNACE



Representative photo only, some models may vary in appearance.

**MANUFACTURED FOR NATURAL GAS
CONVERTIBLE TO (LP) PROPANE GAS**

NOTE: These furnaces are not designed for installation in a corrosive atmosphere, containing Chlorine, Fluorine, or any other damaging chemicals.

WARNING

This furnace is not designed for use inside mobile homes, trailers, or recreational vehicles. Such use could result in property damage, bodily injury, and/or death.

OPERATION

- 91% AFUE efficiency range.
- Single stage heating operation.
- Hot surface pilot ignition device.
- Induced combustion blower.
- Adjustable electronic fan control with optional low speed continuous fan feature provides maximum comfort.

HEAT EXCHANGER

- RPJ II Aluminized steel heat exchanger.
- Stainless steel secondary heat exchanger.
- 20 year limited warranty on heat exchangers.

VENTING

- Indoor combustion air (1 pipe only).
- Vent pipe can be run horizontally or vertically.
- Category IV venting. Can be vented with standard Schedule 40 PVC, CPVC, Cellular core PVC, ABS or SDR-26 pipe.

BURNER ASSEMBLY

- In-shot burners.

BLOWER ASSEMBLY

- Multispeed, prelubricated PSC motors. Dynamically balanced.
- Insulated blower compartment.
- Entire blower assembly mounted on rails for easy service.
- Timed On-Off blower.

CABINET

- 48" architectural stone prepainted cabinet.

SAFETY

- High temperature limit control prevents overheating.
- Flame roll-out sensors standard.
- Auxilliary limit controls.

INSTALLATION

- May be installed as upflow or horizontal left.
- Factory shipped as natural gas.
- Field convertible to LP Gas with available conversion kits.



Design Certified
by A.G.A.



FURNACE SPECIFICATIONS

Model Number	NTGS050FFA	NTGS075GFA	NTGS100HJA	NTGS125KNA
INPUT (btuh)	50,000	75,000	100,000	125,000
HTG. CAP. (btuh)	45,500	67,500	90,000	113,125
AFUE % (ICS)	91.0	91.0	91.0	91.0
ALTERNATE INPUT BTUH	40,000	60,000	80,000	100,000
ALTERNATE OUTPUT BTUH	36,400	54,000	72,000	90,500
CSE %	84.9	85.1	85.5	85.2
NOx (Ng/J)	<40	<40	<40	<40
TEMP. RISE RANGE (°F)	40-70	40-70	40-70	45-75
VENT SIZE (PLASTIC) *	2" OD	2" - 3" OD	2" - 3" OD	3" OD
VOLTS/PH/Hz	115/60/1	115/60/1	115/60/1	115/60/1
MIN./MAX. VOLTAGE	97/132	97/132	97/132	97/132
F.L.A.	5.3	7.5	9.2	12.0
TRANSFORMER (V.A.)	40	40	40	40
GAS PIPE SIZE (IN.)	1/2	1/2	1/2	1/2
COOLING CAP. (TONS)	3.0	3.5	4.0	5
FILTER SIZE (IN.)	16X25X1(1)	16X25X1(1)	16X25X1(1)	16X25X1(2)
FILTER SIZE (mm)	406X635X25(1)	406X635X25(1)	406X635X25(1)	406X635X25(2)
SHIPPING WT. (LBS.)	165	180	201	242

* Vent size may vary depending on length, number of elbows. See Installation Instructions.

BLOWER PERFORMANCE

Model Number	NTGS050FFA	NTGS075GFA	NTGS100HJA	NTGS125KNA
BLOWER TYPE AND SIZE	DD10-8	DD10-8	DD10-10	DD11-10
MOTOR H.P. (TYPE)	1/3 PSC	1/2 PSC	1/2 PSC	3/4 PSC
MOTOR SPEEDS	4	4	4	4

AIRFLOW DATA

.10 ESP IN.	LOW	718	778	954	1463
	MEDIUM LOW	840	984	1312	1650
	MEDIUM HIGH	1109	1263	1698	1879
	HIGH	1473	1576	1925	2214
.20 ESP IN.	LOW	719	786	950	1429
	MEDIUM LOW	838	1003	1292	1635
	MEDIUM HIGH	1094	1249	1645	1859
.30 ESP IN.	HIGH	1431	1532	1853	2154
	LOW	714	790	946	1417
	MEDIUM LOW	837	1003	1265	1614
.40 ESP IN.	MEDIUM HIGH	1086	1244	1596	1838
	HIGH	1396	1489	1780	2152
	LOW	692	788	915	1389
.50 ESP IN.	MEDIUM LOW	819	1001	1231	1579
	MEDIUM HIGH	1063	1215	1530	1806
	HIGH	1349	1432	1708	2106
.60 ESP IN.	LOW	660	781	878	1364
	MEDIUM LOW	791	982	1175	1556
	MEDIUM HIGH	1027	1186	1455	1773
.70 ESP IN.	HIGH	1291	1371	1638	2049
	LOW	615	765	830	1339
	MEDIUM LOW	752	962	1118	1513
.80 ESP IN.	MEDIUM HIGH	986	1146	1362	1725
	HIGH	1222	1308	1546	1981
	LOW	563	743	778	1299
.90 ESP IN.	MEDIUM LOW	683	923	1020	1470
	MEDIUM HIGH	934	1094	1241	1668
	HIGH	1141	1229	1435	1903

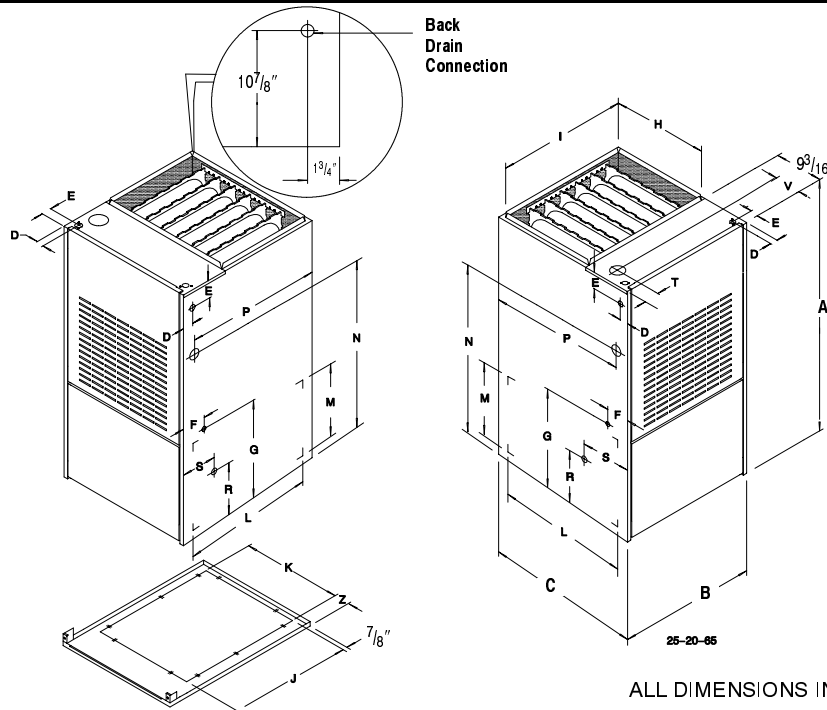
NOTE: Air flow data is without filters. Allow 600 fpm velocity air flow for each filter. See Installation Instructions.

- Application of NTGS100FHA & NTGS125FKA above 1650 CFM requires two side returns or bottom return or use accessory stand-off filter kit for single side return.

MODEL NUMBER IDENTIFICATION GUIDE

Model No	N	T	G	S	075	G	F	A
PRODUCT FAMILY								
PRODUCT GROUP								
U = Upflow	D = Downflow							
T = Upflow / Horizontal	L = Lowboy							
H = Horizontal	F = Floor Furnace							
C = Downflow / Horizontal	M = Multiposition							
FUEL								
G = Natural Gas	L = L.P. Gas							
N = Natural Gas California NOX	P = 2-Stage Gas NOX approved							
H = High Altitude Natural Gas	O = Oil							
SERIES								
S = Single Pipe								
								MARKETING REV.
								FURNACE WIDTH
								B = 15 ¹ / ₂ J = 22 ³ / ₄
								F = 19 ¹ / ₈ N = 26 ³ / ₈
								NOMINAL Air Flow (CFM)
								A = Heat Only G = 3.5
								B = 1 H = 4
								C = 2 J = 4.5
								D = 2 K = 5
								E = 2.5 L = 5.5 - 7.0
								F = 3 M = 7.5 - 10.0
								NOMINAL INPUT MBTUH

DIMENSIONS



ALL DIMENSIONS IN INCHES (MM)

Unit Capacity	CABINET			ELECTRICAL CONNECTIONS						SUPPLY AIR		RETURN AIR			
				TOP		LEFT SIDE		LOW VOLT				BOTTOM		SIDE	
	A	B	C	D	E	D	E	F	G	H	I	J	K	L	M
50,000	48	19 ¹ / ₈	28 ¹ / ₂	1 ¹ / ₂	1 ¹ / ₂	1 ⁵ / ₈	1 ¹ / ₂	4 ¹ / ₂	17 ⁵ / ₁₆	18 ¹ / ₂	17 ⁵ / ₈	23 ¹ / ₈	14 ³ / ₄	22 ¹ / ₂	14 ¹ / ₂
75,000	48	19 ¹ / ₈	28 ¹ / ₂	1 ¹ / ₂	1 ¹ / ₂	1 ⁵ / ₈	1 ¹ / ₂	4 ¹ / ₂	17 ⁵ / ₁₆	18 ¹ / ₂	17 ⁵ / ₈	23 ¹ / ₈	14 ³ / ₄	22 ¹ / ₂	14 ¹ / ₂
100,000	48	22 ³ / ₄	28 ¹ / ₂	1 ¹ / ₂	1 ¹ / ₂	1 ⁵ / ₈	1 ¹ / ₂	4 ¹ / ₂	17 ⁵ / ₁₆	18 ¹ / ₂	21 ¹ / ₄	23 ¹ / ₈	18 ³ / ₄	22 ¹ / ₂	14 ¹ / ₂
125,000	48	26 ³ / ₈	28 ¹ / ₂	1 ¹ / ₂	1 ¹ / ₂	1 ⁵ / ₈	1 ¹ / ₂	4 ¹ / ₂	17 ⁵ / ₁₆	18 ¹ / ₂	24 ⁷ / ₈	23 ¹ / ₈	23 ¹ / ₂	22 ¹ / ₂	14 ¹ / ₂

Unit Capacity	GAS CONNECTIONS				DRAIN CONNECTIONS			VENT		
	RIGHT SIDE		LEFT SIDE		R	RIGHT SIDE	LEFT SIDE	T	V	Z
	N	P	N	P		S	S			
50,000	32 ¹ / ₂	23 ¹ / ₈	32 ¹ / ₂	26 ¹ / ₁₆	10 ⁷ / ₈	2 ³ / ₄	6 ¹ / ₂	2 ¹¹ / ₁₆	4 ¹³ / ₁₆	2 ¹ / ₈
75,000	32 ¹ / ₂	23 ¹ / ₈	32 ¹ / ₂	26 ¹ / ₁₆	10 ⁷ / ₈	2 ³ / ₄	6 ¹ / ₂	2 ¹¹ / ₁₆	4 ¹³ / ₁₆	2 ¹ / ₈
100,000	32 ¹ / ₂	23 ¹ / ₈	32 ¹ / ₂	26 ¹ / ₁₆	10 ⁷ / ₈	2 ³ / ₄	6 ¹ / ₂	2 ¹¹ / ₁₆	4 ¹³ / ₁₆	1 ⁷ / ₈
125,000	32 ¹ / ₂	23 ¹ / ₈	32 ¹ / ₂	26 ¹ / ₁₆	10 ⁷ / ₈	2 ³ / ₄	6 ¹ / ₂	2 ¹¹ / ₁₆	4 ¹³ / ₁₆	1 ⁷ / ₁₆

CONVERSION FROM INCHES TO METRIC (mm)	48" = (1219)	26 ³ / ₈ " = (670)	2 ¹ / ₂ " = (64)	17 ⁵ / ₈ " = (448)	23 ¹ / ₈ " = (587)	14 ³ / ₄ " = (375)	1 ⁷ / ₈ " = (48)
	32 ¹ / ₂ " = (825)	28 ¹ / ₂ " = (724)	10 ⁷ / ₈ " = (276)	17 ⁵ / ₁₆ " = (440)	21 ¹ / ₄ " = (540)	18 ³ / ₄ " = (476)	2 ¹ / ₈ " = (54)
	19 ¹ / ₈ " = (486)	1 ¹ / ₂ " = (38)	4 ¹ / ₂ " = (114)	6 ¹ / ₂ " = (165)	24 ⁷ / ₈ " = (632)	23 ¹ / ₈ " = (597)	14 ¹ / ₂ " = (368)
	22 ³ / ₄ " = (578)	26 ¹ / ₁₆ " = (662)	2 ³ / ₄ " = (70)	17 ⁵ / ₈ " = (448)	2 ¹¹ / ₁₆ " = (68)	22 ¹ / ₂ " = (572)	1 ⁷ / ₁₆ " = (37)
	23 ⁷ / ₈ " = (606)	1 ⁵ / ₈ " = (41)	18 ¹ / ₂ " = (470)	6 ¹ / ₂ " = (165)	4 ¹³ / ₁₆ " = (122)		

SPECIFICATIONS SUBJECT TO CHANGE WITHOUT NOTICE

ACCESSORIES

Description	Fast Parts No.	Model Number	Used With
Natural to LP Conversion Kit	* 1009509	NAHF002LP	ALL MODELS
LP to Natural Conversion Kit	* 1009510	NAHF002NG	ALL MODELS
Twinning Kit	--	NAHA003WK	ALL MODELS
Alt. Input Kit Nat. Gas	* 1009910	NAHK001LF	ALL MODELS
Alt. Input Kit LP Gas	* 1009911	NAHK002LF	ALL MODELS
LP Low Pressure Switch Detects low line pressure. Opens at 6.5" W.C. (included in L.P. Kits)	* 1009522	NAHA001PS	ALL LP FURNACES
Horizontal Pressure Switch	* 1010672	NAHL001HK	ALL HORIZONTAL APPLICATIONS
Standoff Filter Kit 20" x 25"	--	NAHA001TK	ALL MODELS
External Filter Frame 16" x 25"	--	NAHA001FF	NTGS
Bottom Return Filter Kit 20" x 25"	--	NAHA002FF	NTGS100HJA
Bottom Return Duct Filter and Filter Frame 25" x 25"	--	NAHA004FF	NTGS100HJA

* Must be ordered from Fast Parts

NAHL001HK Typical Horizontal Condensate Pressure Switch Kit Installation

