

EFFICIENT 13 SEER HEAT PUMP

1½ THRU 5 TONS SPLIT SYSTEM

208 / 230 Volt, 1-phase, 60 Hz

REFRIGERATION CIRCUIT

- Copeland Scroll™ compressors on all models
- Suction line accumulator factory installed
- Integrated solid state control with Time-Temperature Defrost
- Low pressure switch
- Copper tube / aluminum fin coil

EASY TO INSTALL AND SERVICE

- Easy Access service valves on all models
- External high and low refrigerant service ports
- Only two screws to access control panel
- Factory charged with R-22 refrigerant

BUILT TO LAST

- Pre-painted cabinet finish over galvanized steel
- Coated inlet grille with 2" spacing standard, alternate models available with ¾" grille spacing for extra protection

WARRANTY

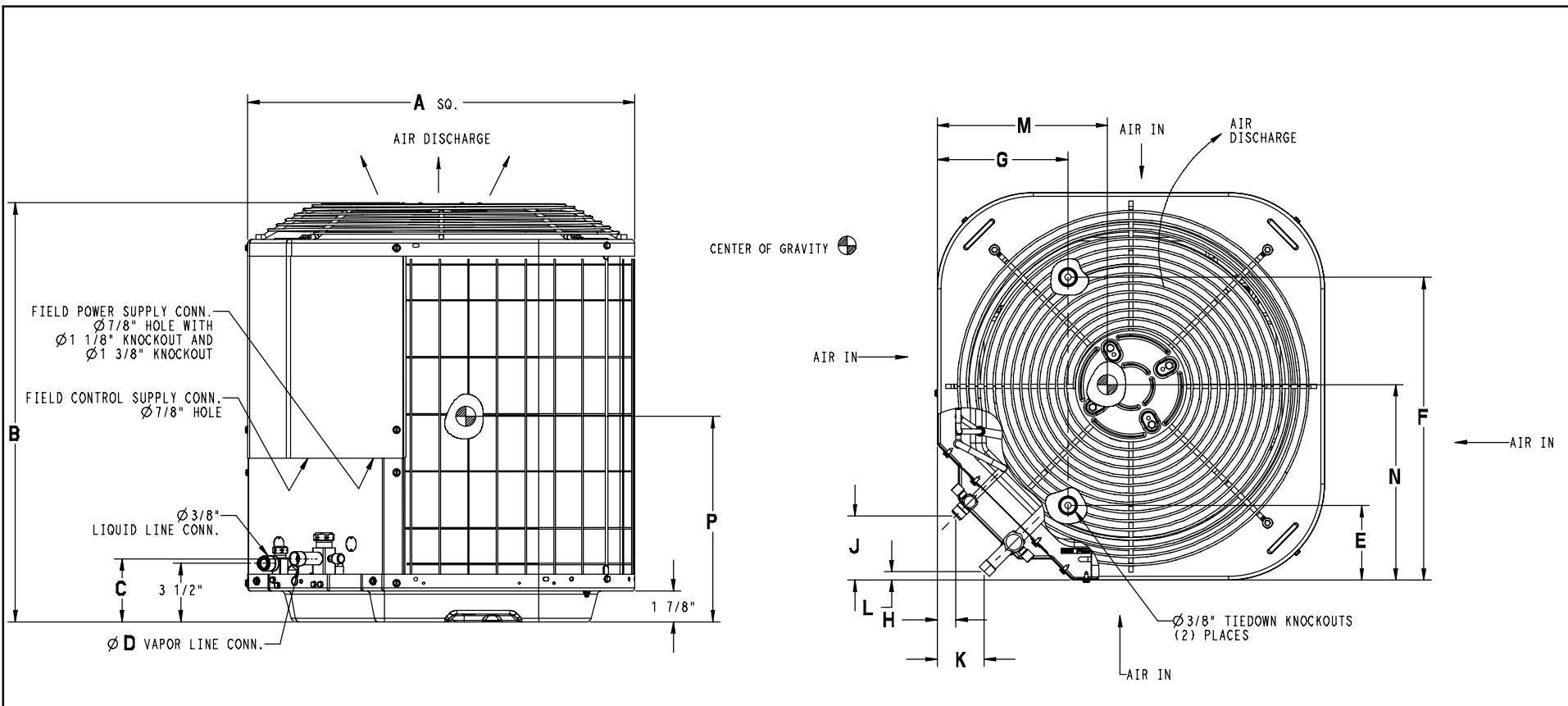
- 5 year parts limited warranty (including compressor and coil)



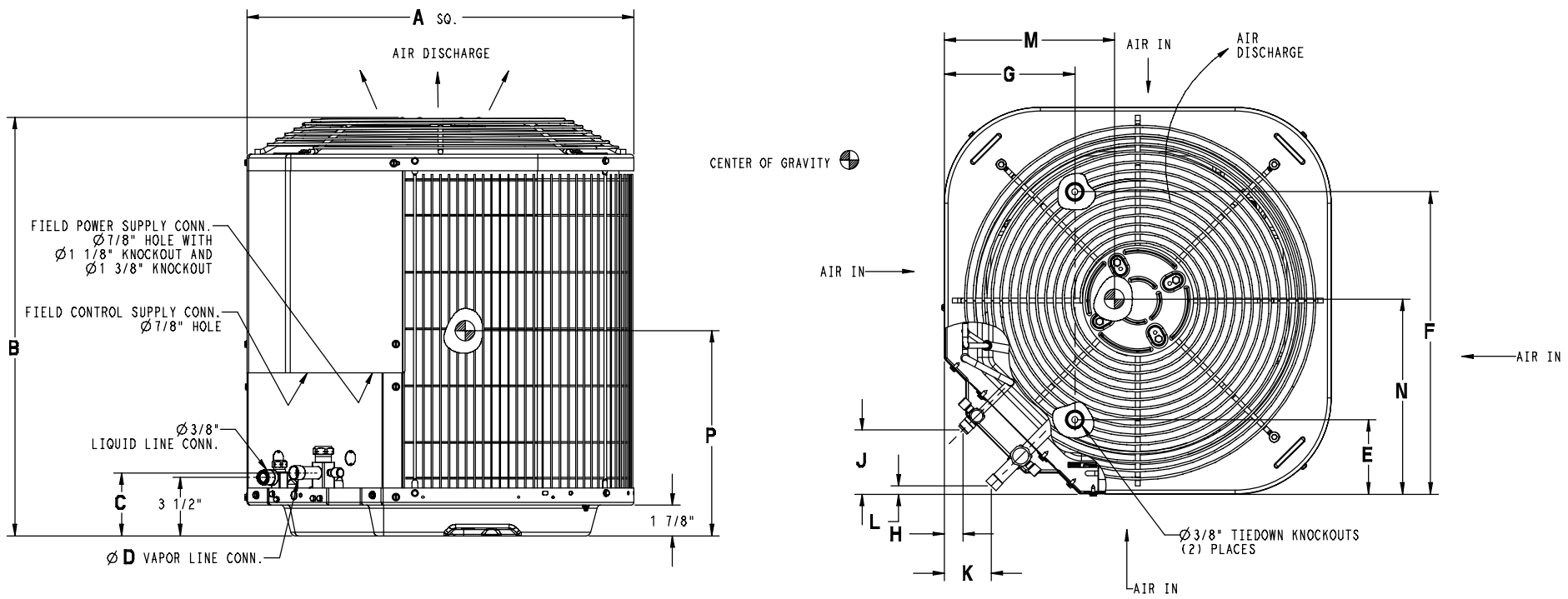
Use of the AHRI Certified TM Mark indicates a manufacturer's participation in the program. For verification of certification for individual products, go to www.ahridirectory.org.

Rated in accordance with ARI Standard 210/240. Certification applies only when used with proper components as listed with ARI.

Model Number	Size (tons)	Nominal BTU/hr	Min. Circuit Ampacity	Max. Fuse or Breaker	Operating Dimensions height x width x depth (in)	Shipping/Operating Weight (lbs)
R2H318AKC	1½	18,000	11.7	20	28 ⁷ / ₁₆ x 23 ¹ / ₈ x 23 ³ / ₈	127 / 114
18GKC	same model with ¾" spacing inlet grille					134 / 119
R2H324AKC	2	24,000	14.4	20	35 ³ / ₁₆ x 23 ¹ / ₈ x 23 ³ / ₈	137 / 120
24GKC	same model with ¾" spacing inlet grille					143 / 126
R2H330AKC	2½	30,000	17.6	30	28 ⁷ / ₁₆ x 31 ³ / ₁₆ x 31 ³ / ₁₆	177 / 153
30GKC	same model with ¾" spacing inlet grille					183 / 161
R2H336AKC	3	36,000	21.1	30	31 ¹³ / ₁₆ x 31 ³ / ₁₆ x 31 ³ / ₁₆	192 / 168
36GKC	same model with ¾" spacing inlet grille					198 / 177
R2H342AKC	3½	42,000	23.8	40	38 ⁵ / ₈ x 31 ³ / ₁₆ x 31 ³ / ₁₆	213 / 188
42GKC	same model with ¾" spacing inlet grille					223 / 198
R2H348AKC	4	48,000	27.3	40	28 ⁷ / ₁₆ x 31 ³ / ₁₆ x 31 ³ / ₁₆	223 / 200
48GKC	same model with ¾" spacing inlet grille					230 / 207
R2H360AKC	5	60,000	32.7	50	42 x 31 ³ / ₁₆ x 31 ³ / ₁₆	285 / 260
60GKC	same model with ¾" spacing inlet grille					298 / 273



Model	All Dimensions Inches														Minimum Mounting Pad Size	Crated Dimensions B(h) x A(w) x A(d)
	A	B	C	D	E	F	G	H	J	K	L	M	N	P		
R2H318AKC	23 ¹ / ₈	28 ⁷ / ₁₆	3 ³ / ₄	3 ⁴ / ₄	4 ⁷ / ₁₆	18 ¹ / ₁₆	7 ¹³ / ₁₆	1 ¹ / ₈	3 ¹³ / ₁₆	2 ¹³ / ₁₆	1 ¹ / ₂	11 ¹ / ₂	10 ¹ / ₂	12 ¹ / ₂	23 ¹ / ₂ x 23 ¹ / ₂	30 ⁵ / ₈ x 24 ¹ / ₈ x 24 ¹ / ₈
R2H324AKC	23 ¹ / ₈	35 ³ / ₁₆	3 ³ / ₄	3 ⁴ / ₄	4 ⁷ / ₁₆	18 ¹ / ₁₆	7 ¹³ / ₁₆	1 ¹ / ₈	3 ¹³ / ₁₆	2 ¹³ / ₁₆	1 ¹ / ₂	11 ¹ / ₂	10 ¹ / ₂	14 ¹ / ₂	23 ¹ / ₂ x 23 ¹ / ₂	37 ⁷ / ₁₆ x 24 ¹ / ₈ x 24 ¹ / ₈
R2H330AKC	31 ³ / ₁₆	28 ⁷ / ₁₆	3 ³ / ₄	3 ⁴ / ₄	6 ⁹ / ₁₆	24 ¹ / ₁₆	9 ¹ / ₈	1 ¹ / ₈	3 ¹³ / ₁₆	2 ¹³ / ₁₆	1 ¹ / ₂	15	15	12	31 ¹ / ₂ x 31 ¹ / ₂	30 ⁵ / ₈ x 32 ³ / ₁₆ x 32 ³ / ₁₆
R2H336AKC	31 ³ / ₁₆	31 ¹³ / ₁₆	3 ⁷ / ₈	7 ⁷ / ₈	6 ⁹ / ₁₆	24 ¹ / ₁₆	9 ¹ / ₈	1 ¹ / ₈	3 ¹³ / ₁₆	2 ¹⁵ / ₁₆	5 ⁵ / ₈	15	15	11 ¹ / ₂	31 ¹ / ₂ x 31 ¹ / ₂	34 x 32 ³ / ₁₆ x 32 ³ / ₁₆
R2H342AKC	31 ³ / ₁₆	38 ⁵ / ₈	3 ⁷ / ₈	7 ⁷ / ₈	6 ⁹ / ₁₆	24 ¹ / ₁₆	9 ¹ / ₈	1 ¹ / ₈	3 ¹³ / ₁₆	2 ¹⁵ / ₁₆	5 ⁵ / ₈	15	15	15 ¹ / ₂	31 ¹ / ₂ x 31 ¹ / ₂	40 ¹³ / ₁₆ x 32 ³ / ₁₆ x 32 ³ / ₁₆
R2H348AKC	31 ³ / ₁₆	28 ⁷ / ₁₆	3 ⁷ / ₈	7 ⁷ / ₈	6 ⁹ / ₁₆	24 ¹ / ₁₆	9 ¹ / ₈	1 ¹ / ₈	3 ¹³ / ₁₆	2 ¹⁵ / ₁₆	5 ⁵ / ₈	15	15	12	31 ¹ / ₂ x 31 ¹ / ₂	30 ⁵ / ₈ x 32 ³ / ₁₆ x 32 ³ / ₁₆
R2H360AKC	31 ³ / ₁₆	42	3 ⁷ / ₈	7 ⁷ / ₈	6 ⁹ / ₁₆	24 ¹ / ₁₆	9 ¹ / ₈	1 ¹ / ₈	3 ¹³ / ₁₆	2 ¹⁵ / ₁₆	5 ⁵ / ₈	15	15	16	31 ¹ / ₂ x 31 ¹ / ₂	44 ¹ / ₄ x 32 ³ / ₁₆ x 32 ³ / ₁₆



Model	All Dimensions Inches														Minimum Mounting Pad Size	Crated Dimensions B(h) x A(w) x A(d)
	A	B	C	D	E	F	G	H	J	K	L	M	N	P		
R2H318GKC	23 ¹ / ₈	28 ⁷ / ₁₆	3 ³ / ₄	3 ³ / ₄	4 ⁷ / ₁₆	18 ¹ / ₁₆	7 ¹³ / ₁₆	1 ¹ / ₈	3 ¹³ / ₁₆	2 ¹³ / ₁₆	1 ¹ / ₂	11 ¹ / ₂	10 ¹ / ₂	12 ¹ / ₂	23 ¹ / ₂ x 23 ¹ / ₂	30 ⁵ / ₈ x 24 ¹ / ₈ x 24 ¹ / ₈
R2H324GKC	23 ¹ / ₈	35 ³ / ₁₆	3 ³ / ₄	3 ³ / ₄	4 ⁷ / ₁₆	18 ¹ / ₁₆	7 ¹³ / ₁₆	1 ¹ / ₈	3 ¹³ / ₁₆	2 ¹³ / ₁₆	1 ¹ / ₂	11 ¹ / ₂	10 ¹ / ₂	14 ¹ / ₂	23 ¹ / ₂ x 23 ¹ / ₂	37 ⁷ / ₁₆ x 24 ¹ / ₈ x 24 ¹ / ₈
R2H330GKC	31 ³ / ₁₆	28 ⁷ / ₁₆	3 ³ / ₄	3 ³ / ₄	6 ⁹ / ₁₆	24 ¹¹ / ₁₆	9 ¹ / ₈	1 ¹ / ₈	3 ¹³ / ₁₆	2 ¹³ / ₁₆	1 ¹ / ₂	15	15	12	31 ¹ / ₂ x 31 ¹ / ₂	30 ⁵ / ₈ x 32 ³ / ₁₆ x 32 ³ / ₁₆
R2H336GKC	31 ³ / ₁₆	31 ¹³ / ₁₆	3 ⁷ / ₈	7 ⁸ / ₁₆	6 ⁹ / ₁₆	24 ¹¹ / ₁₆	9 ¹ / ₈	1 ¹ / ₈	3 ¹³ / ₁₆	2 ¹⁵ / ₁₆	5 ⁸ / ₁₆	15	15	11 ¹ / ₂	31 ¹ / ₂ x 31 ¹ / ₂	34 x 32 ³ / ₁₆ x 32 ³ / ₁₆
R2H342GKC	31 ³ / ₁₆	38 ⁵ / ₈	3 ⁷ / ₈	7 ⁸ / ₁₆	6 ⁹ / ₁₆	24 ¹¹ / ₁₆	9 ¹ / ₈	1 ¹ / ₈	3 ¹³ / ₁₆	2 ¹⁵ / ₁₆	5 ⁸ / ₁₆	15	15	15 ¹ / ₂	31 ¹ / ₂ x 31 ¹ / ₂	40 ¹³ / ₁₆ x 32 ³ / ₁₆ x 32 ³ / ₁₆
R2H348GKC	31 ³ / ₁₆	28 ⁷ / ₁₆	3 ⁷ / ₈	7 ⁸ / ₁₆	6 ⁹ / ₁₆	24 ¹¹ / ₁₆	9 ¹ / ₈	1 ¹ / ₈	3 ¹³ / ₁₆	2 ¹⁵ / ₁₆	5 ⁸ / ₁₆	15	15	12	31 ¹ / ₂ x 31 ¹ / ₂	30 ⁵ / ₈ x 32 ³ / ₁₆ x 32 ³ / ₁₆
R2H360GKC	31 ³ / ₁₆	42	3 ⁷ / ₈	7 ⁸ / ₁₆	6 ⁹ / ₁₆	24 ¹¹ / ₁₆	9 ¹ / ₈	1 ¹ / ₈	3 ¹³ / ₁₆	2 ¹⁵ / ₁₆	5 ⁸ / ₁₆	15	15	16	31 ¹ / ₂ x 31 ¹ / ₂	44 ¹ / ₄ x 32 ³ / ₁₆ x 32 ³ / ₁₆

PHYSICAL DATA							
Model Size	18	24	30	36	42	48	60
Nominal Cooling Capacity (BTU/hr)	18,000	24,000	30,000	36,000	42,000	48,000	60,000
Nominal SEER	13.0	13.0	13.0	13.0	13.0	13.0	13.0
Sound Rating (dBA)**	76	76	76	77	80	80	80
PSC Fan Motor HP	1/12	1/10	1/10	1/5	1/4	1/4	1/4
Fan RPM (single speed)	1100	1100	1100	1100	1100	1100	1100
Fan CFM	1700	2000	2600	3100	3400	3400	3400
Coil Face Area (ft ²)	9.8	12.6	15.14	17.30	23.79	15.14	23.79
Coil Rows – fins per inch	1 – 25	1 – 20	1 – 20	1 – 25	1 – 25	2 – 20	2 – 20
Liquid Line Connection Size (in.)	3/8	3/8	3/8	3/8	3/8	3/8	3/8
Vapor Line Connection Size (in.)	3/4	3/4	3/4	7/8	7/8	7/8	7/8
Recommended Line Set Liquid Tube Diameter (in.)	3/8	3/8	3/8	3/8	3/8	3/8	3/8
Recommended Line Set Vapor Tube Diameter (in.)	3/4 *	3/4 *	3/4 *	7/8 *	7/8 *	7/8 *	1 1/8 *
* Recommended Vapor Tube Line size is for standard installations. These recommendations may not apply to “Long Line” installations. When the total equivalent line length exceeds 80 feet or there is more than 20 feet vertical separation between indoor and outdoor units, consult the Long Line Application Guideline document before purchasing/installing line sets.							
Factory Charge R-22 (lbs.)	5.35	4.68	5.29	6.50	7.50	9.13	13.03
Required Subcooling (° F)	21	13	12	14	14	16	16
Models AKC	Weight, shipping (lbs.)	127	137	177	192	213	285
	Weight, operating (lbs.)	114	120	153	168	188	260
Models GKC	Weight, shipping (lbs.)	134	143	183	198	223	298
	Weight, operating (lbs.)	119	126	161	177	198	273

ELECTRICAL DATA (208/230-1-60, voltage range 197V – 253V)							
Model Size	18	24	30	36	42	48	60
Minimum Circuit Ampacity – MCA (amps)	11.7	14.4	17.6	21.1	23.8	27.3	32.7
Maximum OverCurrent Protective device – MOCP (amps)	20	20	30	30	40	40	50
Compressor RLA (Rated Load Amps)	9.0	10.9	13.5	16.0	17.9	20.7	25.0
LRA (Locked Rotor Amps)	41.0	54.0	72.5	88.0	104.0	137.0	148.0
Fan Motor FLA (Full Load Amps)	0.5	.77	0.8	1.1	1.4	1.4	1.4

**Sound Rating tested in accordance with ARI Standard 270-95 (not listed with ARI).

R-22 COOLING CAPACITY LOSS FOR VARIOUS LINE LENGTHS & TUBE DIAMETERS															
Model Size	Liquid Line (in.)	Acceptable Vapor Line Sizes (in.)	Cooling Capacity Loss (%) at Total Equivalent Line Length (ft.) Refer to Long Line Application Guideline to calculate equivalent length												
			Standard Application			Long Line Application (Requires Accessories)									
			25'	50'	80'	81'	100'	125'	150'	175'	200'	225'	250'		
18	3/8	5/8	0	1	1	1	2	3	3	4	5	5	6		
		3/4	0	0	0	0	0	1	1	1	1	2	2		
24		5/8	0	1	3	3	3	5	6	7	8	9	10		
		3/4	0	0	0	0	1	1	1	2	2	3	3		
30		3/4	0	1	1	1	2	3	3	4	5	5	6		
		7/8	0	0	0	0	1	1	1	2	2	2	3		
36		3/4	0	1	2	2	3	4	5	6	7	8	9		
		7/8	0	0	1	1	1	2	2	3	3	4	4		
42		3/4	1	2	3	3	4	5	7	8	9	10	11		
		7/8	0	1	1	1	2	2	3	4	4	5	5		
48		3/4	1	2	4	4	5	7	8	10	11	13	14		
		7/8	0	1	2	2	2	3	4	5	5	6	7		
		1 1/8	0	0	0	0	0	0	1	1	1	1	1		
60		7/8	1	2	3	3	4	5	7	8	9	10	11		
	1 1/8	0	0	1	1	1	1	2	2	2	3	3			

* Applications are considered “Long Line” if the total equivalent tubing length exceeds 80 feet or there is more than 20 foot vertical separation between indoor and outdoor units). These applications require additional accessories and system modifications for reliable system operation.

Applications in shaded area may have height restrictions that limit allowable total equivalent length when outdoor unit is below indoor unit.

ACCESSORY USAGE GUIDELINES			
Accessory	REQUIRED FOR APPLICATIONS IN SNOW-BELT REGION	REQUIRED FOR LOW-AMBIENT APPLICATIONS (Below 55° F)	REQUIRED FOR LONG-LINE APPLICATIONS* (Over 80 Ft.)
Crankcase Heater	Standard (if required)	Yes	Yes
Evaporator Freeze Thermostat	No	Yes	No
Accumulator	Standard (factory installed)	Standard (factory installed)	Standard (factory installed)
Hard Start Kit (Capacitor & Relay)	No	Yes	Yes
Low Ambient Kit (Pressure Switch)	No	Yes	No
Support Feet, 4” tall	Yes	Recommended	No
Liquid Line Solenoid Valve	No	No	See Long-Line Application Guideline

* For Line Set lengths between 80 and 200 ft horizontal, or more than 20 ft indoor-outdoor vertical separation, refer to the Long Line Application Guideline document.

ACCESSORIES		
Part Number	Description	Used On Model Size
NASA001SC	Start Component – PTC Device	ALL
NASA001FS	Evaporator Freeze Thermostat	ALL
NASA001LS	Liquid Line Solenoid Valve	ALL
NASA001TD	Time Delay Relay, Indoor Blower	ALL
NASA001AC	Anti-Cycle Timer (5 minute delay)	ALL
NASA201LA	Low Ambient Kit (Pressure Switch)	ALL
AMF002OTA	Outdoor Thermometer Kit	ALL
NASA003CH	Crankcase Heater for Compressor	18, 24
NASA001CH	Crankcase Heater for Compressor	30, 36, 60, 42, 48
NASA202PS	High Pressure Switch*	18, 24, 30, 36, 60
AXWR01DFC	Fossil Fuel Kit	18, 24, 30, 36, 60
NASA003SC	Hard Start Kit (Capacitor & Relay)	18, 24, 30, 36, 42, 48
NASA004SC	Hard Start Kit (Capacitor & Relay)	60
NASA001SF	Support Feet, 4” tall	18, 24, 36, 60
NASA002SJ	Sound Jacket, Compressor	18, 24, 30
NASA001SJ	Sound Jacket, Compressor	36, 42
NASA003SJ	Sound Jacket, Compressor	48, 60
AMF153TKB	TXV Kit, R-22 (converts R-22 piston coils to R-22 TXV)	18, 24, 30, 36
AMF355TKB	TXV Kit, R-22 (converts R-22 piston coils to R-22 TXV)	42, 48, 60

*Dual Fuel applications require High Pressure Switch.

COOLING & HEATING PERFORMANCE FOR COMBINATION RATINGS
Indoor Models

Outdoor Model	Indoor Model (‡ tested combo)	Furnace Model	Factory Installed	Cool (95° F)			SEER	Heat (47° F)		Heat (17° F)		HSPF
				BTU/hr	S / T	EER	factory	BTU/hr	COP	BTU/hr	COP	
R2H318AKC R2H318GKC	‡FEM2X18****		TDR&TXV	17,600	0.76	11.00	13.00	16,400	3.68	9,700	2.38	7.7
R2H324AKC R2H324GKC	*FEM2X24****		TDR&TXV	23,000	0.76	11.00	13.00	22,400	3.56	13,600	2.38	7.7
	EB*2X24B**	*8MPV050	TDR&TXV	23,000	0.76	11.00	13.00	22,000	3.56	13,800	2.36	7.7
	EB*2X24B**	MV08B15**B*	TDR&TXV	23,000	0.76	11.00	13.50	22,000	3.60	13,300	2.42	7.7
	EB*2X24F**	*8MPV075	TDR&TXV	23,000	0.76	11.00	13.00	22,000	3.64	13,600	2.42	7.7
	EB*2X24F**	*9MPV050	TDR&TXV	23,000	0.76	11.00	13.00	22,000	3.56	13,600	2.36	7.7
	EB*2X24F**	*9MPV075	TDR&TXV	23,000	0.76	11.00	13.00	22,000	3.56	13,700	2.38	7.7
	EB*2X24F**	MV12F19**B*	TDR&TXV	23,000	0.76	11.00	13.00	22,000	3.62	13,300	2.42	7.7
	ED*2X24B**	*8MPV050	TDR&TXV	23,000	0.76	11.00	13.00	22,000	3.56	13,800	2.36	7.7
	ED*2X24B**	MV08B15**B*	TDR&TXV	23,000	0.76	11.00	13.50	22,000	3.60	13,300	2.42	7.7
	ED*2X24F**	*8MPV075	TDR&TXV	23,000	0.76	11.00	13.00	22,000	3.64	13,600	2.42	7.7
	ED*2X24F**	*9MPV050	TDR&TXV	23,000	0.76	11.00	13.00	22,000	3.56	13,600	2.36	7.7
	ED*2X24F**	*9MPV075	TDR&TXV	23,000	0.76	11.00	13.00	22,000	3.56	13,700	2.38	7.7
	ED*2X24F**	MV12F19**B*	TDR&TXV	23,000	0.76	11.00	13.50	22,000	3.62	13,300	2.42	7.7
	EHD2X24A**	*8MPV050	TDR&TXV	23,000	0.76	11.00	13.00	22,000	3.56	13,800	2.36	7.7
	EHD2X24A**	*8MPV075	TDR&TXV	23,000	0.76	11.00	13.00	22,000	3.62	13,700	2.40	7.7
	EHD2X24A**	*8MPV100	TDR&TXV	23,000	0.76	11.00	13.00	22,000	3.68	13,700	2.44	7.7
	EHD2X24A**	*8MPV125	TDR&TXV	23,000	0.76	11.00	13.00	22,000	3.68	13,700	2.44	7.7
	EHD2X24A**	*9MPV100	TDR&TXV	23,000	0.76	11.00	13.00	22,000	3.60	13,700	2.40	7.7
	EHD2X24A**	*9MPV125	TDR&TXV	23,000	0.76	11.00	13.00	22,000	3.64	13,700	2.42	7.7
	EHD2X24A**	MV08B15**B*	TDR&TXV	23,000	0.76	11.00	13.50	22,000	3.66	13,400	2.42	7.7
EHD2X24A**	MV12F19**B*	TDR&TXV	23,000	0.76	11.00	13.50	22,000	3.66	13,400	2.42	7.7	
FVM2X24****			TDR&TXV	23,000	0.76	11.00	13.50	22,000	3.62	13,400	2.42	7.7
R2H330AKC R2H330GKC	*FEM2X30****		TDR&TXV	29,000	0.76	11.00	13.00	27,400	3.48	17,500	2.40	7.7
	EB*2X30B**	MV08B15**B*	TDR&TXV	28,800	0.76	11.00	13.00	26,600	3.46	17,200	2.42	7.7
	EB*2X30F**	*8MPV075	TDR&TXV	28,800	0.76	11.00	13.00	26,600	3.44	17,500	2.40	7.7
	EB*2X30F**	MV12F19**B*	TDR&TXV	28,800	0.76	11.00	13.00	26,600	3.50	17,100	2.44	7.7
	EB*2X36B**	MV08B15**B*	TDR&TXV	28,800	0.76	11.00	13.00	26,600	3.48	17,200	2.42	7.7
	EB*2X36F**	MV12F19**B*	TDR&TXV	28,800	0.76	11.00	13.00	26,000	3.50	17,100	2.46	7.7
	EB*2X36F**	*8MPV075	TDR&TXV	28,800	0.76	11.00	13.00	26,600	3.44	17,500	2.42	7.7
	EB*2X36J**	*8MPV100	TDR&TXV	28,800	0.76	11.00	13.00	26,000	3.50	17,400	2.46	7.7
	EB*2X36J**	*8MPV125	TDR&TXV	28,800	0.76	11.00	13.00	26,000	3.50	17,400	2.46	7.7

- continued on next page -

COOLING & HEATING PERFORMANCE FOR COMBINATION RATINGS (continued)
Indoor Models

Outdoor Model	Indoor Model (‡ tested combo)	Furnace Model	Factory Installed	Cool (95° F)			SEER factory	Heat (47° F)		Heat (17° F)		HSPF
				BTU/hr	S / T	EER		BTU/hr	COP	BTU/hr	COP	
R2H330AKC R2H330GKC (continued)	EB*2X36J**	*9MPV100	TDR&TXV	28,800	0.76	11.00	13.00	26,000	3.46	17,500	2.44	7.7
	ED*2X30B**	MV08B15**B*	TDR&TXV	28,800	0.76	11.00	13.00	26,600	3.46	17,200	2.42	7.7
	ED*2X30F**	*8MPV075	TDR&TXV	28,800	0.76	11.00	13.00	26,600	3.44	17,500	2.40	7.7
	ED*2X30F**	MV12F19**B*	TDR&TXV	28,800	0.76	11.00	13.00	26,600	3.50	17,100	2.44	7.7
	ED*2X36B**	MV08B15**B*	TDR&TXV	28,800	0.76	11.00	13.00	26,000	3.48	17,200	2.42	7.7
	ED*2X36F**	*8MPV075	TDR&TXV	28,800	0.76	11.00	13.00	26,000	3.44	17,500	2.42	7.7
	ED*2X36F**	MV12F19**B*	TDR&TXV	28,800	0.76	11.00	13.00	26,000	3.50	17,100	2.46	7.7
	ED*2X36J**	*8MPV100	TDR&TXV	28,800	0.76	11.00	13.00	26,000	3.50	17,400	2.46	7.7
	ED*2X36J**	*8MPV125	TDR&TXV	28,800	0.76	11.00	13.00	26,000	3.50	17,400	2.46	7.7
	ED*2X36J**	*9MPV100	TDR&TXV	28,800	0.76	11.00	13.00	26,000	3.46	17,500	2.44	7.7
	EHD2X30A**	*8MPV075	TDR&TXV	28,800	0.76	11.00	13.00	26,000	3.40	17,500	2.38	7.7
	EHD2X30A**	*8MPV100	TDR&TXV	28,800	0.76	11.00	13.00	26,000	3.44	17,400	2.42	7.7
	EHD2X30A**	*8MPV125	TDR&TXV	28,800	0.76	11.00	13.00	26,000	3.46	17,300	2.42	7.7
	EHD2X30A**	*9MPV100	TDR&TXV	28,800	0.76	11.00	13.00	26,000	3.42	17,500	2.40	7.7
	EHD2X30A**	*9MPV125	TDR&TXV	28,800	0.76	11.00	13.00	26,000	3.44	17,400	2.40	7.7
	EHD2X30A**	MV08B15**B*	TDR&TXV	28,800	0.76	11.00	13.00	26,000	3.48	17,300	2.42	7.7
	EHD2X30A**	MV12F19**B*	TDR&TXV	28,800	0.76	11.00	13.00	26,000	3.50	17,200	2.44	7.7
	FVM2X24****		TDR&TXV	28,800	0.76	11.00	13.00	26,000	3.56	17,300	2.42	7.7
R2H336AKC R2H336GKC	*FEM2X35****		TDR&TXV	34,000	0.77	10.80	13.00	33,600	3.46	20,600	2.34	7.7
	EB*2X36B**	MV08B15**B*	TDR&TXV	33,800	0.77	10.80	13.00	33,000	3.48	20,200	2.34	7.7
	EB*2X36F**	MV12F19**B*	TDR&TXV	33,800	0.77	10.80	13.00	33,000	3.52	20,000	2.38	7.7
	EB*2X36J**	*8MPV100	TDR&TXV	33,800	0.77	10.80	13.00	33,000	3.52	20,400	2.38	7.7
	EB*2X36J**	*8MPV125	TDR&TXV	33,800	0.77	10.80	13.00	33,000	3.54	20,400	2.38	7.7
	EB*2X36J**	*9MPV100	TDR&TXV	33,800	0.77	10.80	13.00	33,000	3.48	20,600	2.34	7.7
	EB*2X36J**	MV16J22**B*	TDR&TXV	33,800	0.77	10.80	13.00	33,000	3.54	20,000	2.38	7.7
	EB*2X42F**	*8MPV075	TDR&TXV	33,800	0.77	10.80	13.00	33,000	3.46	20,400	2.34	7.7
	EB*2X42F**	MV12F19**B*	TDR&TXV	33,800	0.77	11.00	13.50	33,000	3.54	20,000	2.40	7.7
	EB*2X42J**	*8MPV100	TDR&TXV	33,800	0.77	10.80	13.00	33,000	3.52	20,400	2.38	7.7
	EB*2X42J**	*8MPV125	TDR&TXV	33,800	0.77	10.80	13.00	33,000	3.54	20,400	2.40	7.7
	EB*2X42J**	*9MPV100	TDR&TXV	33,800	0.77	10.80	13.00	33,000	3.50	20,600	2.36	7.7
	EB*2X42J**	MV16J22**B*	TDR&TXV	33,800	0.77	10.80	13.00	33,000	3.56	20,000	2.40	7.7
	EB*2X42L**	*9MPV125	TDR&TXV	33,800	0.77	10.80	13.00	33,000	3.52	20,400	2.38	7.7

- continued on next page -

COOLING & HEATING PERFORMANCE FOR COMBINATION RATINGS (continued)
Indoor Models

Outdoor Model	Indoor Model (‡ tested combo)	Furnace Model	Factory Installed	Cool (95° F)			SEER	Heat (47° F)		Heat (17° F)		HSPF
				BTU/hr	S / T	EER	factory	BTU/hr	COP	BTU/hr	COP	
R2H336AKC R2H336GKC (continued)	EB*2X42L**	MV20L24**B*	TDR&TXV	33,800	0.77	11.00	13.50	33,000	3.56	20,000	2.40	7.7
	ED*2X36B**	MV08B15**B*	TDR&TXV	33,800	0.77	10.80	13.00	33,000	3.48	20,200	2.34	7.7
	ED*2X36F**	MV12F19**B*	TDR&TXV	33,800	0.77	10.80	13.00	33,000	3.52	20,000	2.38	7.7
	ED*2X36J**	*8MPV100	TDR&TXV	33,800	0.77	10.80	13.00	33,000	3.52	20,400	2.38	7.7
	ED*2X36J**	*8MPV125	TDR&TXV	33,800	0.77	10.80	13.00	33,000	3.54	20,400	2.38	7.7
	ED*2X36J**	*9MPV100	TDR&TXV	33,800	0.77	10.80	13.00	33,000	3.48	20,600	2.34	7.7
	ED*2X36J**	MV16J22**B*	TDR&TXV	33,800	0.77	10.80	13.00	33,000	3.54	20,000	2.38	7.7
	ED*2X42F**	*8MPV075	TDR&TXV	33,800	0.77	10.80	13.00	33,000	3.46	20,400	2.34	7.7
	ED*2X42F**	MV12F19**B*	TDR&TXV	33,800	0.77	10.80	13.00	33,000	3.54	20,000	2.40	7.7
	ED*2X42J**	*8MPV100	TDR&TXV	33,800	0.77	10.80	13.00	33,000	3.52	20,400	2.38	7.7
	ED*2X42J**	*8MPV125	TDR&TXV	33,800	0.77	10.80	13.00	33,000	3.54	20,400	2.40	7.7
	ED*2X42J**	*9MPV100	TDR&TXV	33,800	0.77	10.80	13.00	33,000	3.50	20,600	2.36	7.7
	ED*2X42J**	MV16J22**B*	TDR&TXV	33,800	0.77	10.80	13.00	33,000	3.56	20,000	2.40	7.7
	ED*2X42L**	*9MPV125	TDR&TXV	33,800	0.77	10.80	13.00	33,000	3.52	20,400	2.38	7.7
	ED*2X42L**	MV20L24**B*	TDR&TXV	33,800	0.77	11.00	13.50	33,000	3.56	20,000	2.40	7.7
	EHD2X36A**	*8MPV075	TDR&TXV	33,800	0.77	10.80	13.00	33,000	3.50	20,600	2.36	7.7
	FVM2X36****		TDR&TXV	33,800	0.77	10.80	13.00	33,000	3.48	20,000	2.36	7.7
	R2H342AKC R2H342GKC	*FEM2X42****		TDR&TXV	40,000	0.78	11.00	13.00	40,000	3.60	25,600	2.52
EB*2X42F**		MV12F19**B*	TDR&TXV	39,000	0.78	11.00	13.00	39,000	3.62	24,800	2.54	7.7
EB*2X42J**		*8MPV100	TDR&TXV	39,000	0.78	11.00	13.00	39,000	3.62	25,200	2.52	7.7
EB*2X42J**		*8MPV125	TDR&TXV	39,000	0.78	11.00	13.00	39,000	3.62	25,200	2.52	7.7
EB*2X42J**		MV16J22**B*	TDR&TXV	39,000	0.78	11.00	13.00	39,000	3.66	24,800	2.56	7.7
EB*2X42L**		*9MPV125	TDR&TXV	39,000	0.78	11.00	13.00	39,000	3.60	25,200	2.52	7.7
EB*2X42L**		MV20L24**B*	TDR&TXV	39,000	0.78	11.00	13.00	39,000	3.66	24,800	2.56	7.7
EB*2X48F**		MV12F19**B*	TDR&TXV	39,000	0.78	11.00	13.00	38,000	3.62	25,000	2.58	7.7
EB*2X48J**		*8MPV100	TDR&TXV	39,000	0.78	11.00	13.00	39,000	3.62	25,200	2.56	7.7
EB*2X48J**		*8MPV125	TDR&TXV	39,000	0.78	11.00	13.00	39,000	3.62	25,200	2.56	7.7
EB*2X48J**		*9MPV100	TDR&TXV	39,000	0.78	11.00	13.00	39,000	3.58	25,400	2.54	7.7
EB*2X48J**		MV16J22**B*	TDR&TXV	39,000	0.78	11.00	13.50	39,000	3.66	24,800	2.60	7.7
EB*2X48L**		*9MPV125	TDR&TXV	39,000	0.78	11.00	13.00	39,000	3.60	25,200	2.54	7.7
EB*2X48L**		MV20L24**B*	TDR&TXV	39,000	0.78	11.00	13.00	39,000	3.68	24,800	2.60	7.7
ED*2X42F**		MV12F19**B*	TDR&TXV	39,000	0.78	11.00	13.00	39,000	3.62	24,800	2.54	7.7

- continued on next page -

COOLING & HEATING PERFORMANCE FOR COMBINATION RATINGS (continued)
Indoor Models

Outdoor Model	Indoor Model (‡ tested combo)	Furnace Model	Factory Installed	Cool (95° F)			SEER	Heat (47° F)		Heat (17° F)		HSPF
				BTU/hr	S / T	EER	factory	BTU/hr	COP	BTU/hr	COP	
R2H342AKC R2H342GKC (continued)	ED*2X42J**	*8MPV100	TDR&TXV	39,000	0.78	11.00	13.00	39,000	3.62	25,200	2.52	7.7
	ED*2X42J**	*8MPV125	TDR&TXV	39,000	0.78	11.00	13.00	39,000	3.62	25,200	2.52	7.7
	ED*2X42J**	MV16J22**B*	TDR&TXV	39,000	0.78	11.00	13.00	39,000	3.66	24,800	2.56	7.7
	ED*2X42L**	*9MPV125	TDR&TXV	39,000	0.78	11.00	13.00	39,000	3.60	25,200	2.52	7.7
	ED*2X42L**	MV20L24**B*	TDR&TXV	39,000	0.78	11.00	13.00	39,000	3.66	24,800	2.56	7.7
	ED*2X48J**	*8MPV100	TDR&TXV	39,000	0.78	11.00	13.00	39,000	3.62	25,200	2.56	7.7
	ED*2X48J**	*8MPV125	TDR&TXV	39,000	0.78	11.00	13.00	39,000	3.62	25,200	2.56	7.7
	ED*2X48J**	*9MPV100	TDR&TXV	39,000	0.78	11.00	13.00	39,000	3.58	25,400	2.54	7.7
	ED*2X48J**	MV16J22**B*	TDR&TXV	39,000	0.78	11.00	13.00	39,000	3.66	24,800	2.60	7.7
	ED*2X48L**	*9MPV125	TDR&TXV	39,000	0.78	11.00	13.00	39,000	3.60	25,200	2.54	7.7
	ED*2X48L**	MV20L24**B*	TDR&TXV	39,000	0.78	11.00	13.00	39,000	3.68	24,800	2.60	7.7
	EHD2X42A**	*8MPV100	TDR&TXV	39,000	0.78	11.00	13.00	39,000	3.66	25,200	2.56	7.7
	EHD2X42A**	*8MPV125	TDR&TXV	39,000	0.78	11.00	13.00	39,000	3.68	25,200	2.56	7.7
	EHD2X42A**	*9MPV100	TDR&TXV	39,000	0.78	11.00	13.00	39,000	3.62	25,400	2.52	7.7
	EHD2X42A**	*9MPV125	TDR&TXV	39,000	0.78	11.00	13.00	39,000	3.66	25,200	2.54	7.7
	EHD2X42A**	MV12F19**B*	TDR&TXV	39,000	0.78	11.00	13.00	39,000	3.70	25,000	2.58	7.7
	EHD2X42A**	MV16J22**B*	TDR&TXV	39,000	0.78	11.00	13.00	39,000	3.72	25,000	2.60	7.7
	EHD2X42A**	MV20L24**B*	TDR&TXV	39,000	0.78	11.00	13.00	39,000	3.72	25,000	2.60	7.7
	EHD2X48A**	*8MPV075	TDR&TXV	39,000	0.78	11.00	13.00	39,000	3.60	25,600	2.52	7.7
	EHD2X48A**	*8MPV100	TDR&TXV	39,000	0.78	11.00	13.00	39,000	3.66	25,400	2.56	7.7
	EHD2X48A**	*8MPV125	TDR&TXV	39,000	0.78	11.00	13.00	39,000	3.68	25,200	2.58	7.7
	EHD2X48A**	*9MPV100	TDR&TXV	39,000	0.78	11.00	13.00	39,000	3.62	25,400	2.54	7.7
	EHD2X48A**	*9MPV125	TDR&TXV	39,000	0.78	11.00	13.00	39,000	3.66	25,200	2.56	7.7
	EHD2X48A**	MV12F19**B*	TDR&TXV	39,000	0.78	11.00	13.00	39,000	3.72	25,000	2.58	7.7
EHD2X48A**	MV16J22**B*	TDR&TXV	39,000	0.78	11.00	13.00	39,000	3.72	25,000	2.60	7.7	
EHD2X48A**	MV20L24**B*	TDR&TXV	39,000	0.78	11.00	13.00	39,000	3.72	25,000	2.60	7.7	
FEM2X48****		TDR&TXV	39,000	0.78	11.00	13.00	38,000	3.60	25,400	2.58	7.7	
FVM2X36****		TDR&TXV	39,000	0.78	11.00	13.00	39,000	3.54	24,800	2.50	7.7	
R2H348AKC R2H348GKC	*FEM2X48****		TDR&TXV	46,000	0.76	11.00	13.00	45,000	3.52	28,800	2.52	7.8
	EB*2X48J**	MV16J22**B*	TDR&TXV	46,000	0.76	11.00	13.00	45,000	3.52	28,600	2.54	7.8
	EB*2X48L**	MV20L24**B*	TDR&TXV	46,000	0.76	11.00	13.00	45,000	3.52	28,600	2.54	7.8
	ED*2X48J**	MV16J22**B*	TDR&TXV	46,000	0.76	11.00	13.00	45,000	3.52	28,600	2.54	7.8

- continued on next page -

COOLING & HEATING PERFORMANCE FOR COMBINATION RATINGS (continued)
Indoor Models

Outdoor Model	Indoor Model (‡ tested combo)	Furnace Model	Factory Installed	Cool (95° F)			SEER	Heat (47° F)		Heat (17° F)		HSPF
				BTU/hr	S / T	EER	factory	BTU/hr	COP	BTU/hr	COP	
R2H348AKC R2H348GKC (continued)	ED*2X48L**	MV20L24**B*	TDR&TXV	46,000	0.76	11.00	13.00	45,000	3.52	28,600	2.54	7.8
	EHD2X48A**	MV16J22**B*	TDR&TXV	46,000	0.76	11.00	13.00	45,000	3.56	28,600	2.54	7.8
	EHD2X48A**	MV20L24**B*	TDR&TXV	46,000	0.76	11.00	13.00	45,000	3.56	28,600	2.54	7.8
	FVM2X48****		TDR&TXV	46,000	0.76	11.00	13.00	44,500	3.46	28,800	2.54	7.8
R2H360AKC R2H360GKC	*FEM2X60****		TDR&TXV	55,000	0.8	11.00	13.00	55,000	3.58	34,800	2.50	7.8
	EHD2X60A**	MV16J22**B*	TDR&TXV	55,000	0.8	11.00	13.00	55,000	3.62	34,600	2.52	7.8
	EHD2X60A**	MV20L24**B*	TDR&TXV	55,000	0.8	11.00	13.00	55,000	3.62	34,600	2.52	7.8
	FVM2X60****		TDR&TXV	55,000	0.8	11.00	13.00	54,000	3.54	34,600	2.52	7.8

OUTDOOR UNIT MODEL NUMBER IDENTIFICATION GUIDE (single phase)											
Digit Position:	1	2	3	4	5, 6	7	8	9	10	11	12
Example Part Number:	R	2	H	3	18	A	K	C	1	0	0
Product Family	REFRIGERANT 2 = R-22 4 = R-410A		TYPE A = Air Conditioner H = Heat Pump								
	NOMINAL EFFICIENCY 3 = 13 SEER 4 = 14 SEER										
	NOMINAL CAPACITY 18 = 18,000 BTUH = 1½ tons 24 = 24,000 BTUH = 2 tons 30 = 30,000 BTUH = 2½ tons 36 = 36,000 BTUH = 3 tons 42 = 42,000 BTUH = 3½ tons 48 = 48,000 BTUH = 4 tons 60 = 60,000 BTUH = 5 tons										
	FEATURES A = Standard Grille G = Coil Guard Grille										
	VOLTAGE K = 208/230-1-60										
Sales Code											
Engineering Revision											
Extra Digit											
Extra Digit											

ACCESSORIES PART NUMBER IDENTIFICATION GUIDE									
Digit Position:	1	2	3	4	5	6, 7	8, 9	10, 11	
Example Part Number:	N	A	S	A	0	01	01	CH	
N = Non-Branded	BRANDING								
A = Accessory	PRODUCT GROUP								
S = Split System (AC & HP)	KIT USAGE								
A = Original B = 2nd Generation	MAJOR SERIES								
0 = Generic or Not Applicable									
2 = R-22 4 = R-410A	REFRIGERANT								
Product Identifier Number									
Package Quantity									
Type of Kit (Example: CH = Crankcase Heater)									