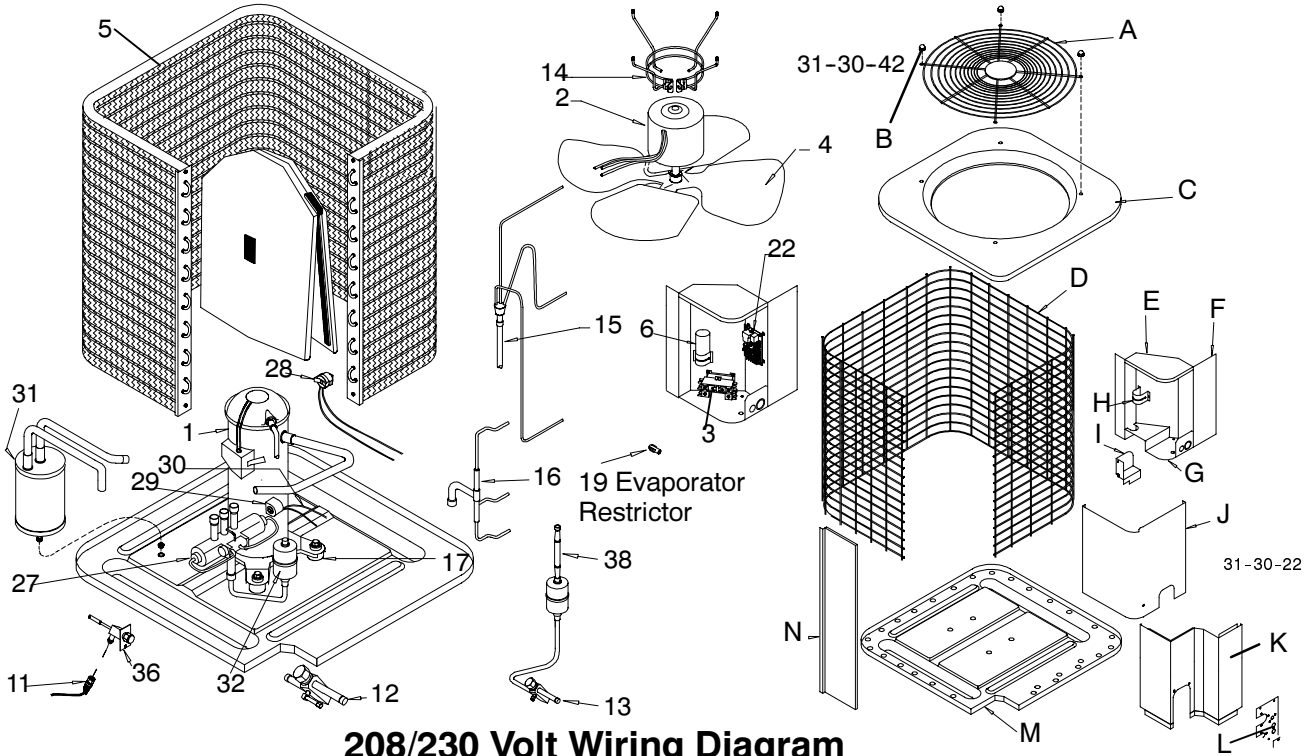
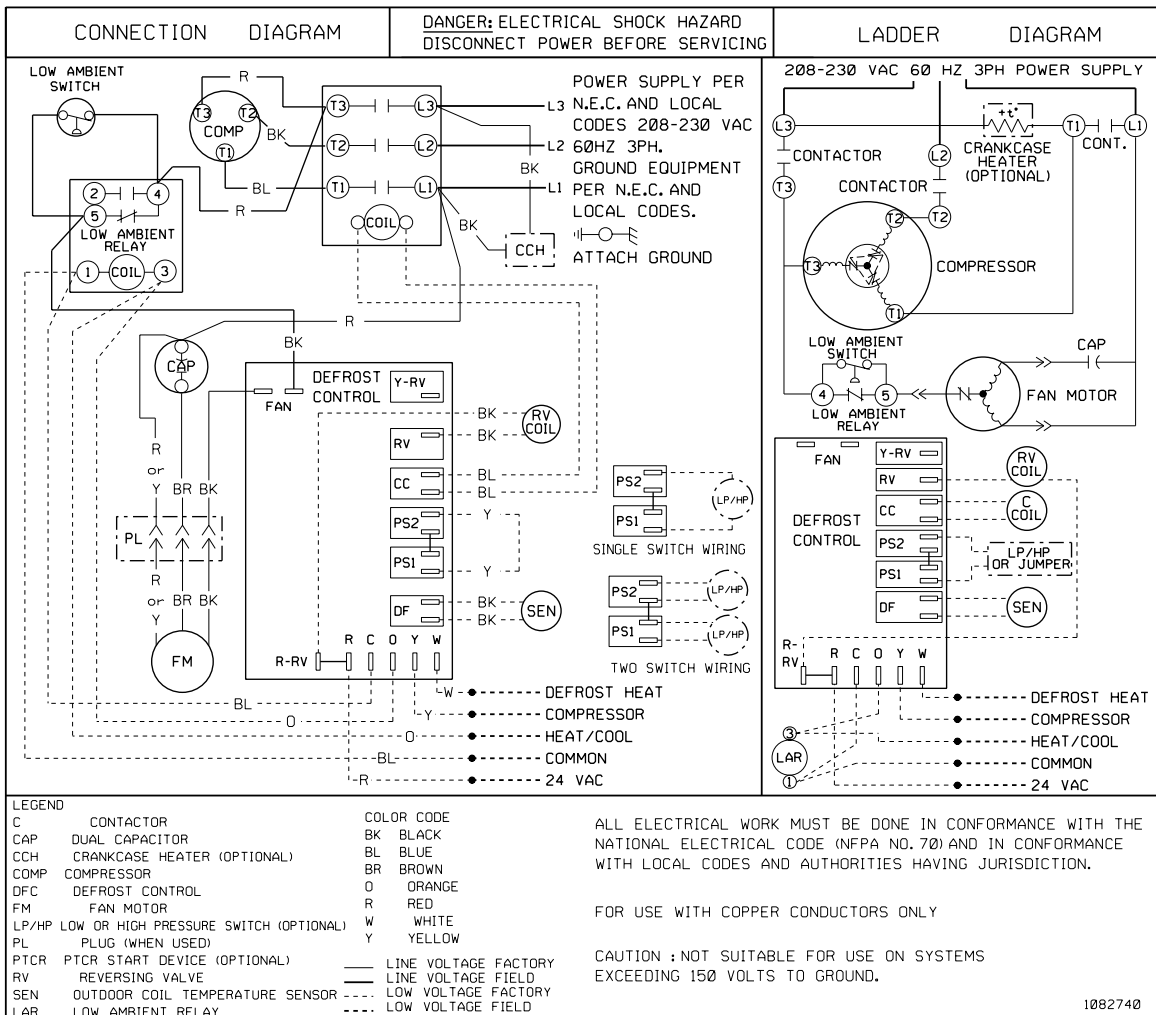


Replacement Parts - CH55 & CBY SERIES, 3 PHASE

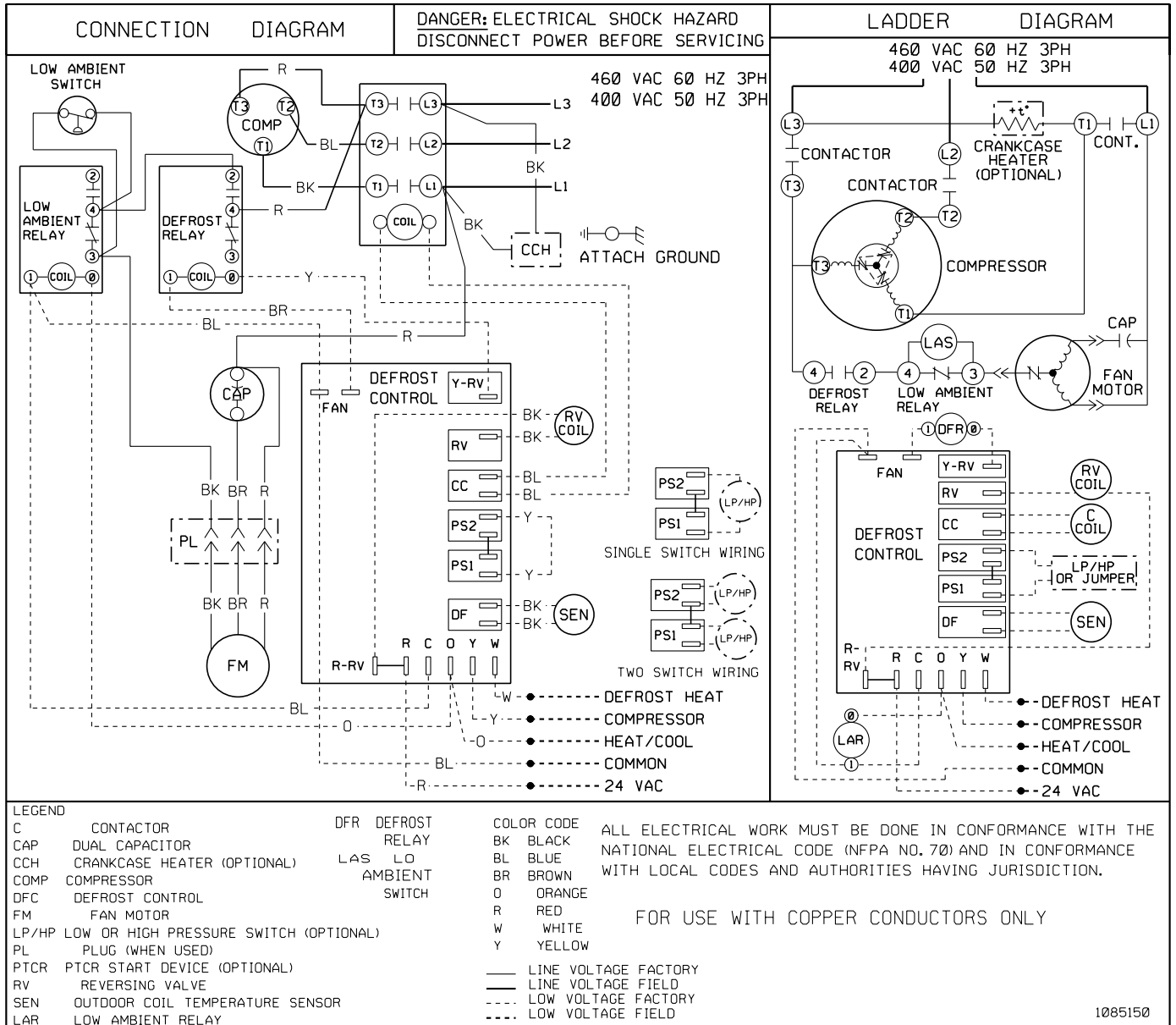


208/230 Volt Wiring Diagram



Replacement Parts - CH55 & CBY SERIES, 3 PHASE

460 Volt Wiring Diagram



Replacement Parts - CH55 & CBY SERIES, 3 PHASE

**MODELS: CH5536VHD, CH5548VHD, CH5560VHD, CH5536VHL, CH5548VHL, CH5560VHL
CBY036HB, CBY048HB, CBY060HB, CBY036FB, CBY048FB, CBY060FB**

KEY NO.	DESCRIPTION	Part No.	'VHD/HB' 208/230 Volt			'VHL/FB' 460 Volt		
			36	48	60	36	48	60
1	Compressor ZR36K3TF5	1084534	1					
1	ZR47KCTF5	1084531	*	1				
1	ZR61KCTF5	1084537	*	*	1			
1	ZR36K3TFD	1085151	*	*	*	1		
1	ZR45KCTFD	1085152	*	*	*	*	1	
1	ZR61KCTFD	1085153	*	*	*	*	*	1
2	Motor, Fan	1082642	1					
2		1052820	*	1	1			
2		1069783	*	*	*	1		
2		1085155	*	*	*	*	1	1
3	Contacto 30 AMP	1149656	1	1	1	1	1	1
4	FAN	1080773	1					
4		1053345	*	1			1	1
4		1053341	*	*	1			
4		1080777	*	*	*	1		
5	Condenser	1084981	1			1		
5		1084998	*	1			1	
5		1085007	*	*	1			1
6	Capactor, 5MFD,370V	1094954	1	1	1	1		
6	7. 5MFD,370V	1094239	*	*	*	*	1	1
10	Switch, High Pressure	1063432	1	1	1	1	1	1
11	Switch, Low Pressure	1081019	1	1	1	1	1	1
12	Valve, Service Suction	1080980	1			1		
12		1080996	*	1			1	
12		1084848	*	*	1			1
13	Valve, Service Liquid	1080999	1			1		
13		1081000	*	1	1		1	1
14	Mount, Fan Motor	1051460	1			1		
14		1081813	*	1	1		1	1
15	Distributor Assy	1084985	1			1		
15		1085002	*	1			1	
15		1085021	*	*	1			1
16	Manifold	1084983	1			1		
16		1085000	*	1			1	
16		1085009	*	*	1			1
16		1085013	*	*	3			3
17	Grommet, Compressor	1052060	4	4	4	4	4	4
19	Restrictor Orifice (.070)	1053644	1			1		
19	(.082)	1092222	*	1			1	
19	(.093)	1055493	*	*	1			1
21	Relay, SPST (Hat/Cool)	1058148	1	1	1			
21		1085156	*	*	*	1	1	1
22	Control, Defrost	1069364	1	1	1	1	1	1
25	Drier, Filter	1064507	1	1	1	1	1	1
27	Valve, Reversing	1095226	1			1		
27		1095319	*	1			1	
27		34329030	*	*	1			1
28	Sensor, Defrost	1082738	1	1	1	1	1	1
29	Coil, Reversing Valve	34329055	1	1	1	1	1	1

KEY NO.	DESCRIPTION	Part No.	'VHD/HB' 208/230 Volt			'VHL/FB' 460 Volt		
			36	48	60	36	48	60
30	Harness, Reversing Valve	1066711	1	1	1	1	1	1
31	Accumulator	1081064	1			1		
31		1081063	*	1			1	
31		1081065	*	*	1			1
32	Muffler	1059730	1	1	1	1	1	1
32	Muffler	1059730	1	1	1	1	1	1
36	Port, Assy. Test, HI/LO	1082739	1	1	1	1	1	1
38	Restrictor, (.063)	1080984	1			1		
38	(.076)	1080986	*	1			1	
38	(.080)	1080987	*	*	1			1
39	Harness, Comp. W/Plug	1084541	1	1	1			
39		1085154	*	*	*	1	1	1
40	Switch, Low Ambient	1057769	1	1	1	1	1	1
A	Grille, Outlet	1084613	*	1	1		1	1
B	Nut, Cap	1052963	4			4		
B		1053248	*	4	4		4	4
C	Panel, Top	1084559	1			1		
C		1084560	*	1	1		1	1
D	Grille, Inlet	1084596	1			1		
D		1084941	*	1			1	
D		1084609	*	*	1			1
E	Top, Control Box	1064362	1	1	1	1	1	1
F	Box, Control	1081433	1	1	1			
F		1085167	*	*	*	1	1	1
G	Bottom, Control Box	1064364	1	1	1	1	1	1
H	Clamp, Capacitor	1095020	1	1	1	1	1	1
I	Divider, Low Voltage	1051297	1	1	1	1	1	1
J	Cover, Control Box	1084564	1	1	1	1	1	1
K	Panel, Corner	1084572	1		1	1		1
K		1084952	*	1			1	
L	Plate, Fitting	1052849	1	1		1	1	
L		1081007	*	*	1			1
M	Basepan	1084552	1			1		
M		1084554	*	1	1		1	1
N	Panel, Access	1085019	*	1			1	
N		1084615	*	*	1			1
)	Manual, Instalation	506011001	1	1	1	1	1	1
(Manual, Users	428021101	1	1	1	1	1	1