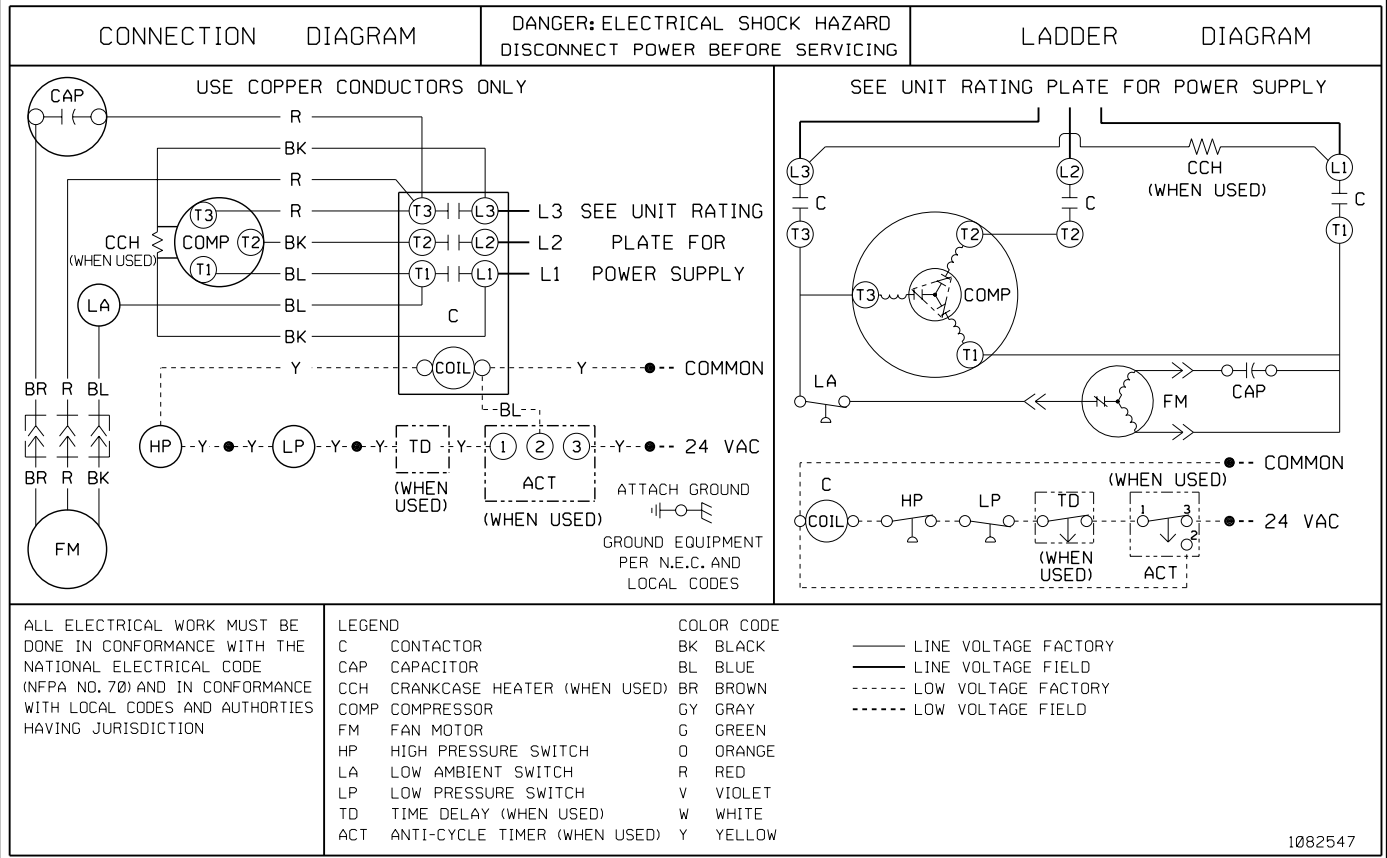
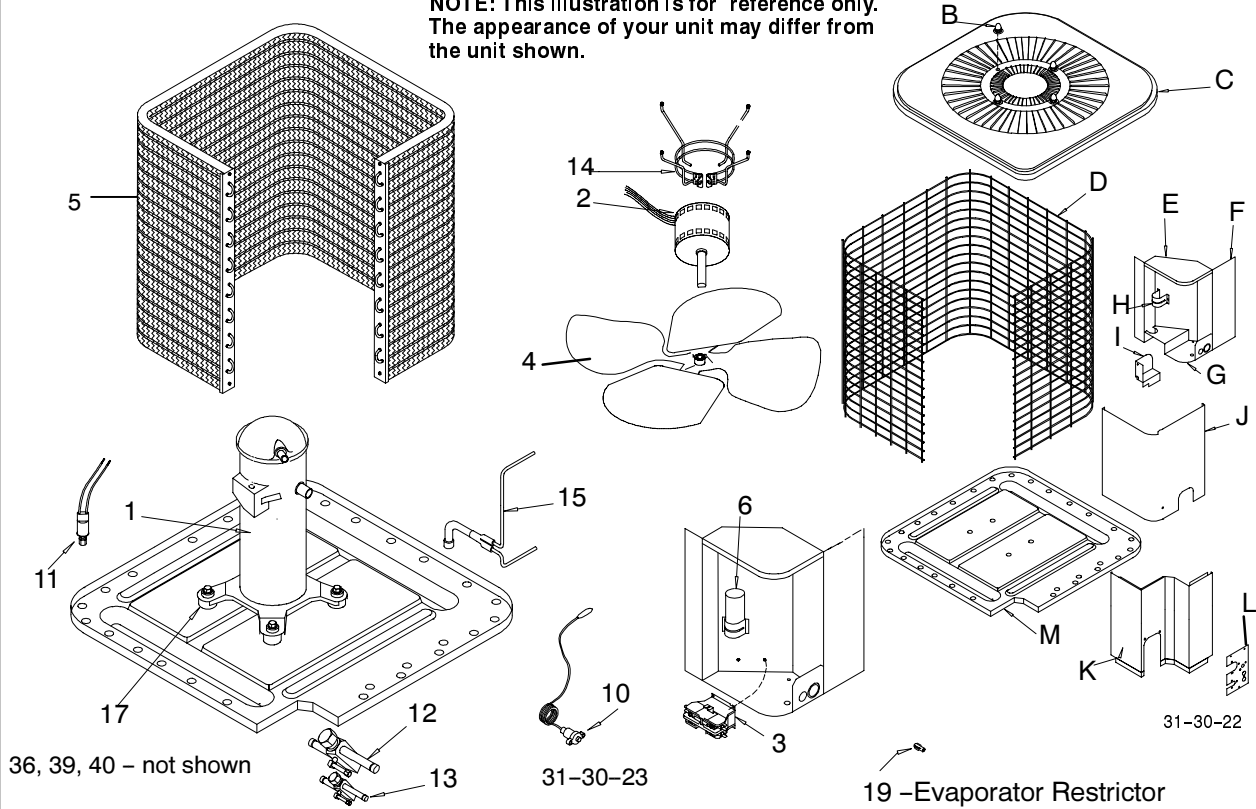


# Replacement Parts – CA55 & CBA SERIES, Three Phase

NOTE: This illustration is for reference only. The appearance of your unit may differ from the unit shown.



1082547

# Replacement Parts – CA55 & CBA SERIES, Three Phase

Models - CA5536VHD2, CA5536VHD3, CA5548VHD2, CA5560VHD2, CA5536VLD2, CA5548VLD2, CA5560VLD2  
CBA036HB2, CBA036HB3, CBA048HB2, CBA060HB2, CBA036FB2, CBA048FB2, CBA060FB2

#	DESCRIPTION Functional	Part No.	36V HD2 /HB2	36V HD3 /HB3	48 VH HB	60 VH HB	36 VL FB	48 VL FB	60 VL FB
1	Comp. ZR36K3TF5	1084534	1	1					
1	ZR45KCTF5	1084532	*	*	1				
1	ZR61KCTF5	1084537	*	*	*	1			
1	ZR36K3TFD	1082646	*	*	*	*	1		
1	ZR45KCTFD	1082648	*	*	*	*	*	1	
1	ZR61KCTFD	1069414	*	*	*	*	*	*	1
2	Motor, Fan	1068865	1						
2		1082639	*	1					
2		1082642	*	*	1	1			
2		1069412	*	*	*	*	1		
2		1069783	*	*	*	*	*	1	1
3	Contacto 30Amp 3Pole	607339	1	1	1	1	1	1	1
4	Fan	1080796	1	1			1		
4		1080777	*	*	1			1	
4		1068558	*	*	*	1			1
5	Condenser	1082568	1	1			1		
5		1082570	*	*	1			1	
5		1082571	*	*	*	1			1
6	Capacitor, 5Mfd.,370Volt	1094954	1	*	1	1	1	1	1
6	3Mfd.,370Volt	1094963	*	1					
10	Switch, High Pressure	1069160	1	1	1	1	1	1	1
11	Switch, Low Pressure	1080365	1	1	1	1	1	1	1
12	Valve, Service Suction	1080995	1	1			1		
12		1080996	*	*	1			1	
12		1084848	*	*	*	1			1
13	Valve, Service Liquid	1080999	1	1			1		
13		1081000	*	*	1	1		1	1
14	Mount, Fan Motor	1051460	*	*	1	1		1	1
15	Distributor Assembly	1082522	1	1			1		
15		1082560	*	*	1	1		1	1
17	Grommet, Compressor	1052060	4	4	4	4	4	4	4
19	Restrictor .072	1069387	1	1			1		
19	.079	1053661	*	*	1			1	
19	.089	1057897	*	*	*	1			1
36	Port Assembly, Hi/Lo (Test)	1081841	1	1	1	1	1	1	1
39	Plug, Compressor	1083654	1	1	1	1			
40	Switch, Low Ambient	1059429	1	1	1	1	1	1	1

#	DESCRIPTION Functional	Part No.	36V HD2 /HB2	36V HD3 /HB3	48 VH HB	60 VH HB	36 VL FB	48 VL FB	60 VL FB
B	Nut, Cap	1052962	4	4			4		
B		1052963	*	*	4	4		4	4
C	Panel, Top	1084650	1				1		
C		1084556	*	1					
C		1084559	*	*	1	1		1	1
D	Grille, Inlet	1084587	1	1			1		
D		1084599	*	*	1			1	
D		1084600	*	*	*	1			1
E	Top, Control Box	1064781	1	1			1		
E		1064362	*	*	1	1		1	1
F	Box, Control	1097132	1	1			1		
F		1097104	*		1	1		1	1
G	Bottom, Control Box	1052888	1	1			1		
G		1064364	*	*	1	1		1	1
H	Clamp, Capacitor	1095020	1	1	1	1	1	1	1
I	Divider, Low Voltage	1051297	1	1	1	1	1	1	1
J	Cover, Control Box	1084563	1	1			1		
J		1084564	*	*	1	1		1	1
K	Panel, Corner	1084568	1	1			1		
K		1084574	*	*	1			1	
K		1084576	*	*	*	1			1
L	Plate, Fitting	1052849	1	1	1		1	1	
L		1081007	*	*	*	1			1
M	Basepan	1084550	1	1			1		
M		1084552	*	*	1	1		1	1
)	Manual, Parts List	501041104	1	1	1	1	1	1	1
)	Manual, Installation	501011101	1	1	1	1	1	1	1
)	Manual, Users	421021102	1	1	1	1	1	1	1