

Parts List, Technical Labels, & Wiring Diagrams

Models

PGAD42D1K6

PGAD42E1K6

PGAD47D1K6

PGAD47F1K6

PGAD60E1K6

PGAD60G1K6

PGME42G0906

PGME42G1156

PGME48G0906

PGME48G1356

PGME60G1156

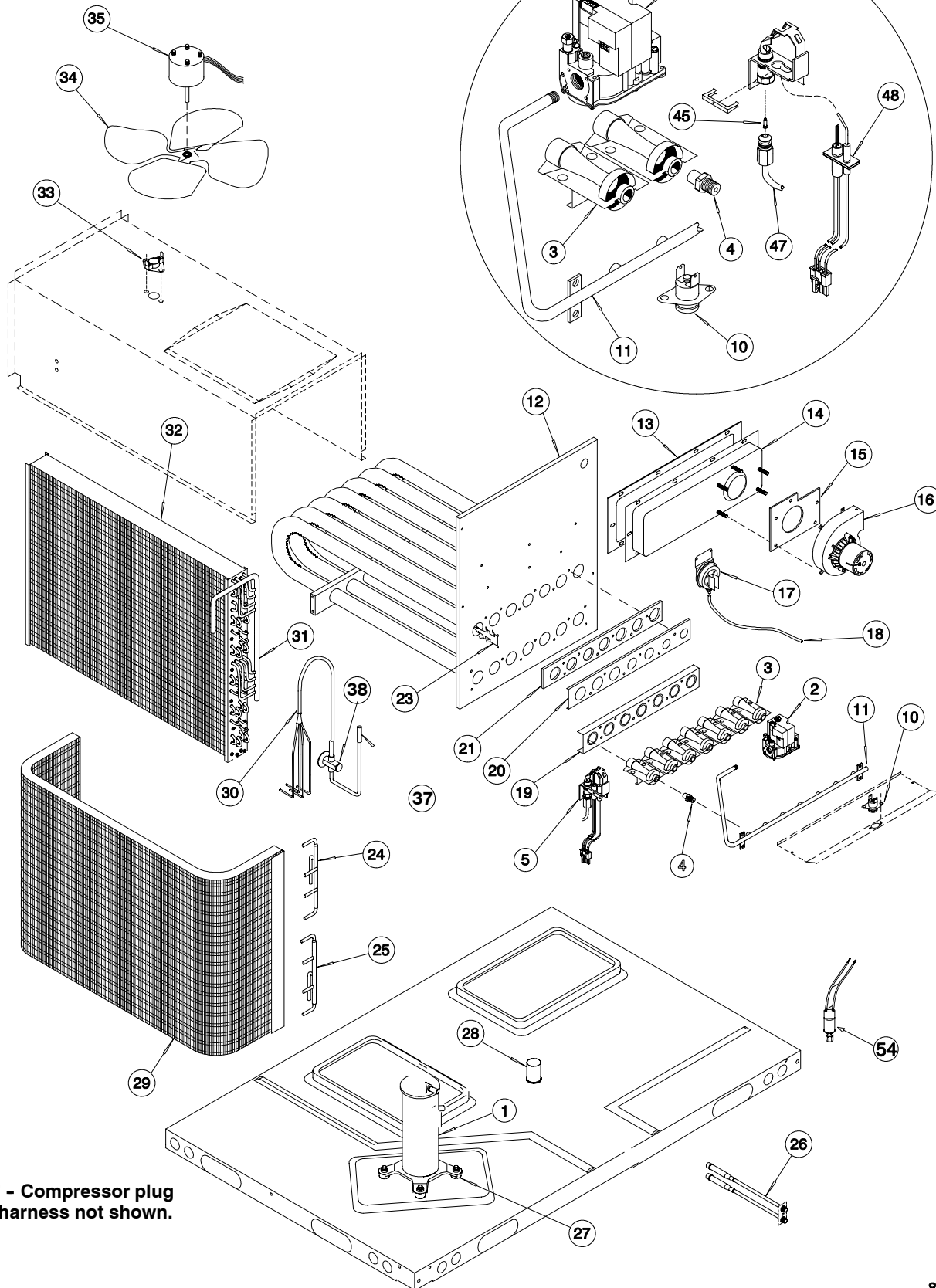
PGME60G1506

Package Gas-Electric

Combination Units

Functional Parts

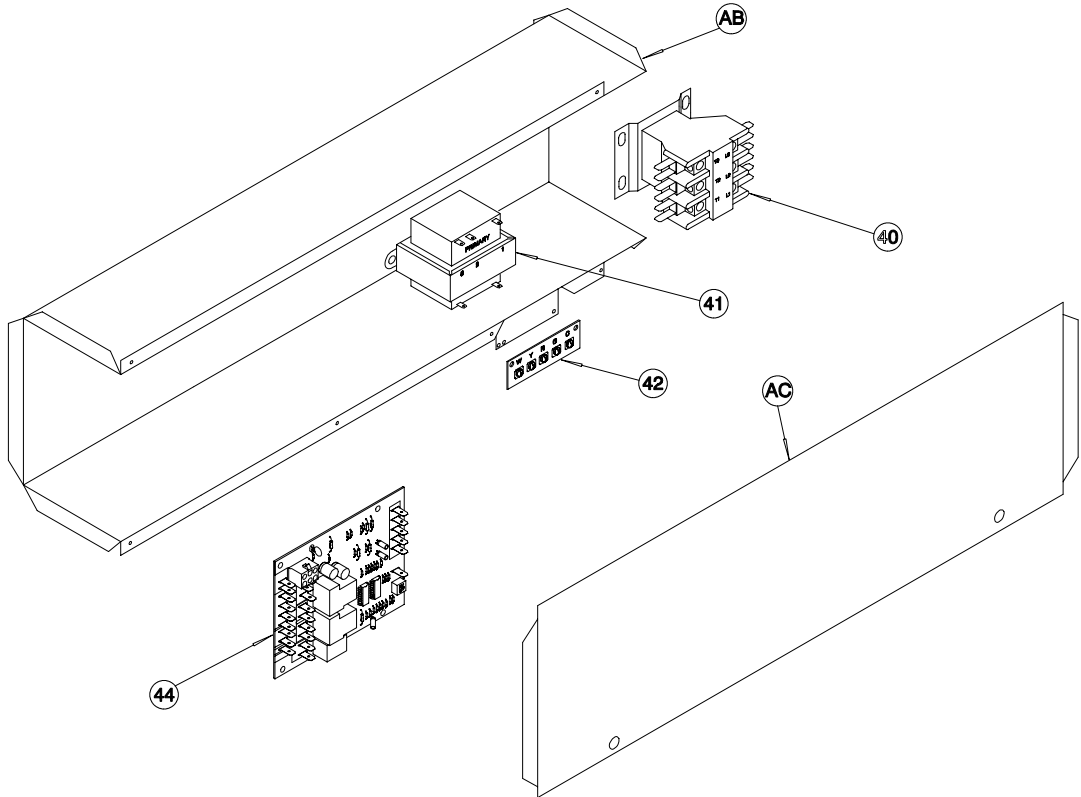
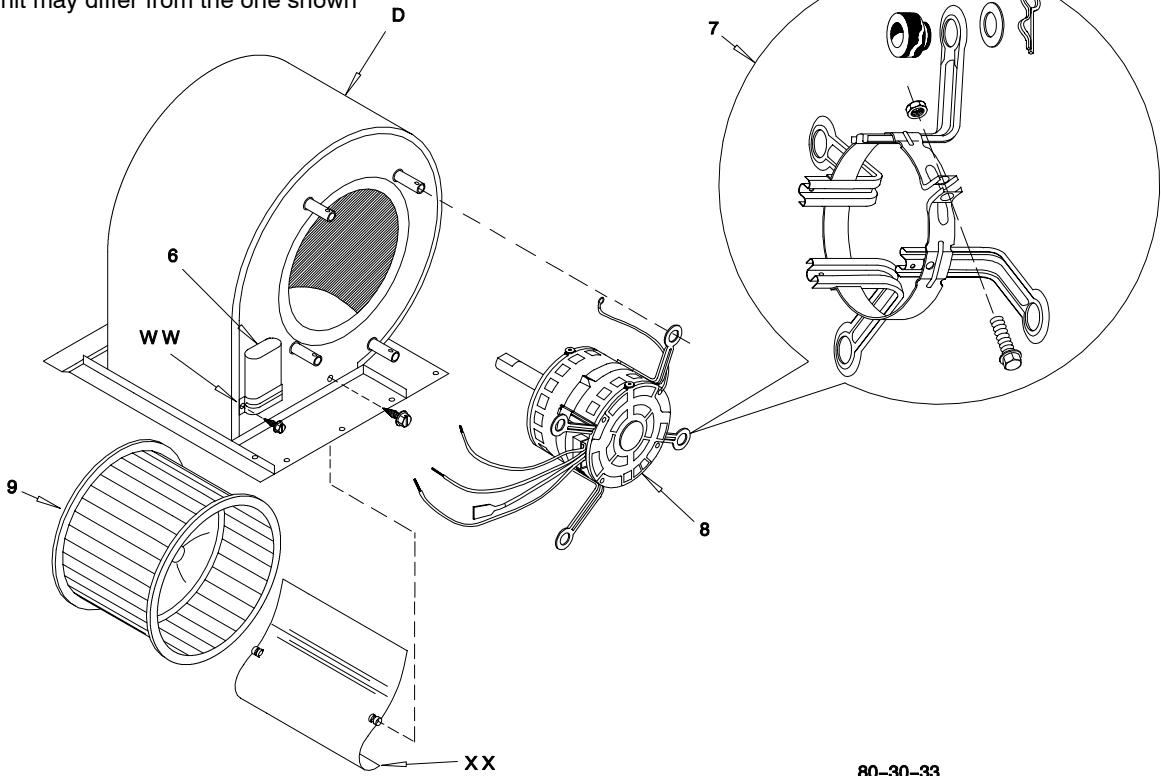
Illustration is for reference only,
your unit may differ from the one shown



80-31-26

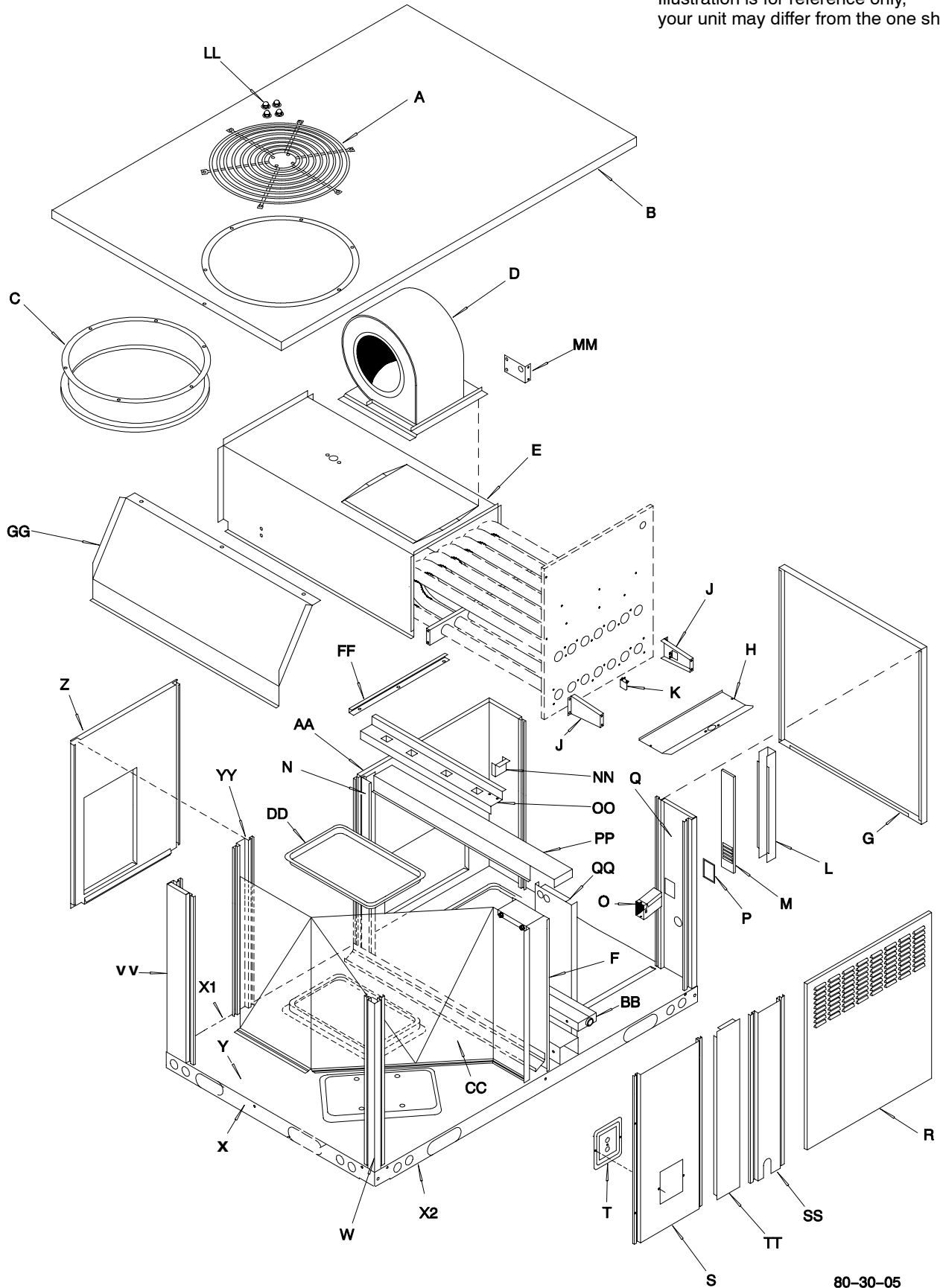
Blower & Control Box Assemblies

Illustration is for reference only,
your unit may differ from the one shown



NON-FUNCTIONAL PARTS

Illustration is for reference only,
your unit may differ from the one shown



80-30-05

			MODELS					
No.	Description	Part Number	PGAD42D1K5 PGME42G0905	PGAD42E1K5 PGME42G1155	PGAD47D1K5 PGME48G0905	PGAD47F1K5 PGME48G1355	PGAD60E1K5 PGME60G1155	PGAD60G1K5 PGME60G1505
1	Compressor, ZR40K3PFV	1083000	1	1				
1	ZR46K3PFV	1083018	-	-	1	1		
1	ZR57K3PFV	1083019	-	-	-	-	1	1
2	Valve, Gas (Nat. & L.P.)	1011024	1	1	1	1	1	1
3	Burner Asy	1008725	1		1			
3		1008726	-	1			1	
3		1009179	-	-	-	1		
3		1009180	-	-	-	-	-	1
4	Orifice, Burner, Nat. #43	1065252	4	5	4	6	5	7
4	L.P. # 55	1065255	4	5	4	6	5	7
5	Burner, Pilot/Igniter (Nat.-L.P.)	1149856	1	1	1	1	1	1
6	Capacitor, 15Mfd., 370Volt	1094959	1	1	1			
6	20Mfd., 440Volt	1094968	-	-	-	1	1	1
7	Mount, Motor Kit	1004905	1	1	1			
7		1002804	-	-	-	1	1	1
8	Motor, Blower 1/2 HP, 230 Volt	1065278	1	1	1			
8	1 HP, 230 Volt	1054585	-	-	-	1		
8	1 HP, 230 Volt	1065129	-	-	-	-	1	
8	1 HP, 230 Volt	1054586	-	-	-	-	-	1
9	Wheel, Blower (10-9 DD)	1057877	1	1	1			
9	(11-11 DD)	1054593	-	-	-	1	1	1
10	Switch, Limit (Rollout)	1005549	1	1	1	1	1	1
11	Manifold, Gas	1004140	1		1			
11		1004141	-	1			1	
11		1054272	-	-	-	1		
11		1054414	-	-	-	-	-	1
12	Heat Exchanger	1084482	1		1			
12		1084483	-	1			1	
12		1084484	-	-	-	1		
12		1084485	-	-	-	-	-	1
13	Gasket, Collector Box	1065210	1	1	1	1	1	1
14	Box, Collector	1065257	1	1	1	1	1	1
15	Gasket, Combustion Blower	607014	1	1	1	1	1	1
16	Blower, Combustion	1054268	1	1	1	1	1	1
17	Switch, Pressure	1083165	1	1	1	1	1	1
18	Tube, Sensor	1003687	1	1	1	1	1	1
19	Plate, Injector	1084330	1		1			
19		1084331	-	1			1	
19		1084332	-	-	-	1		
19		1084333	-	-	-	-	-	1
20	Plate, Restrictor	1054395	1		1			
20		1054394	-	1			1	
20		1054393	-	-	-	1		
20		1054392	-	-	-	-	-	1
21	Gasket, Restrictor Plate	1065214	1		1			
21		1065213	-	1			1	
21		1065212	-	-	-	1		
21		1065211	-	-	-	-	-	1
23	Turbulator, Outlet	1054516	4	5	4	6	5	7
24	Manifold, Condenser (Disch.)	1054556	1	1	1	1	1	1
25	Manifold, Condenser (Liquid)	1065475	1	1	1	1	1	1
26	Port Assembly	1083619	1	1	1	1	1	1
27	Grommet, Compressor Mtg.	1052060	4	4	4	4	4	4

			MODELS					
No.	Description	Part Number	PGAD42D1K5 PGME42G0905	PGAD42E1K5 PGME42G1155	PGAD47D1K5 PGME48G0905	PGAD47F1K5 PGME48G1355	PGAD60E1K5 PGME60G1155	PGAD60G1K5 PGME60G1505
28	Capacitor, 55 + 7.5 Mfd., 370V.	1084310	1	1				
28	60 + 7.5 Mfd., 370V	1149997	-	-	1	1		
28	80 + 7.5 Mfd., 370V	1149999	-	-	-	-	1	1
29	Coil, Condenser	1066920	1	1	1	1	1	1
30	Tube, Feeder Asy	1067441	1	1				
30		1067440	-	-	1	1	1	1
31	Manifold, Evaporator	1066589	1	1				
31		1066077	-	-	1	1	1	1
32	Coil, Evaporator	1067439	1	1				
32		1067438	-	-	1	1	1	1
33	Switch, Limit (Blower Deck)	1065295	1		1	1	1	
33		1065294	-	1				
33		1065702	-	-	-	-	-	1
34	Fan, Condenser	1080795	1	1	1	1	1	1
35	Motor, Cond. Fan, 1/2HP, 230V	1098504	1	1	1	1	1	1
37	Tube, W/Strainer	1066923	1	1	1	1	1	1
38	Valve, Expansion	1066926	1	1	1	1		
38		1066901	-	-	-	-	1	1
40	Contacto, 40 Amp, 2 Pole	1053980	1	1	1	1	1	1
41	Transformer, 208-240V Pri, 24V Sec 40VA	1082611	1	1	1	1	1	1
42	Board, Terminal Low Voltage	612254	1	1	1	1	1	1
44	Timer, Fan	1009838	1	1	1	1	1	1
45	Orifice, Pilot Burner Nat.(.020)	1160403	1	1	1	1	1	1
45	L.P. (.012)	612923	1	1	1	1	1	1
47	Tube, Pilot	64930	1	1	1	1	1	1
48	Ignitor & Sensor	1009524	1	1	1	1	1	1
54	Switch, Low Pressure	1081019	1	1	1	1	1	1
57	Plug, Compressor Harness	1083935	1	1	1	1	1	1
A	Grille, Outlet	1064542	1	1	1	1	1	1
AA	Panel, Supply Air	1068161	1	1	1	1	1	1
AB	Box, Control	1054509	1	1	1	1	1	1
AC	Cover, Control Box	1054510	1	1	1	1	1	1
B	Panel, Top	1068157	1	1	1	1	1	1
BB	Pan, Drain	1068366	1	1	1	1	1	1
C	Orifice, Condenser Fan	1065725	1	1	1	1	1	1
CC	Partition, Return Air	1054471	1	1	1	1	1	1
D	Housing, Blower	1065072	1	1	1			
D		1065074	-	-	-	1	1	1
DD	Cover, Duct	1068158	2	2	2	2	2	2
E	Deck, Blower	1065379	1	1	1	1	1	1
F	Baffle, Air	1082435	1	1	1	1	1	1
FF	Bracket, Supply Air	1054525	1	1	1	1	1	1
G	Panel, Access (Heat Exch.)	1068181	1	1	1	1	1	1
GG	Baffle, Air	1054522	1	1	1	1	1	1
H	Shield, Burner	1054422	1		1			
H		1054267	-	1			1	
H		1054382	-	-	-	1		
H		1054415	-	-	-	-	-	1
J	Support, Manifold	1084327	2	2	2	2	2	2
K	Bracket, Ignitor	1054275	1	1	1	1	1	1
L	Hood, Flue Exhaust	1054621	1	1	1	1	1	1
LL	Nut, Cap	1067902	4	4	4	4	4	4

			MODELS					
No.	Description	Part Number	PGAD42D1K5 PGME42G0905	PGAD42E1K5 PGME42G1155	PGAD47D1K5 PGME48G0905	PGAD47F1K5 PGME48G1355	PGAD60E1K5 PGME60G1155	PGAD60G1K5 PGME60G1505
M	Support, Flue	1054620	1	1	1	1	1	1
MM	Bracket, Blower Support	1065030	-	-	-	1	1	1
N	Bracket, Evap	1082436	1	1	1	1	1	1
NN	Bracket, Filter Top	1065618	1	1	1	1	1	1
O	Extension, Combustion Blower	1054461	1	1	1	1	1	1
OO	Support, Filter Top	1054502	1	1	1	1	1	1
P	Gasket, Extension	1065260	1	1	1	1	1	1
PP	Panel, Coil Support	1082434	1	1	1	1	1	1
Q	Post, Corner (Heating)	1068188	1	1	1	1	1	1
QQ	Panel, Heating Area	1054508	1	1	1	1	1	1
R	Panel Access (Gas)	1068184	1	1	1	1	1	1
S	Panel, Pressure Port	1068164	1	1	1	1	1	1
SS	Panel, Drain Outlet	1068162	1	1	1	1	1	1
T	Plate, Pressure Port	1068189	1	1	1	1	1	1
TT	Panel, Filter Access	1068175	1	1	1	1	1	1
VV	Post, Return Air	1068168	1	1	1	1	1	1
W	Post, Corner	1068172	1	1	1	1	1	1
WW	Clamp, Capacitor	1095020	1	1	1			
WW		1095022	-	-	-	1	1	1
X	Rail, Base	1065001	2	2	2	2	2	2
X1	Rail, Base	1054464	1	1	1	1	1	1
X2	Rail, Base	1084078	1	1	1	1	1	1
XX	Panel, Blower Cutoff	95145	1	1	1			
XX		1065073	-	-	-	1	1	1
Y	Panel, Base	1054463	1	1	1	1	1	1
YY	Post, Center	1068163	1	1	1	1	1	1
Z	Panel, Return Air	1068160	1	1	1	1	1	1
Z1	Grille, inlet (Front)	1082279	1	1	1	1	1	1
Z2	(End)	1082281	1	1	1	1	1	1
Z3	(Rear)	1082280	1	1	1	1	1	1
)(Gas Conversion Kit Nat. To L.P.	1084495	1		1			
)(1084496	-	1			1	
)(1084497	-	-	-	1		
)(1084498	-	-	-	-	-	1
)(Gas Conversion Kit L.P. To Nat.	1148142	1	1	1	1	1	1
)(Manual, Installation	4620110 01	1	1	1	1	1	1
)(Manual, Users	1068276	1	1	1	1	1	1

Technical Labels

Style No:		PGAD42D1KB / PGME42G090B				Outdoor Ambient Temperature - Degrees F. Dry Bulb																																																																															
		Gas Type		NAT	IDB	75				85				95				105				115																																																															
		Std Input		90		Entering Indoor Temperature - Degrees F. Wet Bulb				59				63				67				71																																																															
Voltage	208 / 230	Gas Type		NAT	IDB	59				63				67				71				59				63				67				71																																																			
Phase	1	Std Input		90		38.6				40.0				43.8				-				37.6				39.0				42.8				-				36.7				38.1				41.7				-				34.9				36.2				39.6				-				32.3				33.5				36.7				-			
Ampacity	31	Low Fire Input		75	0.76				0.64				0.44				-				0.78				0.65				0.45				-				0.81				0.68				0.47				-				0.84				0.70				0.49				-				0.85				0.71				0.49				-				
Wire Ga/Ft	8 / 72	Std Output		71	16.1				16.4				16.8				-				17.2				17.5				18.0				-				18.2				18.5				19.0				-				19.1				19.5				20.1				-				20.1				20.5				21.1				-				
Delay Fuse	40	Low Fire Output		60	165				178				188				-				188				202				213				-				214				230				243				-				241				259				273				-				266				286				302				-				
Max. Fuse	50	Gas Valve (HSP)		HW	66				71				77				-				69				73				80				-				73				77				84				-				76				81				88				-				79				84				91				-				
Compressor	COPELAND	Regulation		SNAP	39.2				40.4				43.7				46.9				38.3				39.4				42.7				45.8				37.4				38.5				41.6				44.7				35.5				36.5				39.5				42.4				32.9				33.8				36.6				39.3				
RLA	19.9	Manifold Press		3.5	0.87				0.78				0.59				0.38				0.89				0.80				0.60				0.39				0.92				0.82				0.62				0.40				0.95				0.85				0.65				0.42				0.96				0.86				0.65				0.42				
LRA	107	Std orifice		43	16.2				16.5				16.9				17.5				17.3				17.7				18.1				18.7				18.3				18.7				19.2				19.8				19.3				19.7				20.2				20.9				20.2				20.6				21.2				21.9				
Cap MFD/V	40 / 440	Low Fire Orifice		46	167				179				190				198				190				204				216				225				216				233				246				256				243				262				276				288				269				289				305				318				
CC Heater		Pilot Orifice		0.018	67				71				78				83				70				74				81				86				73				78				85				91				77				82				89				95				79				85				92				98				
Start Kit	NAMA001SC	Temp Rise		30 - 60	39.9				40.8				43.6				46.6				39.0				39.8				42.5				45.5				38.0				38.8				41.5				44.4				36.1				36.9				39.4				42.1				33.5				34.2				36.5				39.0				
Cond & Evap	Cond	Evap	Ignition Type		HSP	0.95				0.89				0.73				0.54				0.98				0.92				0.75				0.56				1.00				0.95				0.77				0.58				1.00				0.98				0.80				0.60				1.00				0.99				0.81				0.60			
Type	Fan	Blower	Fan On/Off		TIME	16.3				16.6				17.1				17.6				17.4				17.8				18.3				18.9				18.4				18.8				19.3				19.9				19.4				19.8				20.4				21.0				20.4				20.8				21.4				22.1			
Size	22	DD10-9	Limit Set Max		135	168				181				191				200				192				206				218				227				218				235				248				259				246				264				279				291				271				292				308				322			
Motor-HP	1/2	1/2	Heat Antic		0.58	68				72				79				84				70				75				82				87				74				79				86				92				78				83				90				96				80				85				93				99			
Type	PSC	PSC				40.6				41.4				43.4				46.3				39.6				40.4				42.3				45.2				38.7				39.4				41.3				44.1				36.7				37.5				39.2				41.9				34.0				34.7				36.3				38.8			
FLA	1.8	4.4				1.00				0.96				0.87				0.71				1.00				0.99				0.89				0.72				1.00				1.00				0.92				0.75				1.00				1.00				0.96				0.78				1.00				1.00				0.96				0.78			
LRA	6	8.6				16.4				16.7				17.2				17.7				17.6				17.9				18.4				19.0				18.6				19.0				19.5				20.1				19.6				20.0				20.5				21.2				20.5				21.0				21.6				22.3			
RPM	1145	1125				170				183				193				202				194				208				229				229				220				237				250				261				248				267				282				294				274				295				311				325			
Cap MFD/V	7.5/440	15/370				69				73				80				85				71				76				83				88				75				80				87				93				78				83				91				97				81				86				94				100			
PTCR						Air Delivery in CFM - Dry Coil - No Filter (Add .05 static for Wet Coil)																																																																															
Hi Press						230 Volt				External Static Press (Inch Water Column)				208 Volt				External Static Press (Inch Water Column)																																																																			
Low Press						Speed Tap				0.1				0.2				0.3				0.4				0.5				0.6				0.7				Speed Tap				0.1				0.2				0.3				0.4				0.5				0.6				0.7																			
Operating Chg (No Lines)*	(R-22 Oz)	180				HI				1925				1860				1795				1725				1650				1570				1485				HI				1805				1755				1700				1640				1575				1500				1415																			
Service Driers						MD HI				1785				1735				1680				1620				1560				1485				1405				MD HI				1610				1580				1540				1495				1440				1375				1300																			
Liquid/Chg	16 Cu In / 11 oz					MD LO				1570				1540				1505				1465				1415				1380				1280				MD LO				1385				1355				1330				1300				1265				1215				1155																			
Suction	30 Sq In					LO				1485				1460				1430				1395				1345				1290				1225				LO				1270				1265				1250				1225				1190				1140				1085																			
Unit Weight	580																					1082485																																																															

Style No:		PGAD42E1KB / PGME42G115B				Outdoor Ambient Temperature - Degrees F. Dry Bulb																																																																															
		Gas Type		NAT	IDB	75				85				95				105				115																																																															
		Std Input		115		Entering Indoor Temperature - Degrees F. Wet Bulb				59				63				67				71																																																															
Voltage	208 / 230	Gas Type		NAT	IDB	59				63				67				71				59				63				67				71				59				63				67				71																																			
Phase	1	Std Input		115		38.6				40.0				42.8				-				36.7				38.1				41.7				-				34.9				36.2				39.6				-				32.3				33.5				36.7				-																			
Ampacity	31	Low Fire Input		95	0.76				0.64				0.44				-				0.78				0.65				0.45				-				0.81				0.68				0.47				-				0.84				0.70				0.49				-				0.85				0.71				0.49				-				
Wire Ga/Ft	8 / 72	Std Output		90	16.1				16.4				16.8				-				17.2				17.5				18.0				-				18.2				18.5				19.0				-				19.1				19.5				20.1				-				20.1				20.5				21.1				-				
Delay Fuse	40	Low Fire Output		75	165				178				188				-				188				202				213				-				214				230				243				-				241				259				273				-				266				286				302				-				
Max. Fuse	50	Gas Valve (HSP)		HW	66				71				77				-				69				73				80				-				73				77				84				-				76				81				88				-				79				84				91				-				
Compressor	COPELAND	Regulation		SNAP	39.2				40.4				43.7				46.9				38.3				39.4				42.7				45.8				37.4				38.5				41.6				44.7				35.5				36.5				39.5				42.4				32.9				33.8				36.6				39.3				
RLA	19.9	Manifold Press		3.5	0.87				0.78				0.59				0.38				0.89				0.80				0.60				0.39				0.92				0.82				0.62				0.40				0.95				0.85				0.65				0.42				0.96				0.86				0.65				0.42				
LRA	107	Std orifice		43	16.2				16.5				16.9				17.5				17.3				17.7				18.1				18.7				18.3				18.7				19.2				19.8				19.3				19.7				20.2				20.9				20.2				20.6				21.2				21.9				
Cap MFD/V	40 / 440	Low Fire Orifice		46	167				179				190				198				190				204				216				225				216				233				246				256				243				262				276				288				269				289				305				318				
CC Heater		Pilot Orifice		0.018	67				71				78				83				70				74				81				86				73				78				85				91				77				82				89				95				79				85				92				98				
Start Kit	NAMA001SC	Temp Rise		35 - 65	39.9				40.8				43.6				46.6				39.0				39.8				42.5				45.5				38.0				38.8				41.5				44.4				36.1				36.9				39.4				42.1				33.5				34.2				36.5				39.0				
Cond & Evap	Cond	Evap	Ignition Type		HSP	0.95				0.89				0.73				0.54				0.98				0.92				0.75				0.56				1.00				0.95				0.77				0.58				1.00				0.98				0.80				0.60				1.00				0.99				0.81				0.60			
Type	Fan	Blower	Fan On/Off		TIME	16.3				16.6				17.1				17.6				17.4				17.8				18.3				18.9				18.4				18.8				19.3				19.9				19.4				19.8				20.4				21.0				20.4				20.8				21.4				22.1			
Size	22	DD10-9	Limit Set Max		140	168				181				191				200				192				206				218				227				218				235				248				259				246				264				279				291				271				292				308				322			
Motor-HP	1/2	1/2	Heat Antic		0.58	68				72				79																																																																							

Technical Labels

Style No:	PGAD47D1KB / PGME48G090B			Outdoor Ambient Temperature - Degrees F. Dry Bulb																					
				75				85				95				105				115					
				Entering Indoor Temperature - Degrees F. Wet Bulb																					
Voltage	208 / 230	Gas Type	NAT	IDB	75	63	67	71	59	63	67	71	59	63	67	71	59	63	67	71	59	63	67	71	
																									Phase
Ampacity	35.8	Low Fire Input	75	70	ST	0.77	0.65	0.45	-	0.79	0.66	0.46	-	0.82	0.68	0.47	-	0.85	0.71	0.49	-	0.86	0.72	0.50	-
Wire Ga/Ft	8 / 61	Std Output	71	70	AMPS	17.9	18.3	18.8	-	19.2	19.6	20.1	-	20.3	20.7	21.3	-	21.4	21.8	22.5	-	22.5	22.9	23.6	-
Delay Fuse	45	Low Fire Output	60	70	HI PR	178	192	203	-	203	218	231	-	231	249	263	-	260	280	295	-	287	309	326	-
Max. Fuse	50	Gas Valve (HSP)	HW	70	LO PR	65	69	75	-	67	72	78	-	71	75	82	-	74	79	86	-	77	82	89	-
Compressor	COPELAND	Regulation	SNAP	75	MBh	45.4	46.7	50.6	54.3	44.3	45.6	49.3	53.0	43.2	44.5	48.1	51.7	41.0	42.3	45.7	49.1	38.0	39.1	42.4	45.5
RLA	23.7	Manifold Press	3.5	75	ST	0.88	0.79	0.60	0.38	0.90	0.81	0.61	0.39	0.93	0.83	0.63	0.41	0.97	0.86	0.65	0.42	0.98	0.87	0.66	0.42
LRA	129	Std orifice	43	75	AMPS	18.1	18.4	18.9	19.5	19.3	19.7	20.3	20.9	20.5	20.9	21.5	22.1	21.6	22.0	22.6	23.4	22.6	23.1	23.8	24.6
Cap MFD/V	60 / 440	Low Fire Orifice	46	75	HI PR	180	194	205	214	205	221	233	243	233	251	265	277	263	283	298	311	290	312	330	344
CC Heater		Pilot Orifice	0.018	75	LO PR	66	70	76	81	68	73	79	84	72	76	83	89	75	80	87	93	78	83	90	96
Start Kit	NAMA001SC	Temp Rise	30 - 60	80	MBh	46.2	47.2	50.4	53.9	45.1	46.1	49.2	52.6	44.0	44.9	48.0	51.3	41.8	42.7	45.6	48.7	38.7	39.5	42.2	45.2
Cond & Evap	Cond	Evap	HSP	80	ST	0.97	0.91	0.74	0.55	0.99	0.93	0.76	0.56	1.00	0.96	0.78	0.58	1.00	0.99	0.81	0.61	1.00	1.00	0.82	0.61
Type	Fan	Blower	TIME	80	AMPS	18.2	18.6	19.1	19.7	19.5	19.9	20.4	21.1	20.6	21.0	21.6	22.3	21.7	22.2	22.8	23.6	22.8	23.3	24.0	24.8
Size	22	DD10-9	135	80	HI PR	182	196	207	216	207	223	235	245	236	254	268	280	265	286	302	314	293	315	333	347
Motor-HP	1/2	1/2	0.58	80	LO PR	66	70	77	82	69	73	80	85	72	77	84	89	76	81	88	94	78	83	91	97
Type	PSC	PSC		85	MBh	47.0	47.9	50.1	53.5	45.9	46.7	49.0	52.2	44.7	45.6	47.8	51.0	42.5	43.3	45.4	48.4	39.4	40.1	42.0	44.8
FLA	1.8	4.4		85	ST	1.00	0.98	0.88	0.72	1.00	1.00	0.90	0.73	1.00	1.00	0.93	0.76	1.00	1.00	0.97	0.79	1.00	1.00	0.98	0.79
LRA	6	8.6		85	AMPS	18.3	18.7	19.2	19.8	19.6	20.0	20.6	21.3	20.8	21.2	21.8	22.5	21.9	22.4	23.0	23.8	23.0	23.5	24.2	25.0
RPM	1145	1125		85	HI PR	184	198	209	218	209	225	238	248	238	256	271	282	268	288	305	318	296	319	336	351
Cap MFD/V	7.5/440	15/370		85	LO PR	67	71	78	83	70	74	81	86	73	78	85	90	77	81	89	95	79	84	92	98
PTCR				Air Delivery in CFM - Dry Coil - No Filter (Add .05 static for Wet Coil)																					
Hi Press				230 Volt External Static Press (Inch Water Column) 208 Volt External Static Press (Inch Water Column)																					
Low Press				Speed Tap 0.1 0.2 0.3 0.4 0.5 0.6 0.7 Speed Tap 0.1 0.2 0.3 0.4 0.5 0.6 0.7																					
Operating Chg (No Lines)*	(R-22 Oz)	215		HI 1925 1860 1795 1725 1650 1570 1485 HI 1805 1755 1700 1640 1575 1500 1415																					
Service Driers				MD HI 1785 1735 1680 1620 1560 1485 1405 MD HI 1610 1580 1540 1495 1440 1375 1300																					
Liquid/Chg	30 Cu In / 17 oz			MD LO 1570 1540 1505 1465 1415 1380 1280 MD LO 1385 1355 1330 1300 1265 1215 1155																					
Suction	30 Sq In			LO 1485 1460 1430 1395 1345 1290 1225 LO 1270 1265 1250 1225 1190 1140 1085																					
Unit Weight	600			1082487																					

Style No:	PGAD47F1KB / PGME48G135B			Outdoor Ambient Temperature - Degrees F. Dry Bulb																					
				75				85				95				105				115					
				Entering Indoor Temperature - Degrees F. Wet Bulb																					
Voltage	208 / 230	Gas Type	NAT	IDB	75	63	67	71	59	63	67	71	59	63	67	71	59	63	67	71	59	63	67	71	
																									Phase
Ampacity	36	Low Fire Input	110	70	ST	0.77	0.65	0.45	-	0.79	0.66	0.46	-	0.82	0.68	0.47	-	0.85	0.71	0.49	-	0.86	0.72	0.50	-
Wire Ga/Ft	8 / 61	Std Output	106	70	AMPS	17.9	18.3	18.8	-	19.2	19.6	20.1	-	20.3	20.7	21.3	-	21.4	21.8	22.5	-	22.5	22.9	23.6	-
Delay Fuse	45	Low Fire Output	87	70	HI PR	178	192	203	-	203	218	231	-	231	249	263	-	260	280	295	-	287	309	326	-
Max. Fuse	50	Gas Valve (HSP)	HW	70	LO PR	65	69	75	-	67	72	78	-	71	75	82	-	74	79	86	-	77	82	89	-
Compressor	COPELAND	Regulation	SNAP	75	MBh	45.4	46.7	50.6	54.3	44.3	45.6	49.3	53.0	43.2	44.5	48.1	51.7	41.0	42.3	45.7	49.1	38.0	39.1	42.4	45.5
RLA	23.7	Manifold Press	3.5	75	ST	0.88	0.79	0.60	0.38	0.90	0.81	0.61	0.39	0.93	0.83	0.63	0.41	0.97	0.86	0.65	0.42	0.98	0.87	0.66	0.42
LRA	129	Std orifice	43	75	AMPS	18.1	18.4	18.9	19.5	19.3	19.7	20.3	20.9	20.5	20.9	21.5	22.1	21.6	22.0	22.6	23.4	22.6	23.1	23.8	24.6
Cap MFD/V	60 / 440	Low Fire Orifice	46	75	HI PR	180	194	205	214	205	221	233	243	233	251	265	277	263	283	298	311	290	312	330	344
CC Heater		Pilot Orifice	0.018	75	LO PR	66	70	76	81	68	73	79	84	72	76	83	89	75	80	87	93	78	83	90	96
Start Kit	NAMA001SC	Temp Rise	35 - 65	80	MBh	46.2	47.2	50.4	53.9	45.1	46.1	49.2	52.6	44.0	44.9	48.0	51.3	41.8	42.7	45.6	48.7	38.7	39.5	42.2	45.2
Cond & Evap	Cond	Evap	HSP	80	ST	0.97	0.91	0.74	0.55	0.99	0.93	0.76	0.56	1.00	0.96	0.78	0.58	1.00	0.99	0.81	0.61	1.00	1.00	0.82	0.61
Type	Fan	Blower	TIME	80	AMPS	18.2	18.6	19.1	19.7	19.5	19.9	20.4	21.1	20.6	21.0	21.6	22.3	21.7	22.2	22.8	23.6	22.8	23.3	24.0	24.8
Size	22	DD11-11	135	80	HI PR	182	196	207	216	207	223	235	245	236	254	268	280	265	286	302	314	293	315	333	347
Motor-HP	1/2	1	0.58	80	LO PR	66	70	77	82	69	73	80	85	72	77	84	89	76	81	88	94	78	83	91	97
Type	PSC	PSC		85	MBh	47.0	47.9	50.1	53.5	45.9	46.7	49.0	52.2	44.7	45.6	47.8	51.0	42.5	43.3	45.4	48.4	39.4	40.1	42.0	44.8
FLA	1.8	4.6		85	ST	1.00	0.98	0.88	0.72	1.00	1.00	0.90	0.73	1.00	1.00	0.93	0.76	1.00	1.00	0.97	0.79	1.00	1.00	0.98	0.79
LRA	6	7.9		85	AMPS	18.3	18.7	19.2	19.8	19.6	20.0	20.6	21.3	20.8	21.2	21.8	22.5	21.9	22.4	23.0	23.8	23.0	23.5	24.2	25.0
RPM	1145	1125		85	HI PR	184	198	209	218	209	225	238	248	238	256	271	282	268	288	305	318	296	319	336	351
Cap MFD/V	7.5/440	15/370		85	LO PR	67	71	78	83	70	74	81	86	73	78	85	90	77	81	89	95	79	84	92	98
PTCR				Air Delivery in CFM - Dry Coil - No Filter (Add .05 static for Wet Coil)																					
Hi Press				230 Volt External Static Press (Inch Water Column) 208 Volt External Static Press (Inch Water Column)																					
Low Press				Speed Tap 0.1 0.2 0.3 0.4 0.5 0.6 0.7 Speed Tap 0.1 0.2 0.3 0.4 0.5 0.6 0.7																					
Operating Chg (No Lines)*	(R-22 Oz)	215		HI 2260 2185 2125 2065 2010 1950 1875 HI 2025 1995 1960 1915 1870 1810 1745																					
Service Driers				MD HI 1830 1805 1775 1735 1690 1635 1580 MD HI 1560 1545 1530 1505 1475 1435 1390																					
Liquid/Chg	30 Cu In / 17 oz			MD LO - - - - - MD LO - - - - -																					
Suction	30 Sq In			LO 1700 1685 1660 1625 1585 1540 1485 LO 1445 1430 1415 1390 1355 1320 1275																					
Unit Weight	610			1082488																					

Technical Labels

Style No:		PGAD60E1KB / PGME60G115B				Outdoor Ambient Temperature - Degrees F. Dry Bulb																			
		Gas Type		NAT		75				85				95				105				115			
		Std Input		115		Entering Indoor Temperature - Degrees F. Wet Bulb																			
		Low Fire Input		95		59				63				67				71							
Voltage	208 / 230	Gas Type		NAT		59				63				67				71							
Phase	1	Std Input		115		59				63				67				71							
Ampacity	42.9	Low Fire Input		95		59				63				67				71							
Wire Ga/Ft	6 / 76	Std Output		119		59				63				67				71							
Delay Fuse	60	Low Fire Output		102		59				63				67				71							
Max. Fuse	70	Gas Valve (HSP)		HW		59				63				67				71							
Compressor	COPELAND	Regulation		SNAP		59				63				67				71							
RLA	28.8	Manifold Press		3.5		59				63				67				71							
LRA	169	Std orifice		43		59				63				67				71							
Cap MFD/V	80 / 440	Low Fire Orifice		46		59				63				67				71							
CC Heater		Pilot Orifice		0.018		59				63				67				71							
Start Kit	NAMA001SC	Temp Rise		30 - 60		59				63				67				71							
Cond & Evap	Cond	Evap	Ignition Type		HSP		59				63				67				71						
Type	Fan	Blower	Fan On/Off		TIME		59				63				67				71						
Size	22	DD11-11	Limit Set Max		135		59				63				67				71						
Motor-HP	1/2	1	Heat Antic		0.58		59				63				67				71						
Type	PSC	PSC					59				63				67				71						
FLA	1.8	5					59				63				67				71						
LRA	6	8.6					59				63				67				71						
RPM	1145	1140					59				63				67				71						
Cap MFD/V	7.5/440	20/370					59				63				67				71						
PTCR							59				63				67				71						
Hi Press							59				63				67				71						
Low Press							59				63				67				71						
Operating Chg (No Lines)*	(R-22 Oz)	215					59				63				67				71						
Service Driers							59				63				67				71						
Liquid/Chg Suction	30 Cu In / 17 oz	30 Sq In					59				63				67				71						
Unit Weight	625						59				63				67				71						
						Air Delivery in CFM - Dry Coil - No Filter (Add .05 static for Wet Coil)																			
						230 Volt				208 Volt				208 Volt				208 Volt							
						External Static Press (Inch Water Column)				External Static Press (Inch Water Column)				External Static Press (Inch Water Column)				External Static Press (Inch Water Column)							
						Speed Tap				Speed Tap				Speed Tap				Speed Tap							
						0.1 0.2 0.3 0.4 0.5 0.6 0.7				0.1 0.2 0.3 0.4 0.5 0.6 0.7				0.1 0.2 0.3 0.4 0.5 0.6 0.7				0.1 0.2 0.3 0.4 0.5 0.6 0.7							
						HI				HI				HI				HI							
						2300 2250 2190 2125 2060 1990 1915				2110 2065 2020 1975 1925 1860 1790				2110 2065 2020 1975 1925 1860 1790				2110 2065 2020 1975 1925 1860 1790							
						MD HI				MD HI				MD HI				MD HI							
						2130 2090 2045 1995 1875 1805 1580				1880 1855 1825 1790 1750 1695 1635				1880 1855 1825 1790 1750 1695 1635				1880 1855 1825 1790 1750 1695 1635							
						MD LO				MD LO				MD LO				MD LO							
						1670 1650 1630 1600 1565 1525 1475				1405 1390 1375 1355 1330 1295 1250				1405 1390 1375 1355 1330 1295 1250				1405 1390 1375 1355 1330 1295 1250							
						LO				LO				LO				LO							
						1330 1315 1300 1280 1255 1225 1185				1110 1100 1080 1060 1035 1000 950				1110 1100 1080 1060 1035 1000 950				1110 1100 1080 1060 1035 1000 950							

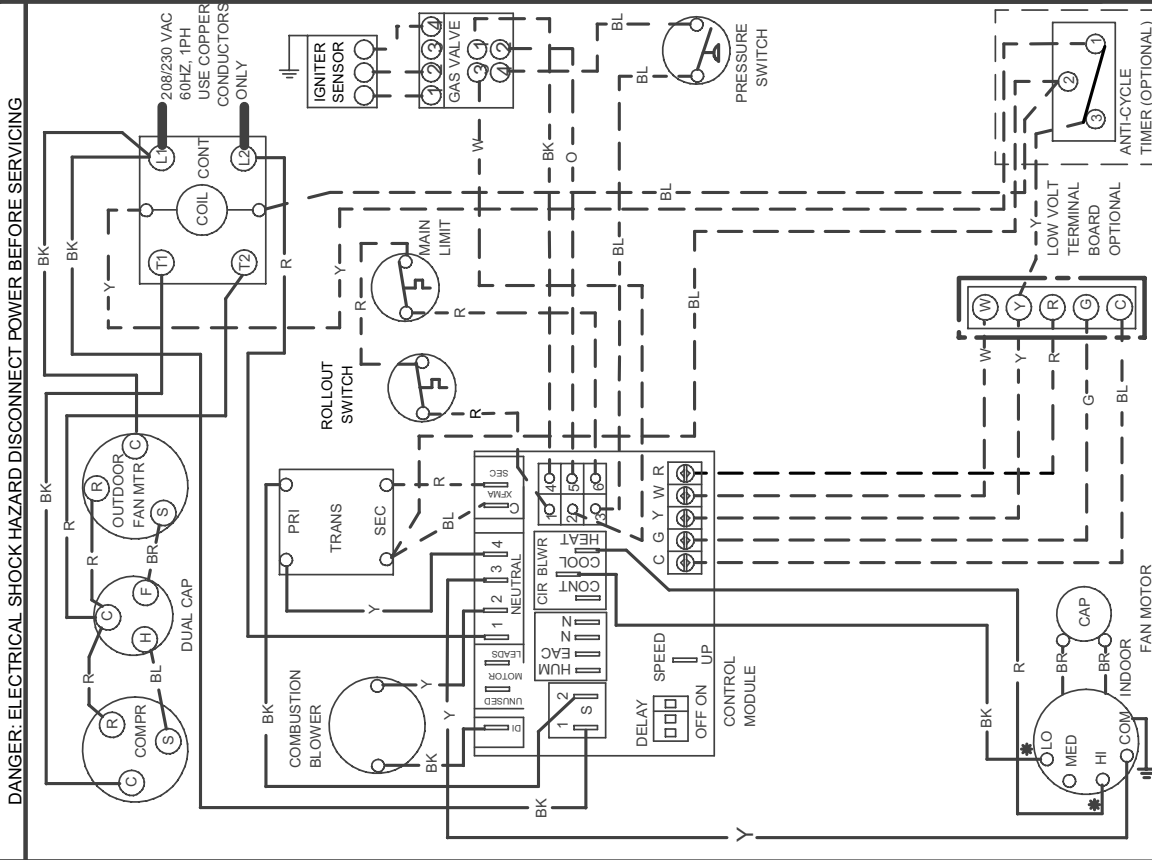
1082489

Style No:		PGAD60G1KB / PGME60G150B				Outdoor Ambient Temperature - Degrees F. Dry Bulb																			
		Gas Type		NAT		75				85				95				105				115			
		Std Input		150		Entering Indoor Temperature - Degrees F. Wet Bulb																			
		Low Fire Input		130		59				63				67				71							
Voltage	208 / 230	Gas Type		NAT		59				63				67				71							
Phase	1	Std Input		150		59				63				67				71							
Ampacity	43.9	Low Fire Input		130		59				63				67				71							
Wire Ga/Ft	6 / 76	Std Output		119		59				63				67				71							
Delay Fuse	60	Low Fire Output		102		59				63				67				71							
Max. Fuse	70	Gas Valve (HSP)		HW		59				63				67				71							
Compressor	COPELAND	Regulation		SNAP		59				63				67				71							
RLA	28.8	Manifold Press		3.5		59				63				67				71							
LRA	169	Std orifice		43		59				63				67				71							
Cap MFD/V	80 / 440	Low Fire Orifice		46		59				63				67				71							
CC Heater		Pilot Orifice		0.018		59				63				67				71							
Start Kit	NAMA001SC	Temp Rise		35 - 65		59				63				67				71							
Cond & Evap	Cond	Evap	Ignition Type		HSP		59				63				67				71						
Type	Fan	Blower	Fan On/Off		TIME		59				63				67				71						
Size	22	DD11-11	Limit Set Max		130		59				63				67				71						
Motor-HP	1/2	1	Heat Antic		0.58		59				63				67				71						
Type	PSC	PSC					59				63				67				71						
FLA	1.8	6					59				63				67				71						
LRA	6	15.1					59				63				67				71						
RPM	1145	1140					59				63				67				71						
Cap MFD/V	7.5/440	20/370					59				63				67				71						
PTCR							59				63				67				71						
Hi Press							59				63				67				71						
Low Press							59				63				67				71						
Operating Chg (No Lines)*	(R-22 Oz)	215					59				63				67				71						
Service Driers							59				63				67				71						
Liquid/Chg Suction	30 Cu In / 17 oz	30 Sq In					59				63				67				71						
Unit Weight	630						59				63				67				71						
						Air Delivery in CFM - Dry Coil - No Filter (Add .05 static for Wet Coil)																			
						230 Volt				208 Volt				208 Volt				208 Volt							
						External Static Press (Inch Water Column)				External Static Press (Inch Water Column)				External Static Press (Inch Water Column)				External Static Press (Inch Water Column)							
						Speed Tap				Speed Tap				Speed Tap				Speed Tap							
						0.1 0.2 0.3 0.4 0.5 0.6 0.7				0.1 0.2 0.3 0.4 0.5 0.6 0.7				0.1 0.2 0.3 0.4 0.5 0.6 0.7				0.1 0.2 0.3 0.4 0.5 0.6 0.7							
						HI				HI				HI				HI							
						2470 2400 2325 2250 2170 2085 2000				2380 2315 2250 2185 2105 2020 1940				2380 2315 2250 2185 2105 2020 1940				2380 2315 2250 2185 2105 2020 1940							
						MD HI				MD HI				MD HI				MD HI							
						2395 2335 2270 2200 2125 2050 1965				2310 2250 2185 2125 2060 1980 1905				2310 2250 2185 2125 2060 1980 1905				2310 2250 2185 2125 2060 1980 1905							
						MD LO				MD LO				MD LO				MD LO							
						2260 2205 2145 2080 2015 1940 1865				2090 2045 1995 1945 1890 1820 1750				2090 2045 1995 1945 1890 1820 1750				2090 2045 1995 1945 1890 1820 1750							
						LO				LO				LO				LO							
						2140 2095 2040 1985 1920 1855 1780				1915 1885 1845 1805 1755 1700 1640				1915 1885 1845 1805 1755 1700 1640				1915 1885 1845 1805 1755 1700 1640							

1082490

WIRING DIAGRAM - ALL MODELS

CONNECTION WIRING DIAGRAM

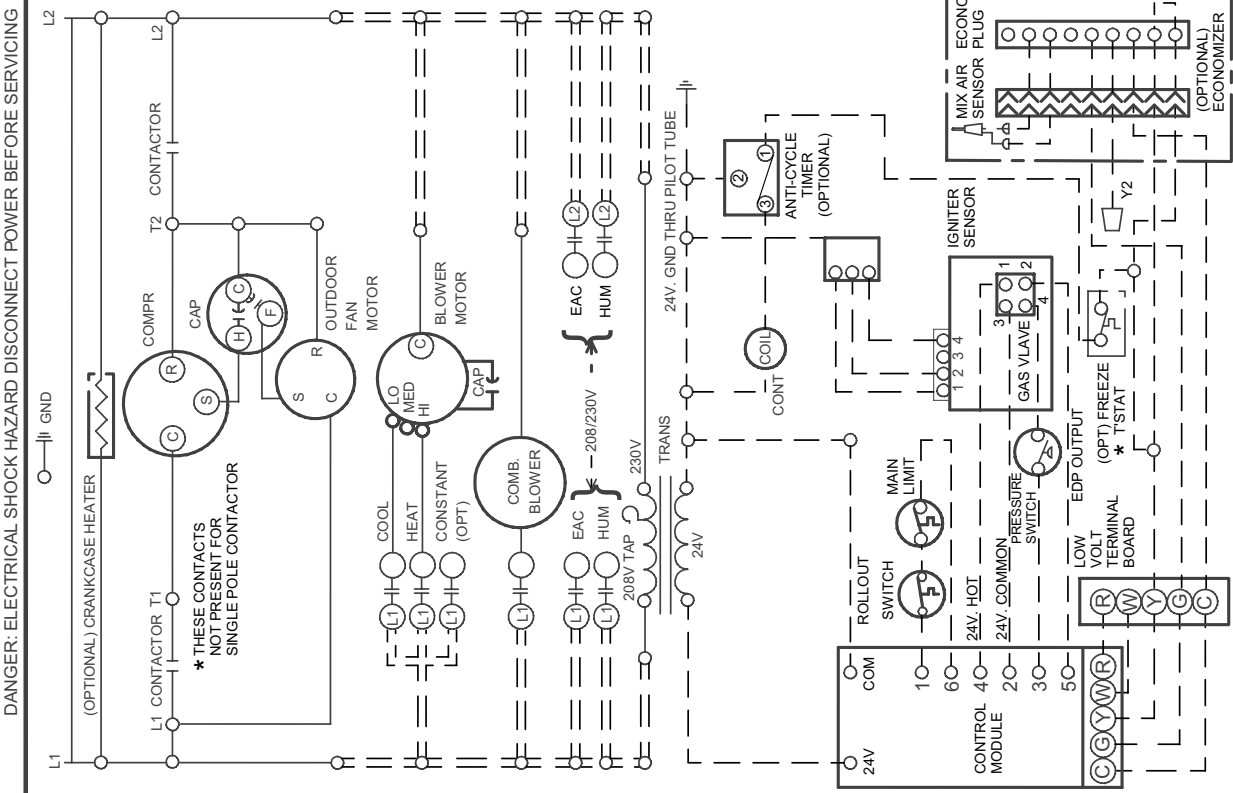


IF ANY OF THE ORIGINAL WIRE AS SUPPLIED WITH THE APPLIANCE MUST BE REPLACED, IT MUST BE REPLACED WITH TYPE AWG-105°C OR ITS EQUIVALENT.

SEE INSTALLATION INSTRUCTIONS FOR PROPER HEATING AND COOLING CONNECTIONS FOR YOUR UNIT

LINE VOLTAGE FACTORY	BLACK	BK	GREEN	G	WHITE	W
LINE VOLTAGE FIELD	BLUE	BL	ORANGE	O	YELLOW	Y
LOW VOLTAGE FACTORY	BROWN	BR	RED	R	VIOLET	V
LOW VOLTAGE FIELD	GRAY	GY				
INTERNAL CIR BRD WIRING						

LADDER WIRING DIAGRAM



*REMOVE WHEN ECONOMIZER IS USED