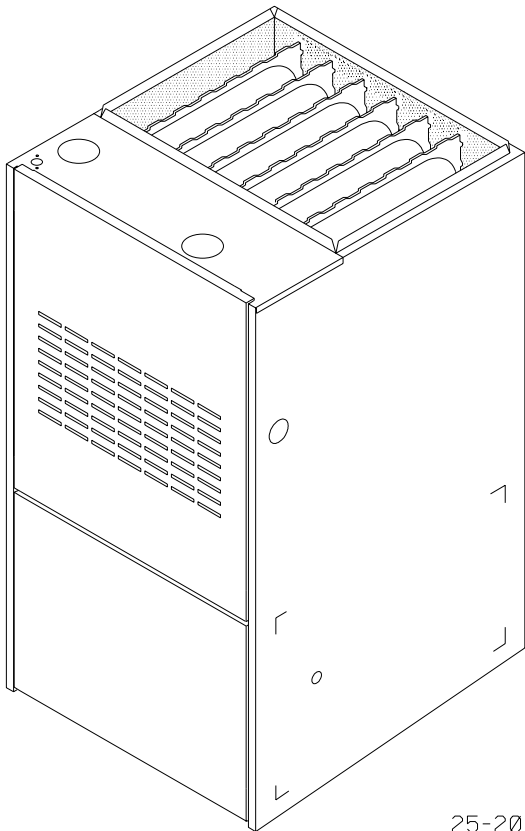


Technical Support Manual



25-20-66

Models

NTPM050FFA1
NTPM075GFA1
NTPM100HJA1
NTPM125KNA1

NCPM050FFA1
NCPM075GFA1
NCPM100HJA1
NCPM125KNA1

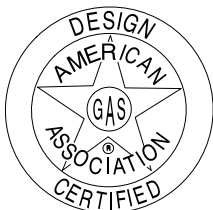
TNK050F12A1
TNK075F14A1
TNK100J16A1
TNK125N20A1

TCK050F12A1
TCK075F14A1
TCK100J16A1
TCK125N20A1

Manufactured by:

International Comfort Products Corporation (USA)
Lewisburg, TN USA 37091

Condensing Gas Furnaces



Design Certified
by A.G.A.



Save This Manual For Future Reference

THIS DATA IS SUBJECT TO CHANGE WITHOUT NOTICE

Manufacturers Number (Mfr No -See Rating Plate)							NTPM050FFA1/TNK050F12A1																																														
Specifications							Circulation Air Blower Data																																														
GENERAL	Gas Type	Nat		LP		Hi Fire	Lo Fire	Hi Fire	Lo Fire	Type & Size Motor Amps/RPM Motor Type/ H.P. Cap. MFD/Volts	10-8 4.6/1050 PSC/1/3 5/370	Filt Type Filt Size (") Min. Cool Cap. (Tons) Max. Cool Cap. (Tons)	Washable 16x25x1 1.5 3																																								
	Input (Btuh) Std/Alt. Output (Btuh) Std/Alt. Temp. Rise (°F)	50,000 46,000 40-70	35,000 32,200 30-60	50,000 46,000 40-70	35,000 32,200 30-60	Hi Fire	Lo Fire																																														
GAS & IGNITION	Electrical (Volts/Hz/FLA) Transformer Size (VA) T'stat Heat Anticipator	115/60/5.3 40 .10		115/60/5.3 40 .10						Air Delivery in Cubic Feet per Minute (C.F.M.) (Furnace Rated @0.5" WC ESP) <table border="1"> <thead> <tr> <th>TAP</th> <th>LOW</th> <th>MED L</th> <th>MED H</th> <th>HIGH</th> </tr> </thead> <tbody> <tr><td>.10</td><td>718</td><td>840</td><td>1109</td><td>1473</td></tr> <tr><td>.20</td><td>719</td><td>838</td><td>1094</td><td>1431</td></tr> <tr><td>.30</td><td>714</td><td>837</td><td>1086</td><td>1396</td></tr> <tr><td>.40</td><td>692</td><td>819</td><td>1063</td><td>1349</td></tr> <tr><td>.50</td><td>660</td><td>791</td><td>1027</td><td>1291</td></tr> <tr><td>.60</td><td>615</td><td>752</td><td>986</td><td>1222</td></tr> <tr><td>.70</td><td>563</td><td>683</td><td>934</td><td>1141</td></tr> </tbody> </table>				TAP	LOW	MED L	MED H	HIGH	.10	718	840	1109	1473	.20	719	838	1094	1431	.30	714	837	1086	1396	.40	692	819	1063	1349	.50	660	791	1027	1291	.60	615	752	986	1222	.70	563	683	934	1141
	TAP	LOW	MED L	MED H	HIGH																																																
	.10	718	840	1109	1473																																																
	.20	719	838	1094	1431																																																
.30	714	837	1086	1396																																																	
.40	692	819	1063	1349																																																	
.50	660	791	1027	1291																																																	
.60	615	752	986	1222																																																	
.70	563	683	934	1141																																																	
Gas Valve Regulation Type Manifold Press. (" WC)	HW SV9540 SNAP 3.5 1.7		HW SV9540 SNAP 10.0 4.9																																																		
Std. Main Orifices (No/Size) Pilot Orifice Size	2/#42 .018		2/#54 .011																																																		
Ignition Type/Series Lock-Out Time	HW HSP ---		HW HSP ---																																																		
COMBUSTION	Flue Outlet Size (") Std. Outlet Temp (°F) Comb. Blower (MFD/Volts)	2 <140 4/370		2 <140 4/370						Air Delivery in Liters Per Second (L/S) (Furnace Rated @0.5" WC ESP) <table border="1"> <thead> <tr> <th>TAP</th> <th>LOW</th> <th>MED L</th> <th>MED H</th> <th>HIGH</th> </tr> </thead> <tbody> <tr><td>.10</td><td>339</td><td>396</td><td>523</td><td>695</td></tr> <tr><td>.20</td><td>339</td><td>395</td><td>516</td><td>675</td></tr> <tr><td>.30</td><td>337</td><td>395</td><td>513</td><td>659</td></tr> <tr><td>.40</td><td>327</td><td>387</td><td>502</td><td>637</td></tr> <tr><td>.50</td><td>311</td><td>373</td><td>485</td><td>609</td></tr> <tr><td>.60</td><td>290</td><td>355</td><td>465</td><td>577</td></tr> <tr><td>.70</td><td>266</td><td>322</td><td>441</td><td>538</td></tr> </tbody> </table>				TAP	LOW	MED L	MED H	HIGH	.10	339	396	523	695	.20	339	395	516	675	.30	337	395	513	659	.40	327	387	502	637	.50	311	373	485	609	.60	290	355	465	577	.70	266	322	441	538
	TAP	LOW	MED L	MED H	HIGH																																																
	.10	339	396	523	695																																																
	.20	339	395	516	675																																																
.30	337	395	513	659																																																	
.40	327	387	502	637																																																	
.50	311	373	485	609																																																	
.60	290	355	465	577																																																	
.70	266	322	441	538																																																	
Std. Pressures (" of WC)	@Blower	@Transition	@Burner Box	Differential																																																	
5' No Elbows 40' +5-90° DWV Elbows	-2.30 -2.20	-1.56 -1.52	-.10 -.20	-.04 -.14	-2.2 -2.0	-1.52 -1.38																																															
LIMITS & CONTROLS	Rollout Switch Limit Control Setting (°F) Auxiliary Limit (°F)	250 160 130		250 160 130						External Static Pressure Inches of W.C.																																											
	Fan Control (Type) Fan Control (Timed -Secs)	HW ST9162A 30/60 60,100,140,180		HW ST9162A 30/60 60,100,140,180																																																	
	Std. Pressure Sw. (Part No) Press Differential (Close) Press Differential (Open)	1010895 1.62 1.38	1011778 1.08 .90	1010895 1.62 1.38	1011778 1.08 .90																																																
	High Alt. Pressure Sw. (Part No) Press Differential (Close) Press Differential (Open)	1008817 1.40 1.18	1011777 .86 .70	1008817 1.40 1.18	1011777 .86 .70																																																
	External Static Pressure Inches of W.C.																																																				
	Air Delivery in Cubic Feet per Minute (C.F.M.) (Furnace Rated @0.5" WC ESP) <table border="1"> <thead> <tr> <th>TAP</th> <th>LOW</th> <th>MED L</th> <th>MED H</th> <th>HIGH</th> </tr> </thead> <tbody> <tr><td>.10</td><td>718</td><td>840</td><td>1109</td><td>1473</td></tr> <tr><td>.20</td><td>719</td><td>838</td><td>1094</td><td>1431</td></tr> <tr><td>.30</td><td>714</td><td>837</td><td>1086</td><td>1396</td></tr> <tr><td>.40</td><td>692</td><td>819</td><td>1063</td><td>1349</td></tr> <tr><td>.50</td><td>660</td><td>791</td><td>1027</td><td>1291</td></tr> <tr><td>.60</td><td>615</td><td>752</td><td>986</td><td>1222</td></tr> <tr><td>.70</td><td>563</td><td>683</td><td>934</td><td>1141</td></tr> </tbody> </table>													TAP	LOW	MED L	MED H	HIGH	.10	718	840	1109	1473	.20	719	838	1094	1431	.30	714	837	1086	1396	.40	692	819	1063	1349	.50	660	791	1027	1291	.60	615	752	986	1222	.70	563	683	934	1141
TAP	LOW	MED L	MED H	HIGH																																																	
.10	718	840	1109	1473																																																	
.20	719	838	1094	1431																																																	
.30	714	837	1086	1396																																																	
.40	692	819	1063	1349																																																	
.50	660	791	1027	1291																																																	
.60	615	752	986	1222																																																	
.70	563	683	934	1141																																																	

THIS DATA IS SUBJECT TO CHANGE WITHOUT NOTICE

Manufacturers Number (Mfr No -See Rating Plate)							NTPM075GFA1/TNK075F14A1																																														
Specifications							Circulation Air Blower Data																																														
GENERAL	Gas Type	Nat		LP		Hi Fire	Lo Fire	Hi Fire	Lo Fire	Type & Size Motor Amps/RPM Motor Type/ H.P. Cap. MFD/Volts	10-8 6.8/1050 PSC/1/2 7.5/370	Filt Type Filt Size (") Min. Cool Cap. (Tons) Max. Cool Cap. (Tons)	Washable 16x25x1 2 3.5																																								
	Input (Btuh) Std/Alt. Output (Btuh) Std/Alt. Temp. Rise (°F)	75,000 69,000 40-70	53,000 48,800 30-60	75,000 69,000 40-70	53,000 48,800 30-60	Hi Fire	Lo Fire																																														
GAS & IGNITION	Electrical (Volts/Hz/FLA) Transformer Size (VA) T'stat Heat Anticipator	115/60/7.5 40 .10		115/60/7.5 40 .10						Air Delivery in Cubic Feet per Minute (C.F.M.) (Furnace Rated @0.5" WC ESP) <table border="1"> <thead> <tr> <th>TAP</th> <th>LOW</th> <th>MED L</th> <th>MED H</th> <th>HIGH</th> </tr> </thead> <tbody> <tr><td>.10</td><td>778</td><td>984</td><td>1263</td><td>1576</td></tr> <tr><td>.20</td><td>786</td><td>1003</td><td>1249</td><td>1532</td></tr> <tr><td>.30</td><td>790</td><td>1003</td><td>1244</td><td>1489</td></tr> <tr><td>.40</td><td>788</td><td>1001</td><td>1215</td><td>1432</td></tr> <tr><td>.50</td><td>781</td><td>982</td><td>1186</td><td>1371</td></tr> <tr><td>.60</td><td>765</td><td>962</td><td>1146</td><td>1308</td></tr> <tr><td>.70</td><td>743</td><td>923</td><td>1094</td><td>1229</td></tr> </tbody> </table>				TAP	LOW	MED L	MED H	HIGH	.10	778	984	1263	1576	.20	786	1003	1249	1532	.30	790	1003	1244	1489	.40	788	1001	1215	1432	.50	781	982	1186	1371	.60	765	962	1146	1308	.70	743	923	1094	1229
	TAP	LOW	MED L	MED H	HIGH																																																
	.10	778	984	1263	1576																																																
	.20	786	1003	1249	1532																																																
.30	790	1003	1244	1489																																																	
.40	788	1001	1215	1432																																																	
.50	781	982	1186	1371																																																	
.60	765	962	1146	1308																																																	
.70	743	923	1094	1229																																																	
Gas Valve Regulation Type Manifold Press. (" WC)	HW SV9540 SNAP 3.5 1.7		HW SV9540 SNAP 10.0 4.9																																																		
Std. Main Orifices (No/Size) Pilot Orifice Size	3/#42 .018		3/#54 .011																																																		
Ignition Type/Series Lock-Out Time	HW HSP ---		HW HSP ---																																																		
COMBUSTION	Flue Outlet Size (") Std. Outlet Temp (°F) Comb. Blower (MFD/Volts)	2,2 1/2, 3 <140 4/370		2,2 1/2, 3 <140 4/370						Air Delivery in Liters Per Second (L/S) (Furnace Rated @0.5" WC ESP) <table border="1"> <thead> <tr> <th>TAP</th> <th>LOW</th> <th>MED L</th> <th>MED H</th> <th>HIGH</th> </tr> </thead> <tbody> <tr><td>.10</td><td>367</td><td>464</td><td>596</td><td>744</td></tr> <tr><td>.20</td><td>371</td><td>473</td><td>589</td><td>723</td></tr> <tr><td>.30</td><td>373</td><td>473</td><td>587</td><td>703</td></tr> <tr><td>.40</td><td>372</td><td>472</td><td>573</td><td>676</td></tr> <tr><td>.50</td><td>369</td><td>463</td><td>560</td><td>647</td></tr> <tr><td>.60</td><td>361</td><td>454</td><td>541</td><td>617</td></tr> <tr><td>.70</td><td>351</td><td>436</td><td>516</td><td>580</td></tr> </tbody> </table>				TAP	LOW	MED L	MED H	HIGH	.10	367	464	596	744	.20	371	473	589	723	.30	373	473	587	703	.40	372	472	573	676	.50	369	463	560	647	.60	361	454	541	617	.70	351	436	516	580
	TAP	LOW	MED L	MED H	HIGH																																																
	.10	367	464	596	744																																																
	.20	371	473	589	723																																																
.30	373	473	587	703																																																	
.40	372	472	573	676																																																	
.50	369	463	560	647																																																	
.60	361	454	541	617																																																	
.70	351	436	516	580																																																	
Std. Pressures (" of WC)	@Blower	@Transition	@Burner Box	Differential																																																	
5' No Elbows 40' +5-90° DWV Elbows	-2.30 -2.05	-.98 -.95	-.10 -.15	-.08 -.15	-2.2 -1.9	-.90 -.80																																															
LIMITS & CONTROLS	Rollout Switch Limit Control Setting (°F) Auxiliary Limit (°F)	200 190 130		200 190 130						External Static Pressure Inches of W.C.																																											
	Fan Control (Type) Fan Control (Timed -Secs)	HW ST9162A 30/60 60,100,140,180		HW ST9162A 30/60 60,100,140,180																																																	
	Std. Pressure Sw. (Part No) Press Differential (Close) Press Differential (Open)	1010895 1.62 1.38	1011776 .65 .50	1010895 1.62 1.38	1011776 .65 .50																																																
	High Alt. Pressure Sw. (Part No) Press Differential (Close) Press Differential (Open)	1008817 1.40 1.18	1010943 .52 .37	1008817 1.40 1.18	1010943 .52 .37																																																
	External Static Pressure Inches of W.C.																																																				
	Air Delivery in Cubic Feet per Minute (C.F.M.) (Furnace Rated @0.5" WC ESP) <table border="1"> <thead> <tr> <th>TAP</th> <th>LOW</th> <th>MED L</th> <th>MED H</th> <th>HIGH</th> </tr> </thead> <tbody> <tr><td>.10</td><td>778</td><td>984</td><td>1263</td><td>1576</td></tr> <tr><td>.20</td><td>786</td><td>1003</td><td>1249</td><td>1532</td></tr> <tr><td>.30</td><td>790</td><td>1003</td><td>1244</td><td>1489</td></tr> <tr><td>.40</td><td>788</td><td>1001</td><td>1215</td><td>1432</td></tr> <tr><td>.50</td><td>781</td><td>982</td><td>1186</td><td>1371</td></tr> <tr><td>.60</td><td>765</td><td>962</td><td>1146</td><td>1308</td></tr> <tr><td>.70</td><td>743</td><td>923</td><td>1094</td><td>1229</td></tr> </tbody> </table>													TAP	LOW	MED L	MED H	HIGH	.10	778	984	1263	1576	.20	786	1003	1249	1532	.30	790	1003	1244	1489	.40	788	1001	1215	1432	.50	781	982	1186	1371	.60	765	962	1146	1308	.70	743	923	1094	1229
TAP	LOW	MED L	MED H	HIGH																																																	
.10	778	984	1263	1576																																																	
.20	786	1003	1249	1532																																																	
.30	790	1003	1244	1489																																																	
.40	788	1001	1215	1432																																																	
.50	781	982	1186	1371																																																	
.60	765	962	1146	1308																																																	
.70	743	923	1094	1229																																																	

THIS DATA IS SUBJECT TO CHANGE WITHOUT NOTICE

Manufacturers Number (Mfr No -See Rating Plate)							NTPM100HJA1/TNK100J16A1																																														
Specifications							Circulation Air Blower Data																																														
GENERAL	Gas Type	Nat		LP		Hi Fire	Lo Fire	Hi Fire	Lo Fire	Type & Size Motor Amps/RPM Motor Type/ H.P. Cap. MFD/Volts	10-10 8.5/1050 DC/1 10/370	Filt Type Filt Size (") Min. Cool Cap. (Tons) Max. Cool Cap. (Tons)	Washable 16x25x1 2 4																																								
	Input (Btuh) Std/Alt. Output (Btuh) Std/Alt. Temp. Rise (°F)	100,000 92,000 40-70	70,000 64,400 30-60	100,000 92,000 40-70	87,500 80,500 45-75	87,500 80,500 45-75																																															
GAS & IGNITION	Electrical (Volts/Hz/FLA) Transformer Size (VA) T'stat Heat Anticipator	115/60/9.2 40 .10		115/60/9.2 40 .10						Air Delivery in Cubic Feet per Minute (C.F.M.) (Furnace Rated @0.5" WC ESP) <table border="1"> <thead> <tr> <th>TAP</th> <th>LOW</th> <th>MED L</th> <th>MED H</th> <th>HIGH</th> </tr> </thead> <tbody> <tr><td>.10</td><td>954</td><td>1312</td><td>1698</td><td>1925</td></tr> <tr><td>.20</td><td>950</td><td>1292</td><td>1645</td><td>1853</td></tr> <tr><td>.30</td><td>946</td><td>1265</td><td>1596</td><td>1780</td></tr> <tr><td>.40</td><td>915</td><td>1231</td><td>1530</td><td>1708</td></tr> <tr><td>.50</td><td>878</td><td>1175</td><td>1455</td><td>1638</td></tr> <tr><td>.60</td><td>830</td><td>1118</td><td>1362</td><td>1546</td></tr> <tr><td>.70</td><td>778</td><td>1020</td><td>1241</td><td>1435</td></tr> </tbody> </table>				TAP	LOW	MED L	MED H	HIGH	.10	954	1312	1698	1925	.20	950	1292	1645	1853	.30	946	1265	1596	1780	.40	915	1231	1530	1708	.50	878	1175	1455	1638	.60	830	1118	1362	1546	.70	778	1020	1241	1435
	TAP	LOW	MED L	MED H	HIGH																																																
	.10	954	1312	1698	1925																																																
	.20	950	1292	1645	1853																																																
.30	946	1265	1596	1780																																																	
.40	915	1231	1530	1708																																																	
.50	878	1175	1455	1638																																																	
.60	830	1118	1362	1546																																																	
.70	778	1020	1241	1435																																																	
Gas Valve Regulation Type Manifold Press. (" WC)	HW SV9540 SNAP 3.5 1.7		HW SV9540 SNAP 10.0 4.9																																																		
Std. Main Orifices (No/Size) Pilot Orifice Size	4/#42 .018		4/#54 .011																																																		
Ignition Type/Series Lock-Out Time	HW HSP ---		HW HSP ---																																																		
COMBUSTION	Flue Outlet Size (") Std. Outlet Temp (°F) Comb. Blower (MFD/Volts)	2,2 ¹ / ₂ , 3 <140 4/370		2,2 ¹ / ₂ , 3 <140 4/370																																																	
	Std. Pressures (" of WC)	@Blower @Transition		@Burner Box		Differential																																															
	5' No Elbows 40' +5-90° DWV Elbows	-2.40 -1.36 -1.98 -1.22		-.10 -.06 -2.0 -1.8		-2.3 -1.30 -1.78 -1.22																																															
LIMITS & CONTROLS	Rollout Switch Limit Control Setting (°F) Auxiliary Limit (°F)	200 180 130		200 180 130																																																	
	Fan Control (Type) Fan Control (Timed -Secs) On Off	HW ST9162A 30/60 60,100,140,180		HW ST9162A 30/60 60,100,140,180																																																	
	Std. Pressure Sw. (Part No) Press Differential (Close) Press Differential (Open)	1010895 1.62 1.38	1011777 .86 .70	1010895 1.62 1.38	1011777 .86 .70																																																
	High Alt. Pressure Sw. (Part No) Press Differential (Close) Press Differential (Open)	1008817 1.40 1.18	1011776 .65 .50	1008817 1.40 1.18	1011776 .65 .50																																																
	Air Delivery in Liters Per Second (L/S) (Furnace Rated @0.5" WC ESP) <table border="1"> <thead> <tr> <th>TAP</th> <th>LOW</th> <th>MED L</th> <th>MED H</th> <th>HIGH</th> </tr> </thead> <tbody> <tr><td>.10</td><td>450</td><td>619</td><td>801</td><td>908</td></tr> <tr><td>.20</td><td>448</td><td>610</td><td>776</td><td>874</td></tr> <tr><td>.30</td><td>446</td><td>597</td><td>753</td><td>840</td></tr> <tr><td>.40</td><td>432</td><td>581</td><td>722</td><td>806</td></tr> <tr><td>.50</td><td>414</td><td>555</td><td>687</td><td>773</td></tr> <tr><td>.60</td><td>392</td><td>528</td><td>643</td><td>730</td></tr> <tr><td>.70</td><td>367</td><td>481</td><td>586</td><td>677</td></tr> </tbody> </table>													TAP	LOW	MED L	MED H	HIGH	.10	450	619	801	908	.20	448	610	776	874	.30	446	597	753	840	.40	432	581	722	806	.50	414	555	687	773	.60	392	528	643	730	.70	367	481	586	677
	TAP	LOW	MED L	MED H	HIGH																																																
	.10	450	619	801	908																																																
.20	448	610	776	874																																																	
.30	446	597	753	840																																																	
.40	432	581	722	806																																																	
.50	414	555	687	773																																																	
.60	392	528	643	730																																																	
.70	367	481	586	677																																																	
External Static Pressure Inches of W.C.																																																					
External Static Pressure Inches of W.C.																																																					

THIS DATA IS SUBJECT TO CHANGE WITHOUT NOTICE

Manufacturers Number (Mfr No -See Rating Plate)							NTPM125KNA1/TNK125N20A1																																														
Specifications							Circulation Air Blower Data																																														
GENERAL	Gas Type	Nat		LP		Hi Fire	Lo Fire	Hi Fire	Lo Fire	Type & Size Motor Amps/RPM Motor Type/ H.P. Cap. MFD/Volts	11.8-10.6 9.8/900 DC/ ³ / ₄ 10/370	Filt Type Filt Size (") Min. Cool Cap. (Tons) Max. Cool Cap. (Tons)	Washable (2)16x25x1 3.5 5																																								
	Input (Btuh) Std/Alt. Output (Btuh) Std/Alt. Temp. Rise (°F)	125,000 119,300 45-75	87,500 80,500 45-75	125,000 119,000 45-75	87,500 80,500 45-75																																																
GAS & IGNITION	Electrical (Volts/Hz/FLA) Transformer Size (VA) T'stat Heat Anticipator	115/60/10.5 40 .10		115/60/10.5 40 .10						Air Delivery in Cubic Feet per Minute (C.F.M.) (Furnace Rated @0.5" WC ESP) <table border="1"> <thead> <tr> <th>TAP</th> <th>LOW</th> <th>MED L</th> <th>MED H</th> <th>HIGH</th> </tr> </thead> <tbody> <tr><td>.10</td><td>1463</td><td>1650</td><td>1879</td><td>2214</td></tr> <tr><td>.20</td><td>1429</td><td>1635</td><td>1859</td><td>2154</td></tr> <tr><td>.30</td><td>1417</td><td>1614</td><td>1838</td><td>2152</td></tr> <tr><td>.40</td><td>1389</td><td>1579</td><td>1806</td><td>2106</td></tr> <tr><td>.50</td><td>1364</td><td>1556</td><td>1773</td><td>2049</td></tr> <tr><td>.60</td><td>1339</td><td>1513</td><td>1725</td><td>1981</td></tr> <tr><td>.70</td><td>1299</td><td>1470</td><td>1668</td><td>1903</td></tr> </tbody> </table>				TAP	LOW	MED L	MED H	HIGH	.10	1463	1650	1879	2214	.20	1429	1635	1859	2154	.30	1417	1614	1838	2152	.40	1389	1579	1806	2106	.50	1364	1556	1773	2049	.60	1339	1513	1725	1981	.70	1299	1470	1668	1903
	TAP	LOW	MED L	MED H	HIGH																																																
	.10	1463	1650	1879	2214																																																
	.20	1429	1635	1859	2154																																																
.30	1417	1614	1838	2152																																																	
.40	1389	1579	1806	2106																																																	
.50	1364	1556	1773	2049																																																	
.60	1339	1513	1725	1981																																																	
.70	1299	1470	1668	1903																																																	
Gas Valve Regulation Type Manifold Press. (" WC)	HW SV9540 SNAP 3.5 1.7		HW SV9540 SNAP 10.0 4.9																																																		
Std. Main Orifices (No/Size) Pilot Orifice Size	5/#42 .018		5/#54 .011																																																		
Ignition Type/Series Lock-Out Time	HW HSP ---		HW HSP ---																																																		
COMBUSTION	Flue Outlet Size (") Std. Outlet Temp (°F) Comb. Blower (MFD/Volts)	3 <140 4/370		3 <140 4/370																																																	
	Std. Pressures (" of WC)	@Blower @Transition		@Burner Box		Differential																																															
	5' No Elbows 40' +5-90° DWV Elbows	-2.40 -1.76 -1.98 -1.64		-.10 -.08 -2.0 -1.2		-2.3 -1.68 -1.78 -1.52																																															
LIMITS & CONTROLS	Rollout Switch Limit Control Setting (°F) Auxiliary Limit (°F)	200 180 130		200 180 130																																																	
	Fan Control (Type) Fan Control (Timed -Secs) On Off	HW ST9162A 30/60 60,100,140,180		HW ST9162A 30/60 60,100,140,180																																																	
	Std. Pressure Sw. (Part No) Press Differential (Close) Press Differential (Open)	1010895 1.62 1.38	1011779 1.40 1.20	1010895 1.62 1.38	1011779 1.40 1.20																																																
	High Alt. Pressure Sw. (Part No) Press Differential (Close) Press Differential (Open)	1008817 1.40 1.18	1011778 1.08 .90	1008817 1.40 1.18	1011778 1.08 .90																																																
	Air Delivery in Liters Per Second (L/S) (Furnace Rated @0.5" WC ESP) <table border="1"> <thead> <tr> <th>TAP</th> <th>LOW</th> <th>MED L</th> <th>MED H</th> <th>HIGH</th> </tr> </thead> <tbody> <tr><td>.10</td><td>690</td><td>779</td><td>887</td><td>1045</td></tr> <tr><td>.20</td><td>674</td><td>772</td><td>877</td><td>1017</td></tr> <tr><td>.30</td><td>669</td><td>762</td><td>867</td><td>1016</td></tr> <tr><td>.40</td><td>656</td><td>745</td><td>852</td><td>994</td></tr> <tr><td>.50</td><td>644</td><td>734</td><td>837</td><td>967</td></tr> <tr><td>.60</td><td>632</td><td>714</td><td>814</td><td>935</td></tr> <tr><td>.70</td><td>613</td><td>694</td><td>787</td><td>898</td></tr> </tbody> </table>													TAP	LOW	MED L	MED H	HIGH	.10	690	779	887	1045	.20	674	772	877	1017	.30	669	762	867	1016	.40	656	745	852	994	.50	644	734	837	967	.60	632	714	814	935	.70	613	694	787	898
	TAP	LOW	MED L	MED H	HIGH																																																
	.10	690	779	887	1045																																																
.20	674	772	877	1017																																																	
.30	669	762	867	1016																																																	
.40	656	745	852	994																																																	
.50	644	734	837	967																																																	
.60	632	714	814	935																																																	
.70	613	694	787	898																																																	
External Static Pressure Inches of W.C.																																																					
External Static Pressure Inches of W.C.																																																					

THIS DATA IS SUBJECT TO CHANGE WITHOUT NOTICE

Manufacturers Number (Mfr No -See Rating Plate)							NCPM050FFA1/TCK050F12A1																																														
Specifications							Circulation Air Blower Data																																														
GENERAL	Gas Type	Nat		LP		Hi Fire	Lo Fire	Hi Fire	Lo Fire	Type & Size Motor Amps/RPM Motor Type/ H.P. Cap. MFD/Volts	10-8 4.6/1050 PSC/1/3 5/370	Filt Type Filt Size (") Min. Cool Cap. (Tons) Max. Cool Cap. (Tons)	Washable 16x18x1(2) 1.5 3																																								
	Input (Btuh) Std/Alt. Output (Btuh) Std/Alt. Temp. Rise (°F)	50,000 46,000 40-70	35,000 32,200 30-60	50,000 46,000 40-70	35,000 32,200 30-60	Hi Fire	Lo Fire																																														
GAS & IGNITION	Electrical (Volts/Hz/FLA) Transformer Size (VA) T'stat Heat Anticipator	115/60/5.3 40 .10		115/60/5.3 40 .10						Air Delivery in Cubic Feet per Minute (C.F.M.) (Furnace Rated @0.5" WC ESP) <table border="1"> <thead> <tr> <th>TAP</th> <th>LOW</th> <th>MED L</th> <th>MED H</th> <th>HIGH</th> </tr> </thead> <tbody> <tr><td>.10</td><td>718</td><td>840</td><td>1109</td><td>1473</td></tr> <tr><td>.20</td><td>719</td><td>838</td><td>1094</td><td>1431</td></tr> <tr><td>.30</td><td>714</td><td>837</td><td>1086</td><td>1396</td></tr> <tr><td>.40</td><td>692</td><td>819</td><td>1063</td><td>1349</td></tr> <tr><td>.50</td><td>660</td><td>791</td><td>1027</td><td>1291</td></tr> <tr><td>.60</td><td>615</td><td>752</td><td>986</td><td>1222</td></tr> <tr><td>.70</td><td>563</td><td>683</td><td>934</td><td>1141</td></tr> </tbody> </table>				TAP	LOW	MED L	MED H	HIGH	.10	718	840	1109	1473	.20	719	838	1094	1431	.30	714	837	1086	1396	.40	692	819	1063	1349	.50	660	791	1027	1291	.60	615	752	986	1222	.70	563	683	934	1141
	TAP	LOW	MED L	MED H	HIGH																																																
	.10	718	840	1109	1473																																																
	.20	719	838	1094	1431																																																
.30	714	837	1086	1396																																																	
.40	692	819	1063	1349																																																	
.50	660	791	1027	1291																																																	
.60	615	752	986	1222																																																	
.70	563	683	934	1141																																																	
Gas Valve Regulation Type Manifold Press. (" WC)	HW SV9540 SNAP 3.5 1.7		HW SV9540 SNAP 10.0 4.9																																																		
Std. Main Orifices (No/Size) Pilot Orifice Size	2/#42 .018		2/#54 .011																																																		
Ignition Type/Series Lock-Out Time	HW HSP ---		HW HSP ---																																																		
COMBUSTION	Flue Outlet Size (") Std. Outlet Temp (°F) Comb. Blower (MFD/Volts)	2 <140 4/370		2 <140 4/370						Air Delivery in Liters Per Second (L/S) (Furnace Rated @0.5" WC ESP) <table border="1"> <thead> <tr> <th>TAP</th> <th>LOW</th> <th>MED L</th> <th>MED H</th> <th>HIGH</th> </tr> </thead> <tbody> <tr><td>.10</td><td>339</td><td>396</td><td>523</td><td>695</td></tr> <tr><td>.20</td><td>339</td><td>395</td><td>516</td><td>675</td></tr> <tr><td>.30</td><td>337</td><td>395</td><td>513</td><td>659</td></tr> <tr><td>.40</td><td>327</td><td>387</td><td>502</td><td>637</td></tr> <tr><td>.50</td><td>311</td><td>373</td><td>485</td><td>609</td></tr> <tr><td>.60</td><td>290</td><td>355</td><td>465</td><td>577</td></tr> <tr><td>.70</td><td>266</td><td>322</td><td>441</td><td>538</td></tr> </tbody> </table>				TAP	LOW	MED L	MED H	HIGH	.10	339	396	523	695	.20	339	395	516	675	.30	337	395	513	659	.40	327	387	502	637	.50	311	373	485	609	.60	290	355	465	577	.70	266	322	441	538
	TAP	LOW	MED L	MED H	HIGH																																																
	.10	339	396	523	695																																																
	.20	339	395	516	675																																																
.30	337	395	513	659																																																	
.40	327	387	502	637																																																	
.50	311	373	485	609																																																	
.60	290	355	465	577																																																	
.70	266	322	441	538																																																	
Std. Pressures (" of WC)	@Blower	@Transition	@Burner Box	Differential																																																	
5' No Elbows 40' +5-90° DWV Elbows	-2.30 -2.20	-1.56 -1.52	-.10 -.20	-.04 -.14	-2.2 -2.0	-1.52 -1.38																																															
LIMITS & CONTROLS	Rollout Switch Limit Control Setting (°F) Auxiliary Limit (°F)	300 240 120		300 240 120						External Static Pressure Inches of W.C.																																											
	Fan Control (Type) Fan Control (Timed -Secs) On Off	HW ST9162A 30/60 60,100,140,180		HW ST9162A 30/60 60,100,140,180																																																	
	Std. Pressure Sw. (Part No) Press Differential (Close) Press Differential (Open)	1010895 1.62 1.38	1011778 1.08 .90	1010895 1.62 1.38	1011778 1.08 .90																																																
	High Alt. Pressure Sw. (Part No) Press Differential (Close) Press Differential (Open)	1008817 1.40 1.18	1011777 .86 .70	1008817 1.40 1.18	1011777 .86 .70																																																
	External Static Pressure Inches of W.C.																																																				
	Air Delivery in Cubic Feet per Minute (C.F.M.) (Furnace Rated @0.5" WC ESP) <table border="1"> <thead> <tr> <th>TAP</th> <th>LOW</th> <th>MED L</th> <th>MED H</th> <th>HIGH</th> </tr> </thead> <tbody> <tr><td>.10</td><td>718</td><td>840</td><td>1109</td><td>1473</td></tr> <tr><td>.20</td><td>719</td><td>838</td><td>1094</td><td>1431</td></tr> <tr><td>.30</td><td>714</td><td>837</td><td>1086</td><td>1396</td></tr> <tr><td>.40</td><td>692</td><td>819</td><td>1063</td><td>1349</td></tr> <tr><td>.50</td><td>660</td><td>791</td><td>1027</td><td>1291</td></tr> <tr><td>.60</td><td>615</td><td>752</td><td>986</td><td>1222</td></tr> <tr><td>.70</td><td>563</td><td>683</td><td>934</td><td>1141</td></tr> </tbody> </table>													TAP	LOW	MED L	MED H	HIGH	.10	718	840	1109	1473	.20	719	838	1094	1431	.30	714	837	1086	1396	.40	692	819	1063	1349	.50	660	791	1027	1291	.60	615	752	986	1222	.70	563	683	934	1141
TAP	LOW	MED L	MED H	HIGH																																																	
.10	718	840	1109	1473																																																	
.20	719	838	1094	1431																																																	
.30	714	837	1086	1396																																																	
.40	692	819	1063	1349																																																	
.50	660	791	1027	1291																																																	
.60	615	752	986	1222																																																	
.70	563	683	934	1141																																																	

THIS DATA IS SUBJECT TO CHANGE WITHOUT NOTICE

Manufacturers Number (Mfr No -See Rating Plate)							NCPM075GFA1/TCK075F14A1																																														
Specifications							Circulation Air Blower Data																																														
GENERAL	Gas Type	Nat		LP		Hi Fire	Lo Fire	Hi Fire	Lo Fire	Type & Size Motor Amps/RPM Motor Type/ H.P. Cap. MFD/Volts	10-8 6.8/1050 PSC/1/2 7.5/370	Filt Type Filt Size (") Min. Cool Cap. (Tons) Max. Cool Cap. (Tons)	Washable 16x18x1(2) 2 3.5																																								
	Input (Btuh) Std/Alt. Output (Btuh) Std/Alt. Temp. Rise (°F)	75,000 69,000 40-70	53,000 48,800 30-60	75,000 69,000 40-70	53,000 48,800 30-60	Hi Fire	Lo Fire																																														
GAS & IGNITION	Electrical (Volts/Hz/FLA) Transformer Size (VA) T'stat Heat Anticipator	115/60/7.5 40 .10		115/60/7.5 40 .10						Air Delivery in Cubic Feet per Minute (C.F.M.) (Furnace Rated @0.5" WC ESP) <table border="1"> <thead> <tr> <th>TAP</th> <th>LOW</th> <th>MED L</th> <th>MED H</th> <th>HIGH</th> </tr> </thead> <tbody> <tr><td>.10</td><td>778</td><td>984</td><td>1263</td><td>1576</td></tr> <tr><td>.20</td><td>786</td><td>1003</td><td>1249</td><td>1532</td></tr> <tr><td>.30</td><td>790</td><td>1003</td><td>1244</td><td>1489</td></tr> <tr><td>.40</td><td>788</td><td>1001</td><td>1215</td><td>1432</td></tr> <tr><td>.50</td><td>781</td><td>982</td><td>1186</td><td>1371</td></tr> <tr><td>.60</td><td>765</td><td>962</td><td>1146</td><td>1308</td></tr> <tr><td>.70</td><td>743</td><td>923</td><td>1094</td><td>1229</td></tr> </tbody> </table>				TAP	LOW	MED L	MED H	HIGH	.10	778	984	1263	1576	.20	786	1003	1249	1532	.30	790	1003	1244	1489	.40	788	1001	1215	1432	.50	781	982	1186	1371	.60	765	962	1146	1308	.70	743	923	1094	1229
	TAP	LOW	MED L	MED H	HIGH																																																
	.10	778	984	1263	1576																																																
	.20	786	1003	1249	1532																																																
.30	790	1003	1244	1489																																																	
.40	788	1001	1215	1432																																																	
.50	781	982	1186	1371																																																	
.60	765	962	1146	1308																																																	
.70	743	923	1094	1229																																																	
Gas Valve Regulation Type Manifold Press. (" WC)	HW SV9540 SNAP 3.5 1.7		HW SV9540 SNAP 10.0 4.9																																																		
Std. Main Orifices (No/Size) Pilot Orifice Size	3/#42 .018		3/#54 .011																																																		
Ignition Type/Series Lock-Out Time	HW HSP ---		HW HSP ---																																																		
COMBUSTION	Flue Outlet Size (") Std. Outlet Temp (°F) Comb. Blower (MFD/Volts)	2,2 1/2, 3 <140 4/370		2,2 1/2, 3 <140 4/370						Air Delivery in Liters Per Second (L/S) (Furnace Rated @0.5" WC ESP) <table border="1"> <thead> <tr> <th>TAP</th> <th>LOW</th> <th>MED L</th> <th>MED H</th> <th>HIGH</th> </tr> </thead> <tbody> <tr><td>.10</td><td>367</td><td>464</td><td>596</td><td>744</td></tr> <tr><td>.20</td><td>371</td><td>473</td><td>589</td><td>723</td></tr> <tr><td>.30</td><td>373</td><td>473</td><td>587</td><td>703</td></tr> <tr><td>.40</td><td>372</td><td>472</td><td>573</td><td>676</td></tr> <tr><td>.50</td><td>369</td><td>463</td><td>560</td><td>647</td></tr> <tr><td>.60</td><td>361</td><td>454</td><td>541</td><td>617</td></tr> <tr><td>.70</td><td>351</td><td>436</td><td>516</td><td>580</td></tr> </tbody> </table>				TAP	LOW	MED L	MED H	HIGH	.10	367	464	596	744	.20	371	473	589	723	.30	373	473	587	703	.40	372	472	573	676	.50	369	463	560	647	.60	361	454	541	617	.70	351	436	516	580
	TAP	LOW	MED L	MED H	HIGH																																																
	.10	367	464	596	744																																																
	.20	371	473	589	723																																																
.30	373	473	587	703																																																	
.40	372	472	573	676																																																	
.50	369	463	560	647																																																	
.60	361	454	541	617																																																	
.70	351	436	516	580																																																	
Std. Pressures (" of WC)	@Blower	@Transition	@Burner Box	Differential																																																	
5' No Elbows 40' +5-90° DWV Elbows	-2.30 -2.05	-.98 -.95	-.10 -.15	-.08 -.15	-2.2 -1.9	-.90 -.80																																															
LIMITS & CONTROLS	Rollout Switch Limit Control Setting (°F) Auxiliary Limit (°F)	200 180 130		200 180 130						External Static Pressure Inches of W.C.																																											
	Fan Control (Type) Fan Control (Timed -Secs) On Off	HW ST9162A 30/60 60,100,140,180		HW ST9162A 30/60 60,100,140,180																																																	
	Std. Pressure Sw. (Part No) Press Differential (Close) Press Differential (Open)	1010895 1.62 1.38	1011776 .65 .50	1010895 1.62 1.38	1011776 .65 .50																																																
	High Alt. Pressure Sw. (Part No) Press Differential (Close) Press Differential (Open)	1008817 1.40 1.18	1010943 .52 .37	1008817 1.40 1.18	1010943 .52 .37																																																
	External Static Pressure Inches of W.C.																																																				
	Air Delivery in Cubic Feet per Minute (C.F.M.) (Furnace Rated @0.5" WC ESP) <table border="1"> <thead> <tr> <th>TAP</th> <th>LOW</th> <th>MED L</th> <th>MED H</th> <th>HIGH</th> </tr> </thead> <tbody> <tr><td>.10</td><td>778</td><td>984</td><td>1263</td><td>1576</td></tr> <tr><td>.20</td><td>786</td><td>1003</td><td>1249</td><td>1532</td></tr> <tr><td>.30</td><td>790</td><td>1003</td><td>1244</td><td>1489</td></tr> <tr><td>.40</td><td>788</td><td>1001</td><td>1215</td><td>1432</td></tr> <tr><td>.50</td><td>781</td><td>982</td><td>1186</td><td>1371</td></tr> <tr><td>.60</td><td>765</td><td>962</td><td>1146</td><td>1308</td></tr> <tr><td>.70</td><td>743</td><td>923</td><td>1094</td><td>1229</td></tr> </tbody> </table>													TAP	LOW	MED L	MED H	HIGH	.10	778	984	1263	1576	.20	786	1003	1249	1532	.30	790	1003	1244	1489	.40	788	1001	1215	1432	.50	781	982	1186	1371	.60	765	962	1146	1308	.70	743	923	1094	1229
TAP	LOW	MED L	MED H	HIGH																																																	
.10	778	984	1263	1576																																																	
.20	786	1003	1249	1532																																																	
.30	790	1003	1244	1489																																																	
.40	788	1001	1215	1432																																																	
.50	781	982	1186	1371																																																	
.60	765	962	1146	1308																																																	
.70	743	923	1094	1229																																																	

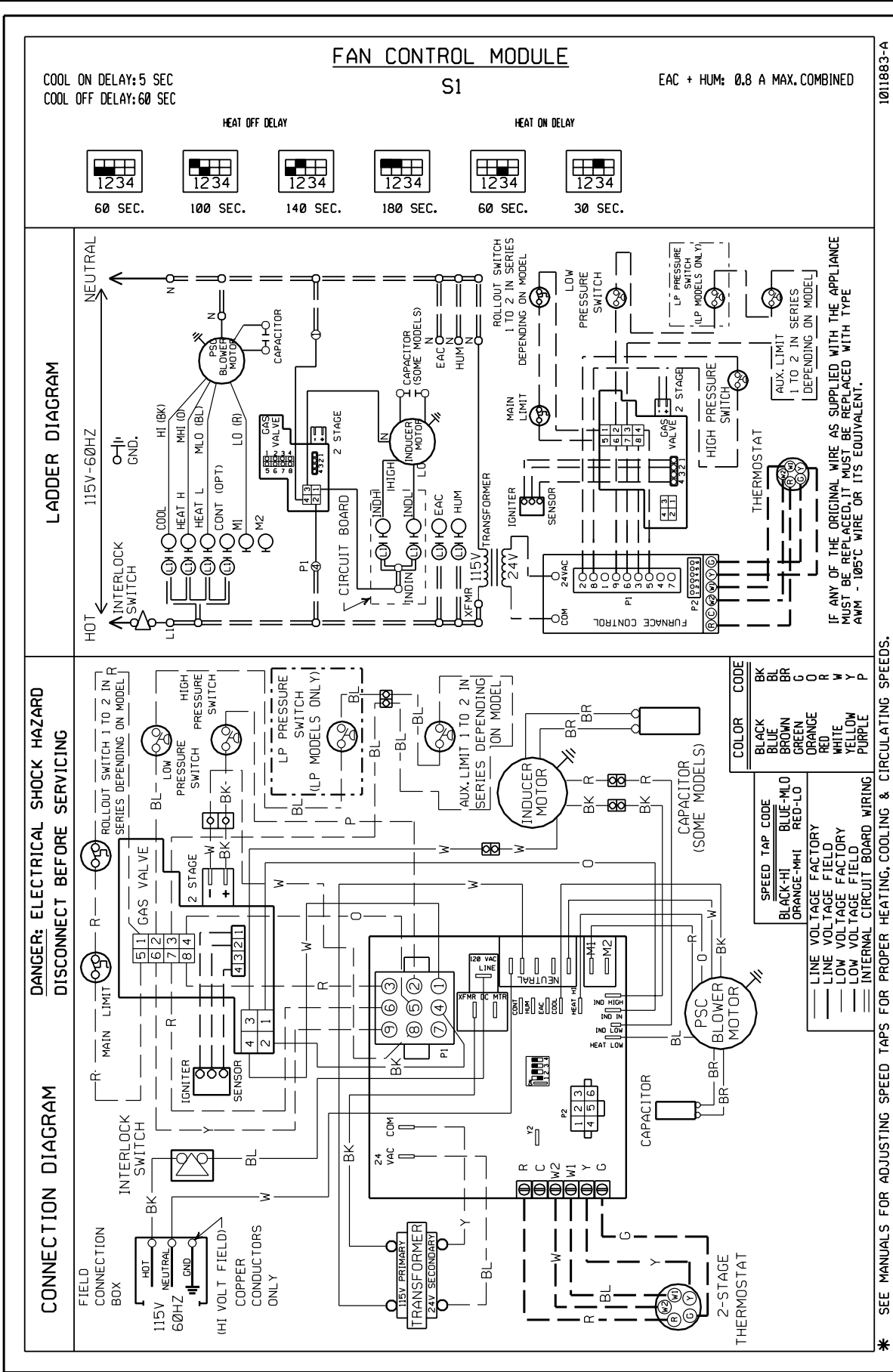
THIS DATA IS SUBJECT TO CHANGE WITHOUT NOTICE

Manufacturers Number (Mfr No -See Rating Plate)							NCPM100HJA1/TCK100J16A1						
Specifications							Circulation Air Blower Data						
GENERAL	Gas Type	Nat		LP		Hi Fire	Lo Fire	Hi Fire	Lo Fire	Type & Size	10-10	Filt Type	Washable
	Input (Btuh) Std/Alt.	100,000	70,000	100,000	70,000					Motor Amps/RPM	8.5/1050	Filt Size (")	16x18x1(2)
	Output (Btuh) Std/Alt.	92,000	64,400	92,000	64,400					Motor Type/ H.P.	DC/1	Min. Cool	
	Temp. Rise (°F)	40-70	30-60	40-70	30-60					Cap. MFD/Volts	10/370	Cap. (Tons)	2
	Electrical (Volts/Hz/FLA)	115/60/9.2		115/60/9.2								Max. Cool	4
	Transformer Size (VA)	40		40								Cap. (Tons)	
	T'stat Heat Anticipator	.10		.10									
GAS & IGNITION	Gas Valve	HW SV9540		HW SV9540						Air Delivery in Cubic Feet per Minute (C.F.M.)			
	Regulation Type	SNAP		SNAP						(Furnace Rated @0.5" WC ESP)			
	Manifold Press. (" WC)	3.5	1.7	10.0	4.9					External Static Pressure			
	Std. Main Orifices (No/Size)	4/#42		4/#54						Inches of W.C.			
	Pilot Orifice Size	.018		.011						External Static Pressure			
	Ignition Type/Series	HW HSP		HW HSP						Inches of W.C.			
	Lock-Out Time	---		---						External Static Pressure			
COMBUSTION	Flue Outlet Size (")	2,2 ¹ / ₂ , 3		2,2 ¹ / ₂ , 3						Inches of W.C.			
	Std. Outlet Temp (°F)	<140		<140						External Static Pressure			
	Comb. Blower (MFD/Volts)	4/370		4/370						Inches of W.C.			
	Std. Pressures (" of WC)	@Blower @Transition		@Burner Box		Differential				External Static Pressure			
	5' No Elbows	-2.40	-1.36	-.10	-.06	-2.3	-1.30			Inches of W.C.			
	40' +5-90° DWV Elbows	-1.98	-1.22	-2.0	-.18	-1.78	-1.22			External Static Pressure			
LIMITS & CONTROLS	Rollout Switch	200		200						Air Delivery in Liters Per Second (L/S)			
	Limit Control Setting (°F)	240		240						(Furnace Rated @0.5" WC ESP)			
	Auxiliary Limit (°F)	130		130						External Static Pressure			
	Fan Control (Type)	HW ST9162A		HW ST9162A						Inches of W.C.			
	Fan Control (Timed -Secs)	30/60		30/60						External Static Pressure			
		On	60,100,140,180		60,100,140,180					Inches of W.C.			
		Off								External Static Pressure			
	Std. Pressure Sw. (Part No)	1010895	1011777	1010895	1011777					Inches of W.C.			
	Press Differential (Close)	1.62	.86	1.62	.86					External Static Pressure			
	Press Differential (Open)	1.38	.70	1.38	.70					Inches of W.C.			
High Alt. Pressure Sw. (Part No)	1008817	1011776	1008817	1011776					External Static Pressure				
Press Differential (Close)	1.40	.65	1.40	.65					Inches of W.C.				
Press Differential (Open)	1.18	.50	1.18	.50					External Static Pressure				

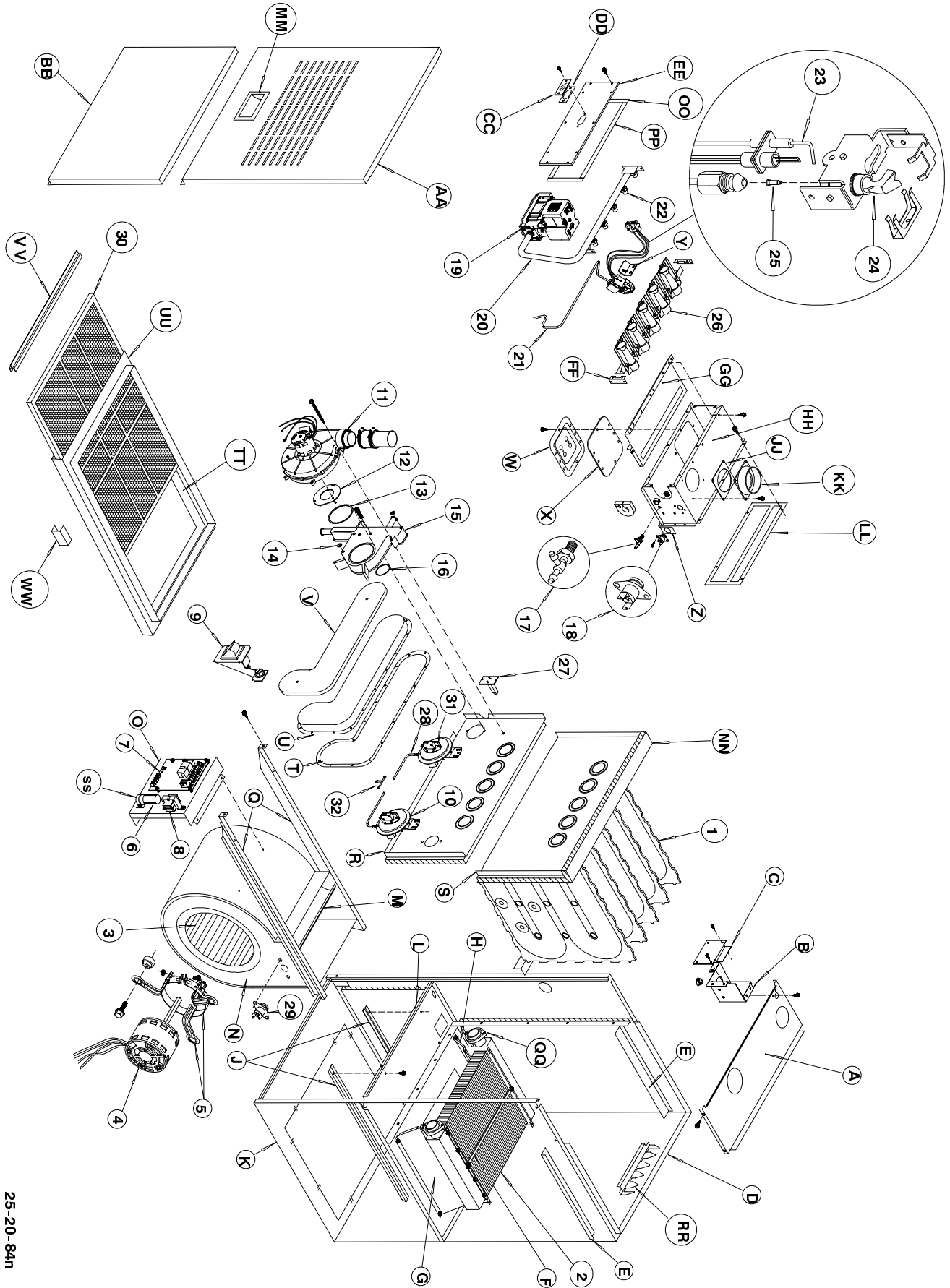
THIS DATA IS SUBJECT TO CHANGE WITHOUT NOTICE

Manufacturers Number (Mfr No -See Rating Plate)							NCPM125KNA1/TCK125N20A1						
Specifications							Circulation Air Blower Data						
GENERAL	Gas Type	Nat		LP		Hi Fire	Lo Fire	Hi Fire	Lo Fire	Type & Size	11.8-10.6	Filt Type	Washable
	Input (Btuh) Std/Alt.	125,000	87,500	125,000	87,500					Motor Amps/RPM	9.8/900	Filt Size (")	16x18x1(2)
	Output (Btuh) Std/Alt.	119,300	80,500	119,000	80,500					Motor Type/ H.P.	DC ³ / ₄	Min. Cool	
	Temp. Rise (°F)	45-75	45-75	45-75	45-75					Cap. MFD/Volts	10/370	Cap. (Tons)	3.5
	Electrical (Volts/Hz/FLA)	115/60/10.5		115/60/10.5								Max. Cool	5
	Transformer Size (VA)	40		40								Cap. (Tons)	
	T'stat Heat Anticipator	.10		.10									
GAS & IGNITION	Gas Valve	HW SV9540		HW SV9540						Air Delivery in Cubic Feet per Minute (C.F.M.)			
	Regulation Type	SNAP		SNAP						(Furnace Rated @0.5" WC ESP)			
	Manifold Press. (" WC)	3.5	1.7	10.0	4.9					External Static Pressure			
	Std. Main Orifices (No/Size)	5/#42		5/#54						Inches of W.C.			
	Pilot Orifice Size	.018		.011						External Static Pressure			
	Ignition Type/Series	HW HSP		HW HSP						Inches of W.C.			
	Lock-Out Time	---		---						External Static Pressure			
COMBUSTION	Flue Outlet Size (")	3		3						Inches of W.C.			
	Std. Outlet Temp (°F)	<140		<140						External Static Pressure			
	Comb. Blower (MFD/Volts)	4/370		4/370						Inches of W.C.			
	Std. Pressures (" of WC)	@Blower @Transition		@Burner Box		Differential				External Static Pressure			
	5' No Elbows	-2.40	-1.76	-.10	-.08	-2.3	-1.68			Inches of W.C.			
	40' +5-90° DWV Elbows	-1.98	-1.64	-2.0	-.12	-1.78	-1.52			External Static Pressure			
LIMITS & CONTROLS	Rollout Switch	200		200						Air Delivery in Liters Per Second (L/S)			
	Limit Control Setting (°F)	180		180						(Furnace Rated @0.5" WC ESP)			
	Auxiliary Limit (°F)	130		130						External Static Pressure			
	Fan Control (Type)	HW ST9162A		HW ST9162A						Inches of W.C.			
	Fan Control (Timed -Secs)	30/60		30/60						External Static Pressure			
		On	60,100,140,180		60,100,140,180					Inches of W.C.			
		Off								External Static Pressure			
	Std. Pressure Sw. (Part No)	1010895	1011779	1010895	1011779					Inches of W.C.			
	Press Differential (Close)	1.62	1.40	1.62	1.40					External Static Pressure			
	Press Differential (Open)	1.38	1.20	1.38	1.20					Inches of W.C.			
High Alt. Pressure Sw. (Part No)	1008817	1011778	1008817	1011778					External Static Pressure				
Press Differential (Close)	1.40	1.08	1.40	1.08					Inches of W.C.				
Press Differential (Open)	1.18	.90	1.18	.90					External Static Pressure				

1. Wiring Diagram (NTPM/TNK & NCPM/TCK)



3. (NTPM/TNK)



25-20-84n

Replacement Parts - NTPM/TNK

Models - NTPM050FFA1, NTPM075GFA1, NTPM100HJA1, NTPM125KNA1 (Natural Gas)
 TNK050F12A1, TNK075F14A1, TNK100J16A1, TNK125N20A1 (Natural Gas)

Replacement part supplied will be current active part. For parts not listed, consult place of purchase.

Key No.	Description Functional	Part Number	050	075	100	125
1	Heat Exchanger	1008876	1	-	-	-
		1008877	-	1	-	-
		1008878	-	-	1	-
		1008879	-	-	-	1
2	Coil Condenser	1010495	1	1	-	-
		1010496	-	-	1	-
		1010497	-	-	-	1
3	Wheel Blower 10-8 DD	600587	1	1	-	-
		601210	-	-	1	-
		1011420	-	-	-	1
4	Motor Blower 115V -1/3 HP	1009054	1	-	-	-
		1009053	-	1	-	-
		1009052	-	-	1	-
		1011404	-	-	-	1
5	Mount Motor Kit	609227	1	1	1	-
		522020024	-	-	-	1
6	Capacitor 5/370V	1094954	1	-	-	-
		1094956	-	-	1	1
		1094239	-	1	-	-
7	Control, Fan Timer	1011882	1	1	1	1
		1011626	1	1	1	1
		1010886	1	1	1	1
9	Switch Door Interlock	1010886	1	1	1	1
10	Switch Pressure High Fire (right)	1010895	1	1	1	1
11	Blower Exhaust	1011631	1	1	-	-
		1012088	-	-	1	1
12	Restrictor Exh Blwr	1008696	1	1	-	-
		1009386	-	-	1	-
13	O Ring (Exh Blwr)	1009035	1	1	1	1
14	Washer Exh Blwr	1009037	2	2	2	2
15	Transition Asy	1011850	1	1	1	1
16	O Ring (Header Box)	1009036	1	1	1	1
17	Pressure Tap	1005606	1	1	1	1
18	Switch Limit Rollout	1005549	1	-	-	-
		1010575	-	1	1	1
19	Valve Gas Nat & LP	1011615	1	1	1	1
		1011645	1	-	-	-
20	Manifold Gas	1011646	-	1	-	-
		1011647	-	-	1	-
		1011648	-	-	-	1
		1011648	-	-	-	1
21	Tube Pilot	64930	1	1	1	1
22	Orifice Burner Nat #42 LP #54 High Altitude Orifice Nat #45 LP #55 LP #56	1011351	2	3	4	5
		*1011376	2	3	4	5
		1011353	2	3	4	5
		*1011354	2	3	4	5
		*1011355	2	3	4	5
23	Igniter/Sensor with Clip	1009524	1	1	1	1
24	Pilot Burner Assembly Nat & LP	1008731	1	1	1	1
25	Orifice Pilot Nat .018 LP .011	503211	1	1	1	1
		1009136	-	-	-	-
26	Burner Asy	1008723	1	-	-	-
		1008724	-	1	-	-
		1008725	-	-	1	-
		1008726	-	-	-	1
27	Switch Limit (Main)	1010647	1	-	-	-
		34332903	-	1	-	-
		1320547	-	-	1	1

* Only used when furnace has been converted to LP Gas

Key No.	Description Non-Functional	Part Number	050	075	100	125
A	Panel Top	1010607	1	1	-	-
		1010608	-	-	1	-
		1010609	-	-	-	1
B	Box Field Connect	1011941	1	1	1	1
C	Cover Field Connect	1010360	1	1	1	1
D	Casing	1011649	1	1	-	-
		1011650	-	-	1	-
		1011651	-	-	-	1
E	Baffle Circ Air	707010031	2	2	2	2
F	Bracket Coil	1008743	1	1	-	-
		1008745	-	-	1	-
		1008747	-	-	-	1
G	Bracket Mount Coil(RH)	1011446	1	1	1	1
H	Bracket Mount Coil(LH)	1011445	1	1	1	1
J	Rail Blower Slide	57059	2	2	2	2
K	Casing Base	1010113	1	1	-	-
		1010114	-	-	1	-
		1010115	-	-	-	1
L	Blower Partition	1010815	1	1	-	-
		1010816	-	-	1	-
		1010817	-	-	-	1
M	Panel Cutoff Blwr	721020013	1	1	-	-
		721020008	-	-	1	1
N	Housing Blower	1011680	1	1	-	-
		1011681	-	-	1	-
		1010481	-	-	-	1
O	Bracket Ctrl Board	1011819	1	1	1	1
Q	Hanger Blower	1010690	2	2	2	2
R	Partition Frt Bot	1011060	1	-	-	-
		1011061	-	1	-	-
		1011062	-	-	1	-
		1011063	-	-	-	1
S	Partition Frt Top	1011595	1	-	-	-
		1011596	-	1	-	-
		1011597	-	-	1	-
		1011598	-	-	-	1
T	Gasket Collector Box	1008676	1	1	-	-
		1008677	-	-	1	-
		1008678	-	-	-	1
U	Collector Box	1008670	1	1	-	-
		1008671	-	-	1	-
		1008672	-	-	-	1
V	Board Insul Coll Box	1008682	1	1	-	-
		1008683	-	-	1	-
		1008684	-	-	-	1
W	Cover Diaphragm	1068036	1	1	1	1
X	Diaphragm Silicone	1008763	1	1	1	1
Y	Bracket Pilot	1010901	1	1	1	1
Z	Gasket Limit Switch	1008778	1	1	1	1
AA	Door Louvered	1010184	1	1	-	-
		1010185	-	-	1	-
		1010186	-	-	-	1
BB	Door Blower	1010190	1	1	-	-
		1010192	-	-	1	-
		1011848	-	-	-	1
CC	Viewport Cover Lexan	2480678	1	1	1	1
DD	Gasket Viewport	1093666	1	1	1	1

Replacement Parts - NTPM/TNK

Models - NTPM050FFA1, NTPM075GFA1, NTPM100HJA1, NTPM125KNA1 (Natural Gas)
 TNK050F12A1, TNK075F14A1, TNK100J16A1, TNK125N20A1 (Natural Gas)

Replacement part supplied will be current active part. For parts not listed, consult place of purchase.

Key No.	Description Functional	Part Number	050	075	100	125
28	Tube Sensor	1006298	1	1	1	1
29	Switch, Limit (Aux.)	1000735	1	1	1	1
30	Filter 16" x 25" x 1/2"	1010365	1	1	1	2
31	Switch Pressure Low Fire (left)	1011778	1	-	-	-
		1011776	-	1	-	-
		1011777	-	-	1	-
		1011779	-	-	-	1
32	Pressure Tap Tee	1006230	1	1	1	1
)	PART NOT ILLUSTRATED					
)	Wire Harness	1011859	1	1	1	1
)	Pin Plastic Clip	2344276	3	3	3	3
)	Flexible Neoprene Coupling	1002522	1	1	1	1
)	Clamp Hose	1002793	2	2	2	2
)	Elbow Union	1012099	1	1	1	1
)	Manual Tech	440 03 2001 07	1	1	1	1
)	Manual Install	440 01 2001 03	1	1	1	1
)	Manual Homeowners	441 02 1001 04	1	1	1	1
)	Grommet, Vinyl	1009535	1	1	1	1
)	Bushing, Strn Rif	1945287	1	1	1	1
)	Trap, Drain	1011434	1	1	1	1

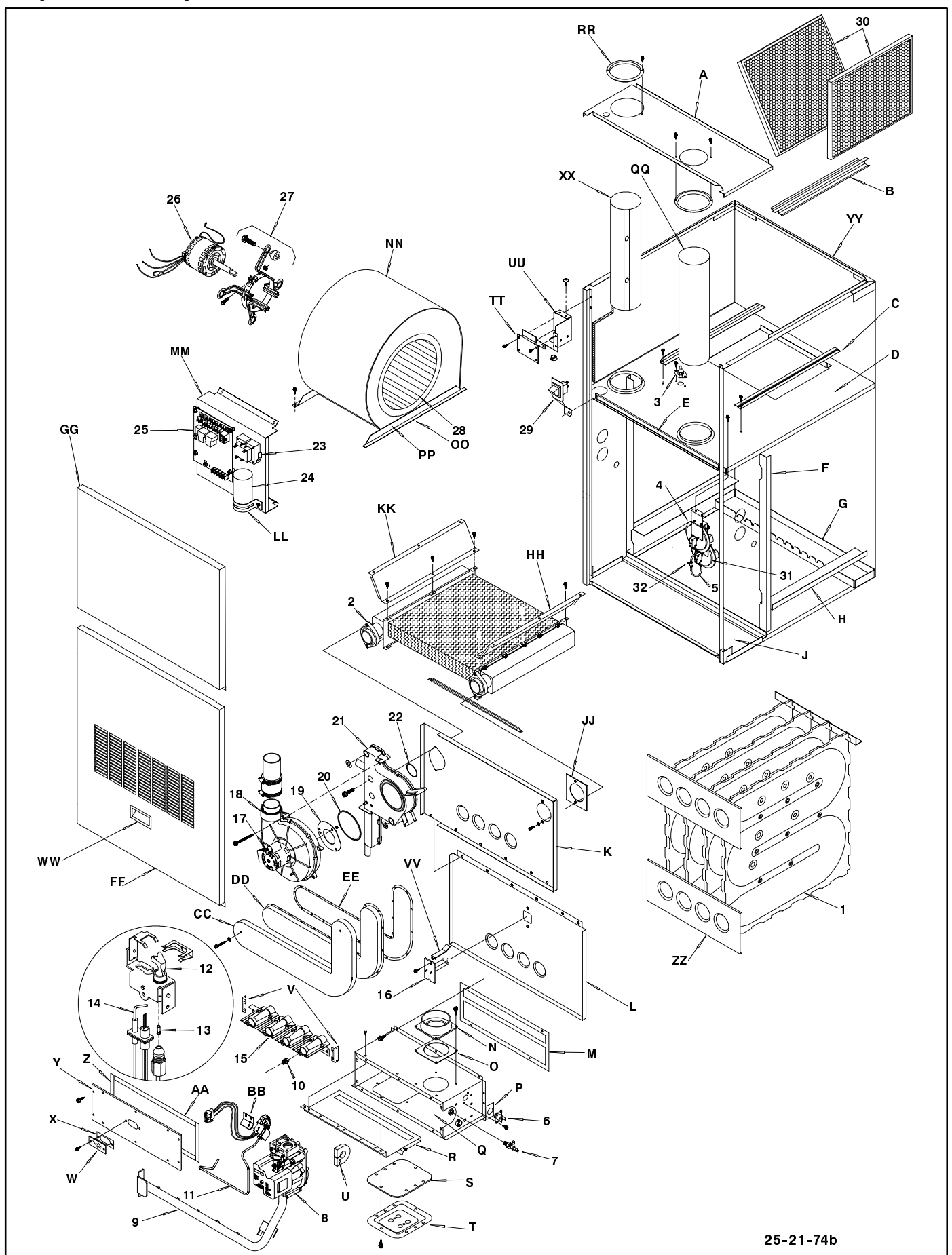
Key No.	Description Non-Functional	Part Number	050	075	100	125
EE	Cover Burner Box	1008748	1	1	-	-
		1008749	-	-	1	-
		1008750	-	-	-	1
FF	Bracket Burner Box	1008722	2	2	2	2
GG	Baffle Burner Box	1008709	1	1	-	-
		1008710	-	-	1	-
		1008711	-	-	-	1
		1010381	1	1	-	-
HH	Burner Box Asy	1010382	-	-	1	-
		1010383	-	-	-	1
		1008746	1	1	1	1
JJ	Gasket Air Intake	1008746	1	1	1	1
KK	Coupling Air Intake	1008744	1	1	1	1
LL	Gasket Burner Box	1008759	1	1	-	-
		1008760	-	-	1	-
		1008761	-	-	-	1
		1010073	1	1	1	1
MM	Door Handle	2480904	2	-	-	-
		2480905	-	2	-	-
		2480906	-	-	2	-
		2480907	-	-	-	2
NN	Gasket, Heat Exchanger	1008755	2	2	2	2
		1008762	2	2	-	-
OO	Seal, Burner Box Sides	1009243	-	-	2	-
		1009244	-	-	-	2
		1010510	1	1	1	1
PP	Seal, Burner Box	1010092	1	-	-	-
		1010093	-	1	-	-
		1010098	-	-	1	-
		1010099	-	-	-	1
QQ	Gasket, Header Box	1010510	1	1	1	1
RR	Support, Heat Exchanger	1095020	1	1	1	1
		741010039	1	1	1	2
		741020001	1	1	1	2
		2791043	1	1	1	2
SS	Clamp, Capacitor	1095020	1	1	1	1
TT	Wrapper Filter Rack	741010039	1	1	1	2
UU	Front Filter Rack	741020001	1	1	1	2
VV	Cover Filter Plastic	2791043	1	1	1	2
WW	Clip Filter	1008482	3	3	3	3

Gas Conversion Kits - All models

Nat to LP *1011789
 LP to Nat *1011787

*Must be ordered from Service Parts

4. (NCPM/TCK)



25-21-74b

Replacement Parts - NCPM/TCK

Models - NCPM050FFA1, NCPM075GFA1, NCPM100HJA1, NCPM125KNA1 (Natural Gas)

TCK050F12A1, TCK075F14A1, TCK100J16A1, TCK125N20A1 (Natural Gas)

Replacement part supplied will be current active part. For parts not listed, consult place of purchase.

Key No.	Description Functional	Part Number	050	075	100	125	Key No.	Description Non-Functional	Part Number	050	075	100	125
1	Heat Exchanger Assy	1008876	1	-	-	-	A	Panel Top	1010564	1	1	-	-
		1008877	-	1	-	-			1010565	-	-	1	-
		1008878	-	-	1	-			1010566	-	-	-	1
		1008879	-	-	-	1	B	Filter Holder	33411100	1	1	1	1
2	Heat Exchanger, Sec.	1010495	1	1	-	-	C	Rail Blower Slide	33406100	2	2	2	2
		1010496	-	-	1	-	D	Blower Partition	1011989	1	1	-	-
		1010497	-	-	-	1			1011990	-	-	1	-
3	Limit Switch, Auxillary	613839	-	1	1	-			1011991	-	-	-	1
		1065702	-	-	-	1	E	Plate, Fill-in	1011072	1	1	-	-
		1056172	1	-	-	-			1011073	-	-	1	-
4	Switch, Press Hi Fire (upper)	1010895	1	1	1	1			1011074	-	-	-	1
	Switch, Press. (Hi Alt)	1008945	1	1	1	1	F	Angle, Vertical	1008807	2	2	2	2
5	Tube, Sensor (36" Length)	1006298	1	1	1	1	G	Base, Rear	1010234	1	-	-	-
6	Limit Switch, Rollout	1005549	1	-	-	-			1010235	-	1	-	-
		1010575	-	1	1	1			1010348	-	-	1	-
7	Tap, Pressure	1005606	1	1	1	1			1010350	-	-	-	1
8	Valve Gas Nat & LP	1011615	1	1	1	1	H	Baffle Air	1009880	2	-	-	-
9	Manifold Gas	1011730	1	-	-	-			707010031	-	2	2	2
		1011731	-	1	-	-	J	Base, Front	1010090	1	1	-	-
		1011732	-	-	1	-			1010236	-	-	1	-
		1011733	-	-	-	1			1010237	-	-	-	1
10	Orifice Burner Nat #42 Brass	1011351	2	3	4	5	K	Partition Top Front	1009493	1	-	-	-
	LP #54 Silver	*1011376	*2	*3	*4	*5			1009494	-	1	-	-
	Hi Alt Orifice Nat #44 Brass	1065253	2	3	4	5			1009495	-	-	1	-
	Nat #45 Brass	1065121	2	3	4	5			1009496	-	-	-	1
	LP #55 Silver	*1065255	*2	*3	*4	*5	L	Partition Bot Front	1009497	1	-	-	-
	LP #56 Silver	*1065167	*2	*3	*4	*5			1009498	-	1	-	-
11	Pilot Tubing, Aluminum	64930	1	1	1	1			1009499	-	-	1	-
12	Pilot Assembly Nat & LP	1008731	1	1	1	1			1009500	-	-	-	1
13	Orifice, Pilot .018 Nat	503211	1	1	1	1	M	Gasket, Bunner Box	1008759	1	1	-	-
	Orifice, Pilot .011 LP	*1009136	*1	*1	*1	*1			1008760	-	-	1	-
14	Igniter/Sensor with Clip	1009524	1	1	1	1			1008761	-	-	-	1
15	Burner, Assy	1008723	1	-	-	-	N	Coupling, Air Intake	1008744	1	1	1	1
		1008724	-	1	-	-	O	Gasket, Air Intake	1008746	1	1	1	1
		1008725	-	-	1	-	P	Gasket, Rollout	1008778	1	1	1	1
		1008726	-	-	-	1	Q	Burner Box Assy	1010381	1	1	-	-
16	Limit Control	1320547	-	1	-	-			1010382	-	-	1	-
		1320549	1	-	1	-			1010383	-	-	-	1
		1009774	-	-	-	1	R	Baffle Burner Box	1008709	1	1	-	-
17	Capacitor, 4/370	100189	1	1	1	1			1008710	-	-	1	-
18	Blower Exhaust	1011631	1	1	-	-			1008711	-	-	-	1
		1012088	-	-	1	1	S	Diaphragm, Silicone Rubber	1008763	1	1	1	1
19	Restrictor Exh Blwr	1008696	1	1	-	-	T	Cover Diaphragm	1068036	1	1	1	1
		1009386	-	-	1	-	U	Grommet, Manifold	1008741	1	1	1	1
20	O Ring, Exhaust Blower	1009035	1	1	1	1	V	Bracket, Burner Box	1008722	2	2	2	2
21	Drain Trap/Transition	1011850	1	1	1	1	W	Viewport Cover Lexan	2480678	1	1	1	1
22	O Ring, Header Box	1009036	1	1	1	1	X	Gasket, Sight Glass	1093666	1	1	1	1
23	Transformer, 40VA	1011626	1	1	1	1	Y	Cover Burner Box	1008748	1	1	-	-
24	Capacitor, 10/370	1094956	-	-	1	1			1008749	-	-	1	-
	5/370	1094954	1	-	-	-	Z	Seal, Cover Sides	1008750	-	-	-	1
	7.5/370	1094239	-	1	-	-	AA	Strip, Seal Burner Box	1008755	2	2	2	2
25	Control Module/Fan Timer	1011882	1	1	1	1			1008762	2	2	-	-
26	Motor, 4 Speed 115V -1/3 HP	1009054	1	-	-	-			1009243	-	-	2	-
	115V -1/2 HP	1009053	-	1	-	-	BB	Bracket Pilot	1010901	1	1	1	1
	115V -1/2 HP	1009052	-	-	1	-	CC	Board, Insulating	1009552	1	1	-	-
	115V -3/4 HP	1011404	-	-	-	1			1009553	-	-	1	-
27	Kit, Motor Mount	609227	1	1	1	1			1009554	-	-	-	1
		522020024	-	-	-	1	DD	Box, Collector	1008673	1	1	-	-
28	Wheel, Blower 10-8 DD	600587	1	1	-	-			1008674	-	-	1	-
	10-10 DD	601210	-	-	1	-			1008675	-	-	-	1
	11-10 DD	1011420	-	-	-	1							
29	Switch-Interlock	1010886	1	1	1	1							
30	Filter W/Frame 16"x19"x1"	1009750	2	2	2	2							

* Only used when furnace has been converted to LPgas

Replacement Parts - NCPM/TCK

Models - NCPM050FFA1, NCPM075GFA1, NCPM100HJA1, NCPM125KNA1 (Natural Gas)
 TCK050F12A1, TCK075F14A1, TCK100J16A1, TCK125N20A1 (Natural Gas)

Replacement part supplied will be current active part. For parts not listed, consult place of purchase.

Key No.	Description Functional	Part Number	050	075	100	125
31	Switch Pressure Low Fire	1011778	1	-	-	-
		1011776	-	1	-	-
		1011777	-	-	1	-
		1011779	-	-	-	1
32	Pressure Tap Tee	1006230	1	1	1	1
)(PART NOT ILLUSTRATED						
)(Wire Harness	1011992	1	1	1	1
)(Clamp Hose	1002793	2	2	2	2
)(Coupling, Discharge	1002522	1	1	1	1
)(Reducer, 3" to 2"	1005779	1	1	1	1
)(Elbow Union	1012099	1	1	1	1
)(Manual Install	44001200106	1	1	1	1
)(Manual Tech	44003200107	1	1	1	1
)(Manual Homeowners	44102100105	1	1	1	1
)(Screen 3"	1007340	1	1	1	1
)(Screen 2"	1007339	1	1	1	1
)(Washer Exhaust Blower	1009037	2	2	2	2
)(Trap. Drain	1011434	1	1	1	1

Key No.	Description Non-Functional	Part Number	050	075	100	125
EE	Gasket, Collector Box	1009536	1	1	-	-
		1009537	-	-	1	-
		1009538	-	-	-	1
FF	Door Louvered	1010187	1	1	-	-
		1010188	-	-	1	-
		1010189	-	-	-	1
GG	Door, Fan	1010196	1	1	-	-
		1010197	-	-	1	-
		1010198	-	-	-	1
HH	Bracket, Mount LH	1008693	1	1	1	1
JJ	Gasket, Header Box	1010510	1	1	1	1
KK	Bracket, Mount RH	1008694	1	1	1	1
LL	Clamp, Capacitor	1095020	1	1	1	1
MM	Bracket, Control Board	1011178	1	1	1	1
NN	Blower Housing	1007787	1	1	-	-
		1007753	-	-	1	-
		1010481	-	-	-	1
OO	Blower Cutoff	721020013	1	1	-	-
		721020008	-	-	1	1
PP	Hanger, Blower	33403100	2	2	2	2
QQ	Shield, Vent Pipe	2311159	1	1	1	1
RR	Endplate, Vent Pipe	57083	4	4	4	4
TT	Cover, Field Connect	1010360	1	1	1	1
UU	Box, Field Connect	1011941	1	1	1	1
VV	Shield, Limit	1008797	-	-	1	-
WW	Door Handle	1010073	1	1	1	1
XX	Vent, Chase	1010540	1	1	1	1
YY	Casing	1010570	1	1	-	-
		1010571	-	-	1	-
		1010572	-	-	-	1
		2480904	2	-	-	-
ZZ	Gasket, Heat Exchanger	2480905	-	2	-	-
		2480906	-	-	2	-
		2480907	-	-	-	2
		2480907	-	-	-	2

Horizontal Condensate Switch Kit All Models
 NAHL001HK

Gas Conversion Kits All Models

Nat to LP NAHF002LP *1011789

LP to Nat NAHF002NG *1011787

*Order from Service Parts