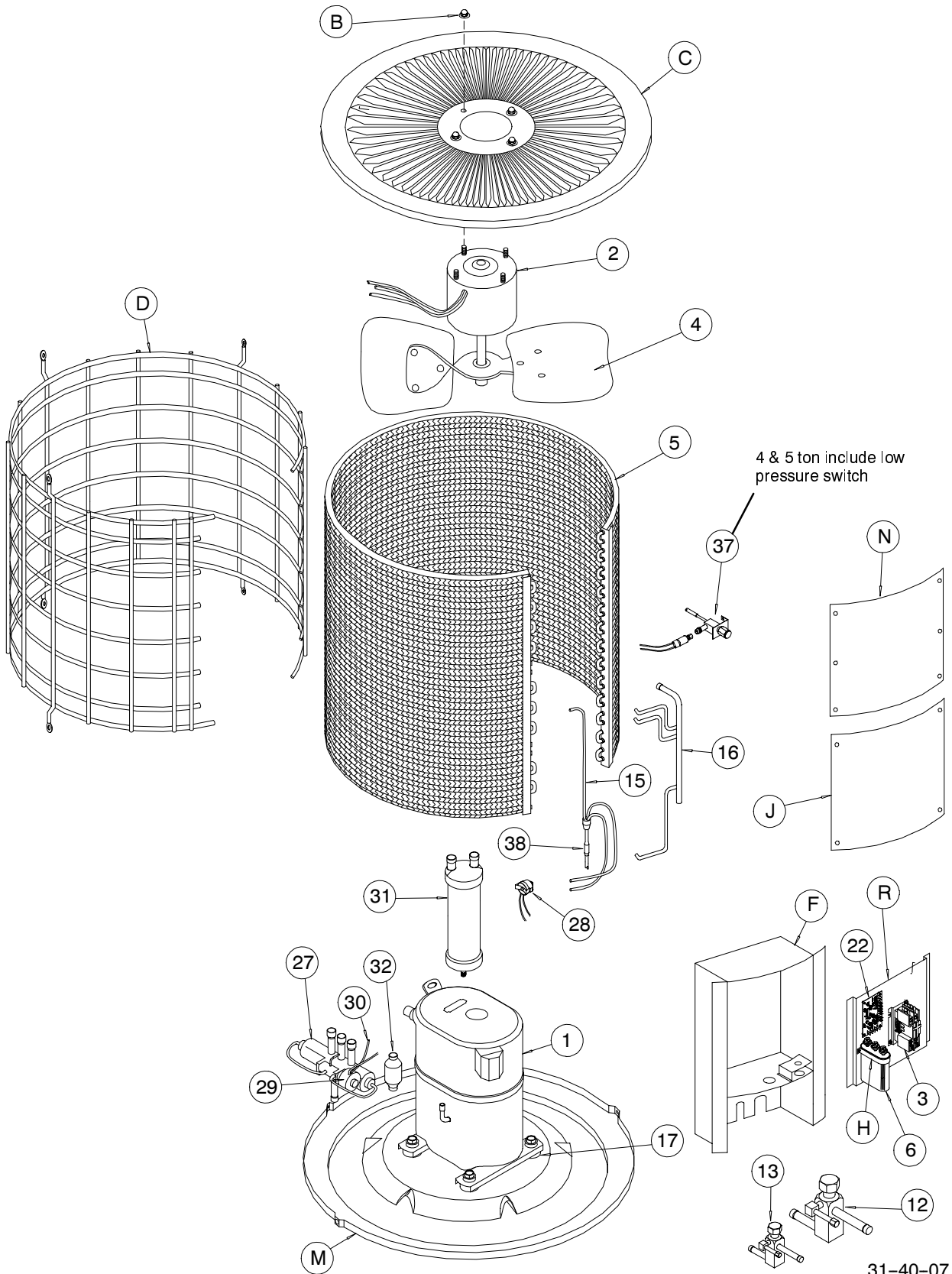


# Replacement Parts - HPS / FBY SERIES



31-40-07

# Replacement Parts – HPS / FBY SERIES

**Models – HPS018A2C1, HPS024A2C1, HPS030A2C1, HPS036A2C1, HPS042A2B1, HPS048A2B1, HPS060A2B1  
 FBY018GC1, FBY024GC1, FBY030GC1, FBY036GC1, FBY042GB1, FBY048GB1, FBY060GB1**

N O.	DESCRIPTION	PART No.	HPS / FBY							
			0 1 8	0 2 4	0 3 0	0 3 6	0 4 2	0 4 8	0 6 0	0 6 0
1	COMPRESSOR H25B18QABCA	1069486	1							
	CR22KFV	1064870	-	1						
	CR28KFV	1080806	-	-	1					
	H25B32QABCA	1092723	-	-	-	1				
	CR38K6FV	1067617	-	-	-	-	1			
	ZR47KCPV	1069491	-	-	-	-	-	1		
2	MOTOR, FAN	1069319	-	-	-	-	-	-	1	
		1082641	1	1	1	1				
3	CONTACTOR 25AMP	34329501	-	-	-	-	1	1	1	
	40AMP	1050699	1	1	1	1	1	1		
4	FAN	1149653	-	-	-	-	-	-	1	
		1080775	1	-	1					
5	CONDENSER	1080796	-	1	-	1				
		24216702	-	-	-	-	1	1	1	
		1069231	1							
		1069232	-	1						
		1069233	-	-	1					
		1069234	-	-	-	1				
6	CAPACITOR, 30+3MFD, 370V	1069235	-	-	-	-	1			
		1069236	-	-	-	-	-	1		
		1069237	-	-	-	-	-	-	1	
		1082631	1	1						
		1082632	-	-	1					
		1082633	-	-	-	1				
12	VALVE, SERVICE SUCTION	1094980	-	-	-	-	-	1		
		1094987	-	-	-	-	1			
		1095025	-	-	-	-	-	-	1	
		1080823	1	1						
13	VALVE, SERVICE LIQUID	1080824	-	-	1	1				
		1080825	-	-	-	-	1	1	1	
		1080821	1							
15	DISTRIBUTOR ASSEMBLY	1080822	-	1	1	1	1	1	1	
		1069458	1							
		1069459	-	1						
		1069460	-	-	1					
		1069461	-	-	-	1				
		1069462	-	-	-	-	1			
16	MANIFOLD	1069463	-	-	-	-	-	1		
		1069464	-	-	-	-	-	-	1	
		1069472	1							
		1069473	-	1						
		1069474	-	-	1					
		1069475	-	-	-	1				
		1069476	-	-	-	-	1			
		1069477	-	-	-	-	-	1		
17	GROMMET, COMPRESSOR	1069478	-	-	-	-	-	-	1	
		1053188	4	4	4	4	4			
22	CONTROL, DEFROST	1052060	-	-	-	-	-	4	4	
		1069364	1	1	1	1	1	1	1	

N O.	DESCRIPTION	PART No.	HPS / FBY							
			0 1 8	0 2 4	0 3 0	0 3 6	0 4 2	0 4 8	0 6 0	0 6 0
27	VALVE, REVERSING	1095322	1	1						
		1095321	-	-	1					
		34329001	-	-	-	1	1			
		1095319	-	-	-	-	-	1		
		34329030	-	-	-	-	-	-	1	
		1081510	1	1	1	1	1	1	1	
28	SENSOR, DEFROST	1081510	1	1	1	1	1	1	1	
29	COIL, REVERSING VALVE	34329055	1	1	1	1	1	1	1	
30	HARNES, REVERSING VALVE	1066711	1	1	1	1	1	1	1	
31	ACCUMULATOR	24373100	1	1						
		24373101	-	-	1	1				
		24373200	-	-	-	-	-	1		
		1058216	-	-	-	-	-	-	1	
32	MUFFLER	1053431	-	-	-	-	-	-	1	
		2319456	1	1						
		2319457	-	-	1	1	1			
37	PORT, HEAT CYCLE CHARGE	1059730	-	-	-	-	-	1	1	
		1069246	1	1	1	1	1			
38	CONTROL, FLOW	1080802	-	-	-	-	-	-	1	1
		1069758	1							
		1069759	-	1						
		1069760	-	-	1					
		1069761	-	-	-	1				
		1064767	-	-	-	-	1			
B	NUT, CAP	1069766	-	-	-	-	-	1		
		1069767	-	-	-	-	-	-	1	
C	PANEL, TOP	1052962	4	4	4	4				
		1097107	1	1	1	1				
D	GRILLE, INLET	1080820	-	-	-	-	-	1	1	1
		1064801	1							
		1064804	-	1						
		1064802	-	-	1					
		1064858	-	-	-	1				
		1064823	-	-	-	-	1			
F	BOX, CONTROL	1064824	-	-	-	-	-	1	1	
		1064883	1	1	1	1				
H	CLAMP, CAPACITOR	1064884	-	-	-	-	1	1	1	
		1069140	1	1	1	1	1	1		
J	COVER, CONTROL BOX	1069141	-	-	-	-	-	1	1	
		1069999	1	1	1	1				
M	BASEPAN	1080609	-	-	-	-	1	1	1	
		1064816	1	1	1	1				
N	PANEL, ACCESS UPPER	1064817	-	-	-	-	-	1	1	1
		1080729	1							
		1080730	-	1						
		1080731	-	-	1					
		1080732	-	-	-	1				
		1080733	-	-	-	-	1			
R	PANEL, CONTROL	1080734	-	-	-	-	-	1	1	
		1064888	1	1	1	1	1	1	1	
)(	MANUAL, INSTALLATION	42801120	1	1	1	1	1	1	1	
		100								
)(	MANUAL, USER'S	1068771	1	1	1	1	1	1	1	