

Installation Instructions

IMPORTANT: Read these instructions completely before attempting to install the accessory two-position damper.

The two-position damper is used on the following units:

UNIT SIZE	PART NUMBER
15 to 20 Ton	CRTWOPOS012A00
25 Ton	CRTWOPOS013A00

PACKAGE CONTENTS


QTY	ITEM
1	Upper end panel with damper
4	Hood angles
2	Hood side plates
1	Hood top
4	Outdoor air screens
2	Hood side filter supports
2	Hood side drip angles
2	Hood top diverters
60	Screws

SAFETY CONSIDERATIONS

Installation and servicing of air-conditioning equipment can be hazardous due to system pressure and electrical components. Only trained and qualified service personnel should install, repair, or service air-conditioning equipment.

Untrained personnel can perform the basic maintenance functions. All other operations should be performed by trained service personnel. When working on air-conditioning equipment, observe precautions in the literature, tags and labels attached to the unit, and other safety precautions that may apply.

Follow all safety codes. Wear safety glasses and work gloves.

Recognize safety information. This is the safety-alert symbol . When you see this symbol on the unit and in instructions or manuals, be alert to the potential for personal injury.

Understand the signal words DANGER, WARNING, and CAUTION. These words are used with the safety-alert symbol. DANGER identifies the most serious hazards which **will** result in severe personal injury or death. WARNING signifies a hazard which **could** result in personal injury or death. CAUTION is used to identify unsafe practices which **may** result in minor personal injury or product and property damage. NOTE is used to highlight suggestions which **will** result in enhanced installation, reliability, or operation.

WARNING

ELECTRICAL SHOCK HAZARD

Failure to follow this warning could result in personal injury and/or death.

Disconnect power supply and install lockout tag before attempting to install the accessory.

GENERAL

Use the accessory two-position damper on units without economizers. The two-position damper accessory will replace the manual damper system or can be installed on units with no outdoor-air intake. It can be used on vertical or horizontal applications.

The two-position damper accessory allows the unit to control the outside-air dampers. The damper opens when the indoor fan is operating and closes when the indoor fan is off. The two-position damper does not modulate; it is either open or closed.

INSTALLATION

These 2 position dampers are designed to work in both a vertical and horizontal application. The instructions are the same for both.

1. Turn off power and install lockout tag on unit.

- Remove the upper-end panel shipped on the HVAC unit. (See Fig. 1.) The return air chamber of the unit will be exposed. Save the screws for later use. The upper-end panel can be discarded. The bottom panel remains in its shipping position.

⚠ CAUTION

EQUIPMENT DAMAGE HAZARD

Failure to follow this caution may result in personal injury and damage to unit.

Cover the duct opening as a precaution so objects cannot fall into the return duct opening. Be sure to remove the cover when installation is complete.

- Screw the upper-end panel with the damper attached, in place on the HVAC unit. (See Fig. 4.)

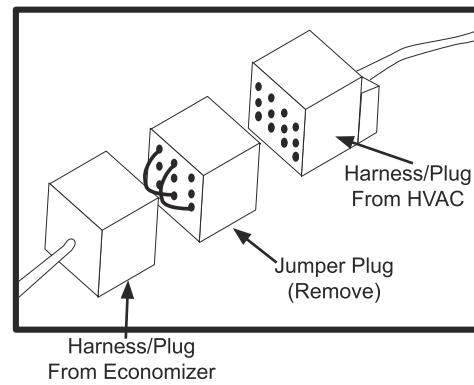


Fig. 3 - Unit Wiring Harness Plug

C09442

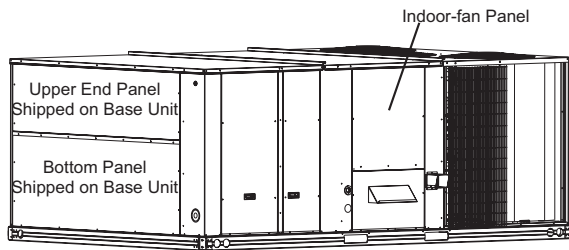


Fig. 1 - Upper and Bottom Panel on End of Unit

C09327

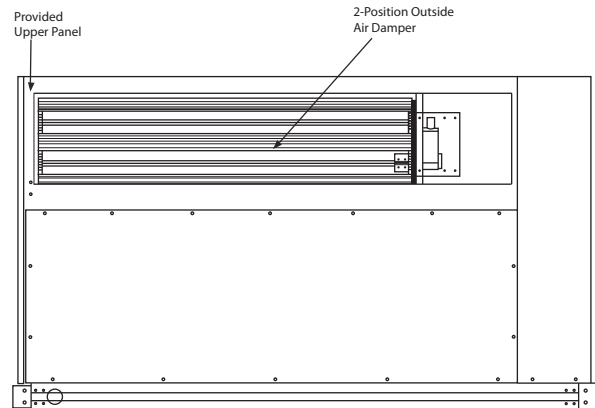


Fig. 4 - Upper End Panel with Damper Attached

C09443

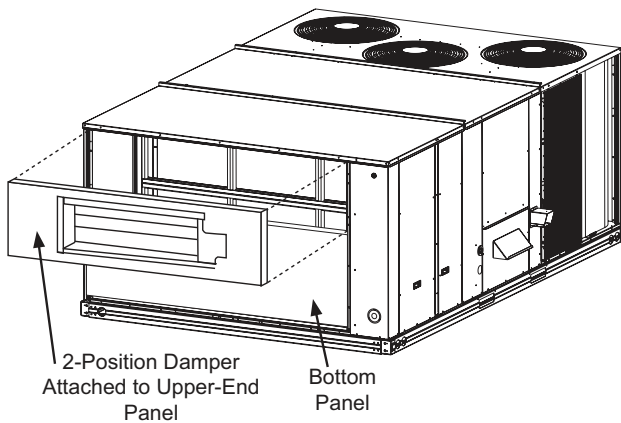


Fig. 2 - Upper End Panel with Damper Attached

C09440

- Lift the provided upper-end panel with damper attached in place over the top of the bottom panel. (See Fig. 2.) Do not secure in place yet.
- Remove and save the 12-pin jumper plug from the unit wiring harness. Insert the harness from the 2-position damper plug into the unit wiring harness plug. (See Fig. 3.)

NOTE: The 12-pin jumper plug should be saved for future use in the event that the 2-position damper is removed from the unit. The jumper plug is not needed as long as the 2-position damper is installed.

- Assemble the outside air hood per Fig. 6 and 7.
 - Install four hood angles to the upper end panel using the screws provided.
 - Apply seal strip to mating flanges on the side plates of the hood and the hood top.
 - Secure the hood side plates to the panel using screws provided.
 - On 44 inch chassis, remove screws across top cover. Attach hood top to hood side plates. (On 44 inch chassis, flange will slide behind flange of top cover).
 - On 44 inch chassis, reinstall the screws previously removed. On the 52 inch chassis, secure top flange using screws provided in kit.
 - Install the four outdoor air screens by sliding them into the channel formed by the four angles installed previously. Make sure the screens extend across the entire length of the hood.

- g. Install the side filter supports using the screws provided.
- h. Install the side drip edge angles using the screws provided.
- i. Run a continuous length of seal strip across the hood covering the engagement hole in the lower hood.

- j. Install top diverter using screws provided.
- 7. Install the hood assembly on the unit. (See Fig. 7 and 8.)
- 8. Install the hood screens and other approved accessories.

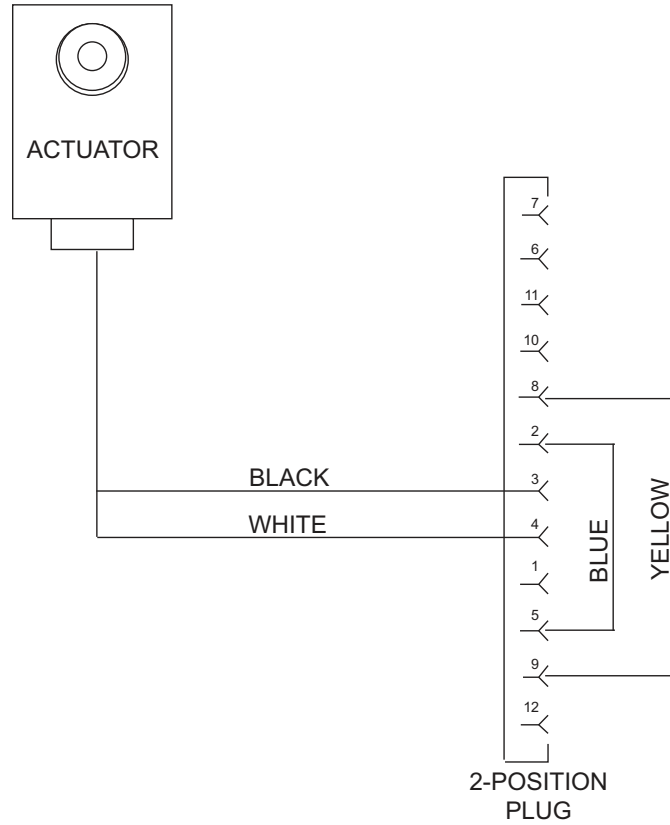
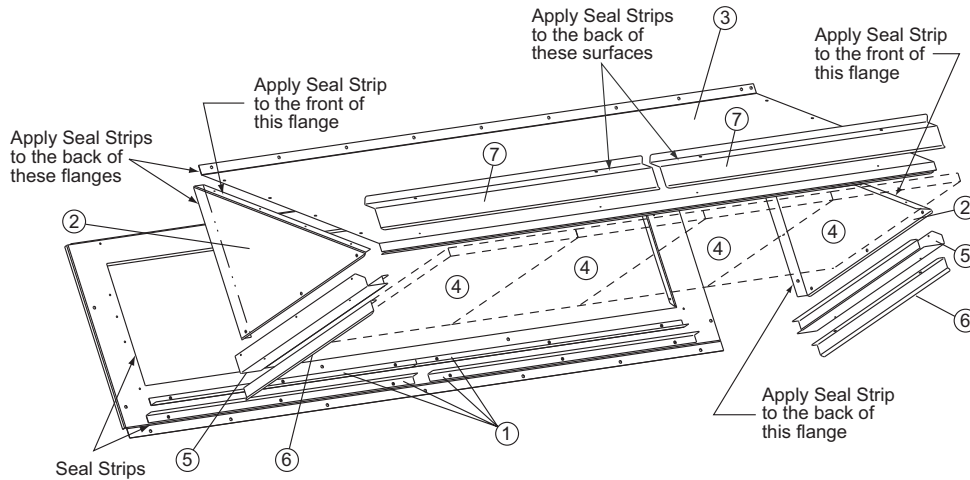


Fig. 5 - Wiring Diagram

C09441



Item #	Description	Qty
1	Angles	4
2	Side Plates	2
3	Hood	1
4	Outdoor Air Screens	4
5	Side Filter Supports	2
6	Side Drip Angles	2
7	Top Diverters	2

Fig. 6 - Hood Assembly

C09079

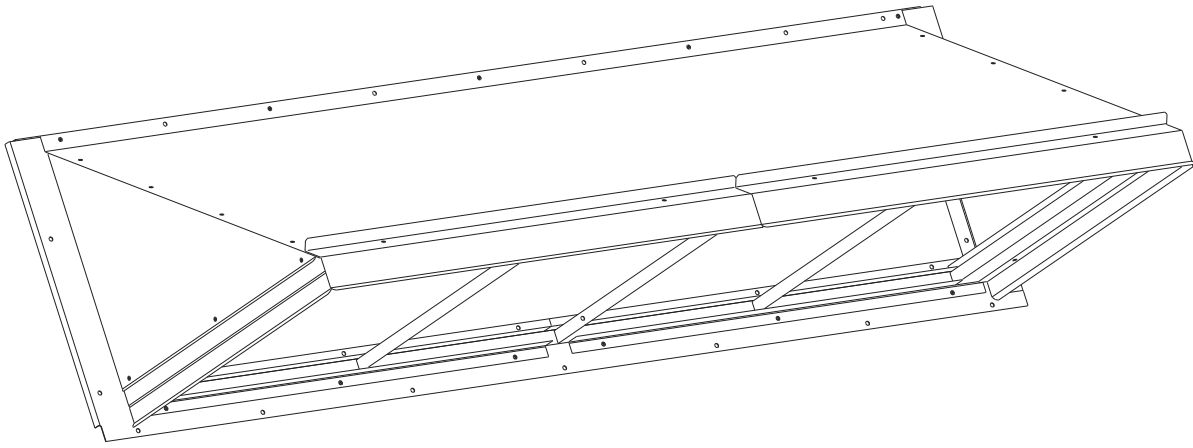


Fig. 7 - Hood Assembly Completed

C09090

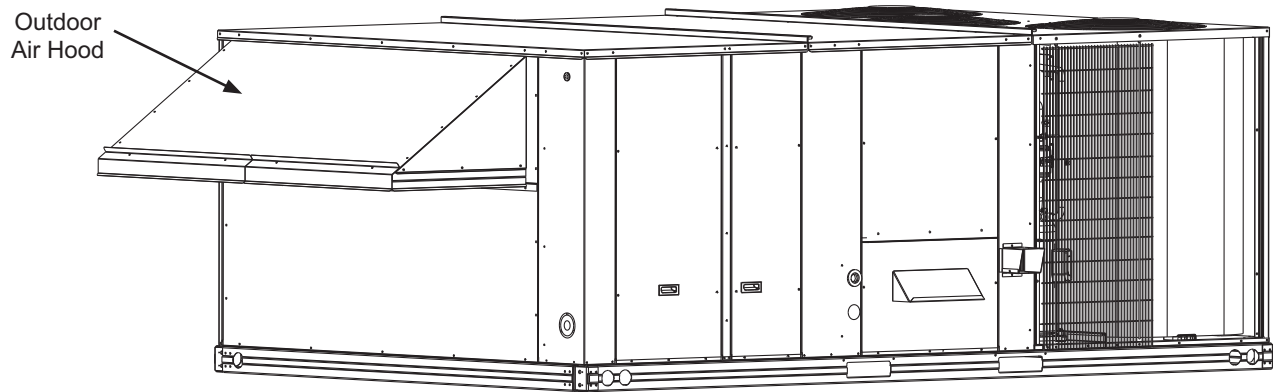


Fig. 8 - Hood Assembly Installed

C09444