

**KSACN0101AAA**

**Wired Remote Controller (with Timer Function)  
For Ductless Systems**

## **Owner's Manual**



# TABLE OF CONTENTS

	PAGE
SAFETY CONSIDERATIONS .....	3
WIRED CONTROLLER FEATURES AND FUNCTIONS .....	5
WIRED CONTROLLER NAMES AND OPERATIONS .....	6
CONTROLLER INDICATOR NAMES AND FUNCTIONS .....	7
BASIC FUNCTIONS .....	8
COOL/HEAT/FAN MODE .....	9
DRY MODE .....	10
FOLLOW ME .....	11
SETTING AIR FLOW DIRECTION .....	12
TIMER SETTING .....	13
TIMER OFF AND TIMER OFF .....	14
TROUBLESHOOT YOUR REMOTE CONTROL .....	14


## SAFETY CONSIDERATIONS

Installing, starting up, and servicing air-conditioning equipment can be hazardous due to system pressures, electrical components, and equipment location (roofs, elevated structures, etc.). Only trained, qualified installers and service mechanics should install, start-up, and service this equipment.

Untrained personnel can perform basic maintenance functions such as cleaning coils. All other operations should be performed by trained service personnel only. When working on the equipment, observe precautions in the literature and on tags, stickers, and labels attached to the equipment.

Follow all safety codes. Wear safety glasses and work gloves. Keep a quenching cloth and a fire extinguisher nearby when brazing. Use care in handling, rigging, and setting bulky equipment.

Read these instructions thoroughly and follow all warnings or cautions included in literature and attached to the unit. Consult local building codes and National Electrical Code (NEC) for special requirements. Recognize safety information.

This is the safety-alert symbol . When you see this symbol on the unit or in instructions or manuals, be alert to the potential for personal injury. Understand these signal words: **DANGER**, **WARNING**, and **CAUTION**.

These words are used with the safety-alert symbol. **DANGER** identifies the most serious hazards which will result in severe personal injury or death. **WARNING** signifies hazards which could result in personal injury or death.

**CAUTION** is used to identify unsafe practices which may result in minor personal injury or product and property damage. **NOTE** is used to highlight suggestions which will result in enhanced installation, reliability, or operation.



## CAUTION

### **ELECTRICAL SHOCK HAZARD**

Failure to follow this warning could result in personal injury or death.

Before beginning any modification or installation of this kit, be sure the main electrical disconnect is in the OFF position. Ensure the power is disconnected to the fan coil unit.

On some systems, both the fan coil and the outdoor unit may be on the same disconnect. Tag the disconnect switch with a suitable warning label. There may be more than one disconnect.



## CAUTION

### **EQUIPMENT DAMAGE HAZARD**

Failure to follow this caution may result in equipment damage or improper operation.

Do not install the wired controller in an area subjected to excessive steam, oil or sulfide gas. Doing so may cause the controller to deform and/or fail.

# WIRED CONTROLLER FEATURES AND FUNCTIONS

## Features:

- LCD display
- Malfunction code display – displays the error code (helpful for servicing)
- 5–way wire layout design
- Room temperature display

## Functions:

- Mode: choose Auto–Cool–Dry–Heat–Fan
- Fan speed: Auto–Low–Med–High
- Swing (on some models)
- Timer ON/OFF
- Temp setting
- FOLLOW ME
- Child Lock
- LCD Display
- Clock

# WIRED CONTROLLER NAMES AND OPERATIONS

## MODE

- Use to select the operating mode

AUTO → COOL → DRY → HEAT → FAN

- For cooling-only units, there is no HEAT function.

## TIMER ON

- Use to automatically turn on the air conditioner at a specified time.

## TIMER OFF

- Use to automatically turn off the air conditioner at a specified time.

## FOLLOW ME

- Allows the remote control to act as a remote thermostat and relay temperature information from its current location.

## AUXILIARY ELECTRICAL HEATER

- The Auxiliary Electric Heater warms up the unit in cold climates.
- If pressed during HEAT mode, the electric heater function becomes ineffective.

## ON/OFF

- Use to start/stop the air conditioner.

## ADJUST

- The UP (▲) and DOWN (▼) buttons are used to adjust the temperature.
- Press these two buttons at the same time to switch between Fahrenheit and Celsius

## SWING

- The SWING button starts and stops the louver movement and sets the desired airflow direction.

## ECONOMY

- Use to activate/deactivate ECONOMY Mode, in which the unit maintains a comfortable temperature during sleeping hours.

## FAN SPEED

- Use to select the fan speed.

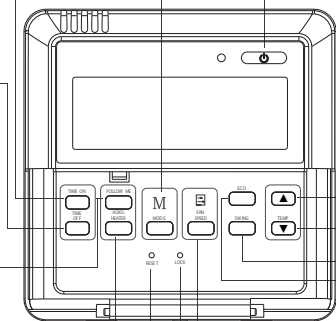


## RESET

- Use to restore the system to its default settings.

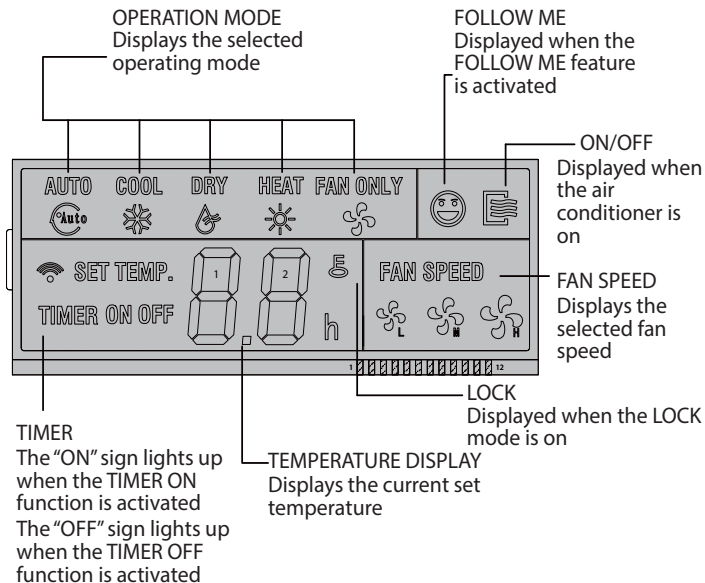
## LOCK

- Use to lock/unlock the current setting.



**Fig. 1 — Wired Controller Names and Operations**

# CONTROLLER INDICATOR NAMES AND FUNCTIONS



**Fig. 2 – Controller Indicator Names and Functions**

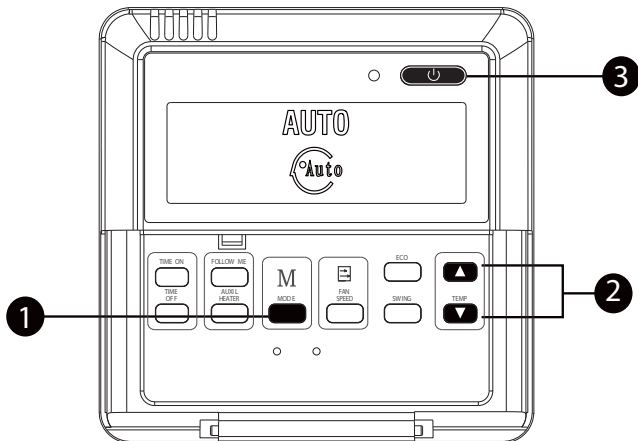
# BASIC FUNCTIONS

## Auto Mode

In AUTO mode, the unit automatically selects the COOL, HEAT, FAN or DRY function based on the set temperature.

1. Press **MODE** and select **AUTO**.
2. Press ▲ and ▼, set the desired temperature. The temperature can be set between 62°F (17°C) and 86°F (30°C) in increments of 1°F or 1°C.
3. Press **ON/OFF** to start the unit.

**NOTE:** In AUTO mode, the fan speed is automatically set on AUTO mode and cannot be changed. ECONOMY Mode can also be activated.

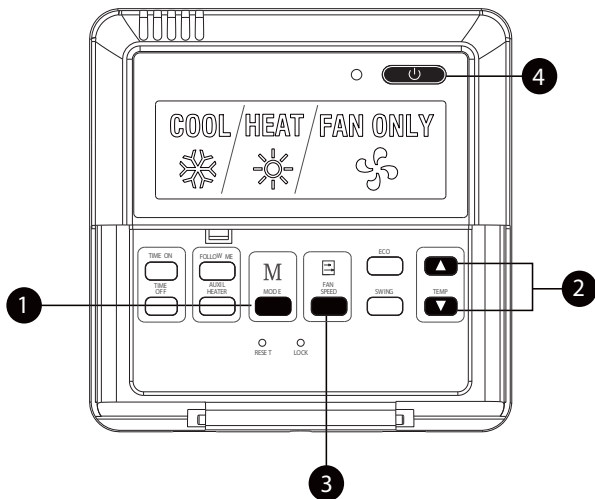




## COOL/HEAT/FAN MODE

1. Press **MODE**, select **COOL**, **HEAT** or **FAN ONLY**.
2. Press the temperature adjust button to select the setting temperature.
3. Press **FAN SPEED** to select the speeds: **HIGH/MID/LOW/AUTO**.
4. Press **ON/OFF** and the indoor unit operation lamp lights and operates in the selected mode.  
Press **ON/OFF** again and it stops.

**NOTE:** When in the **FAN** mode the temperature can not be set.

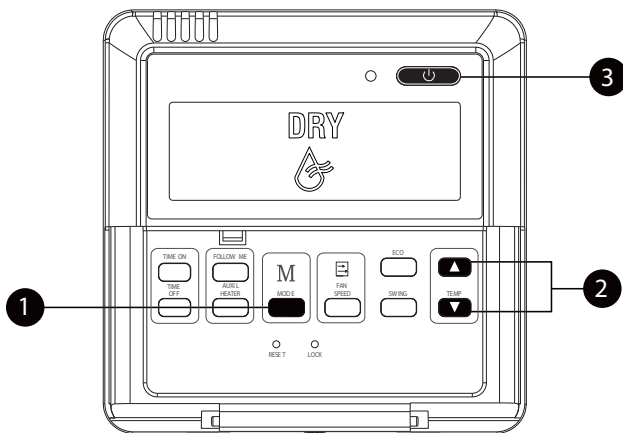


**Fig. 3 – Cool/Heat/Fan Mode**

## DRY MODE

1. Press **MODE** and select **DRY**.
2. Press the temperature adjust button to select the setting temperature.
3. Press **ON/OFF** and the indoor unit operation lamp lights and it works in the **DRY** mode. Press **ON/OFF** again to turn off.

**NOTE:** In the **DRY** mode the **ECONOMY** operation and **FAN** speed are not available.

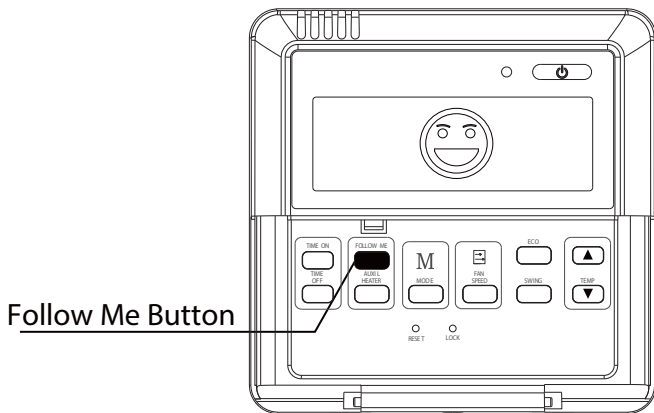


**Fig. 4 – Dry Mode**

## FOLLOW ME

The FOLLOW ME function enables the remote control to measure the temperature at its current location. When using the AUTO, COOL, or HEAT functions, measuring ambient temperature from the remote control (instead of from the indoor unit itself ) enables the air conditioner to ensure the temperature around you is optimized for your comfort.

1. Press FOLLOW ME to activate function. The remote control sends a temperature signal to the indoor unit every three minutes.
2. Press FOLLOW ME again to turn off this function.

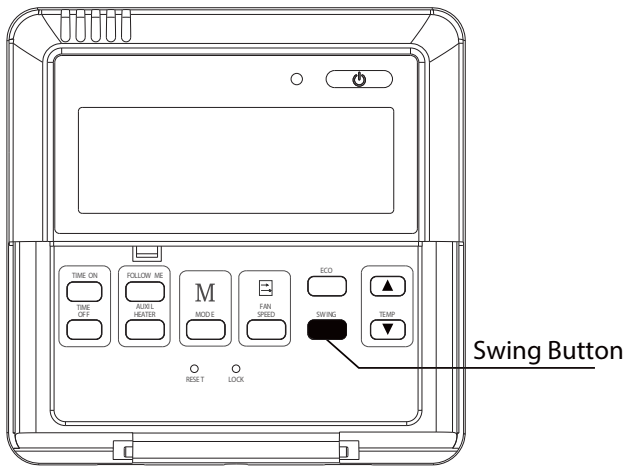


**Fig. 5 – Follow Me Function**

## SETTING AIR FLOW DIRECTION

1. Press SWING to activate the swing function. Press again to set the louver in the position you desire.
2. Press and hold SWING for three seconds to move the louver.

**NOTE:** The swing range of the louvers is 30°. Only available in certain indoor units.



**Fig. 6 – Setting Air Flow Function**

### Electric Heater Function

Press HEAT mode to activate or deactivate the electrical heater function.

**NOTE:** Option only available when matched with Ducted indoor units (limited functionality).

# TIMER SETTING

## Timer On only

1. Press **TIME ON** and it displays **SET** on the LCD along with **H** and **ON** to indicate it is waiting for the **TIMER ON** setting.
2. Press **TIMER ON** repeatedly to adjust the time setting.
3. Press this button and hold to increase the time by 0.5h. After 10h, the time increases by 1h.
4. After setting 0.5 second, the wired controller sends the **TIMER ON** information and it is complete.

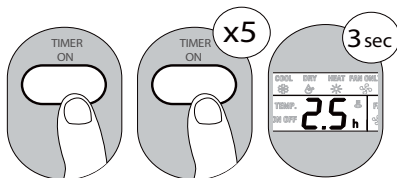


Fig. 7 – Timer On Setting

## Timer Off only

1. Press **TIME OFF** and it displays **SET** on the LCD and **H** and **ON** to indicate it is waiting for the **TIMER ON** setting.
2. Press **TIME OFF** repeatedly to adjust the time setting.
3. Press this button and hold and the time increases by 0.5h. After 10h, the time increases by 1h.
4. After setting 0.5 second, the wired controller sends the **TIMER OFF** information and it is complete.

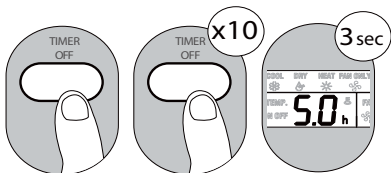


Fig. 8 – Timer Off Setting

## TIMER OFF AND TIMER OFF

1. Set the **TIMER ON** time as detailed in the corresponding step 1 and 2.
2. Set the **TIMER OFF** time as described in the corresponding step 1 and 2.
3. The **TIMER OFF** time must be longer than the **TIMER ON** time.

**NOTE:** 0.5 seconds after setting, the wired remote controller sends the information and the setting is complete.

**NOTE:** When setting the **TIMER ON** or **TIMER OFF** functions, up to 10 hours, the time increases in 30 minute increments with each press. After 10 hours and up to 24, it increases in 1 hour increments. The timer reverts to zero after 24 hours. You can select either function by setting its timer to “0.0 H.”

## TROUBLESHOOT YOUR REMOTE CONTROL

Symptoms	Possible Causes	Solution
The fan speed cannot be changed	Check whether the AUTO mode is selected	In AUTO mode, the FAN SPEED is set automatically and cannot be changed
	Check whether the DRY mode is selected	In DRY mode, the FAN SPEED is ineffective. The fan speed can only be changed in COOL, FAN, and HEAT modes.
The temperature display is off	Check whether the FAN mode is selected	In FAN mode, the temperature cannot be adjusted
The <b>TIMER OFF</b> disappears after a period of time	If the <b>TIMER OFF</b> function was activated, the operation may have finished	The air conditioner will automatically stop at the set time and the indicator light turns off.
The <b>TIMER ON</b> indicator disappears after a period of time	If the <b>TIMER ON</b> function was activated, the operation may have finished.	The air conditioner automatically starts at the set time and the indicator light turns off.