


Installation Instructions

SAFETY CONSIDERATIONS

Installation and servicing of air-conditioning equipment can be hazardous due to system pressure and electrical components. Only trained and qualified service personnel should install, repair, or service air-conditioning equipment.

Untrained personnel can perform the basic maintenance functions. All other operations should be performed by trained service personnel. When working on air-conditioning equipment, observe precautions in the literature, tags and labels attached to the unit, and other safety precautions that may apply.

Follow all safety codes. Wear safety glasses and work gloves.

Recognize safety information. This is the safety-alert symbol . When you see this symbol on the unit and in instructions or manuals, be alert to the potential for personal injury.

Understand the signal words DANGER, WARNING, and CAUTION. These words are used with the safety-alert symbol. DANGER identifies the most serious hazards which **will** result in severe personal injury or death. WARNING signifies a hazard which **could** result in personal injury or death. CAUTION is used to identify unsafe practices which **may** result in minor personal injury or product and property damage. NOTE is used to highlight suggestions which **will** result in enhanced installation, reliability, or operation.

CAUTION

CUT HAZARD

Failure to follow this caution may result in personal injury or death.

Sheet metal parts may have sharp edges or burrs. Use care and wear appropriate protective clothing, safety glasses and gloves when handling parts and servicing air conditioning equipment.

WARNING

ELECTRICAL SHOCK HAZARD

Failure to follow this warning could result in personal injury or death.

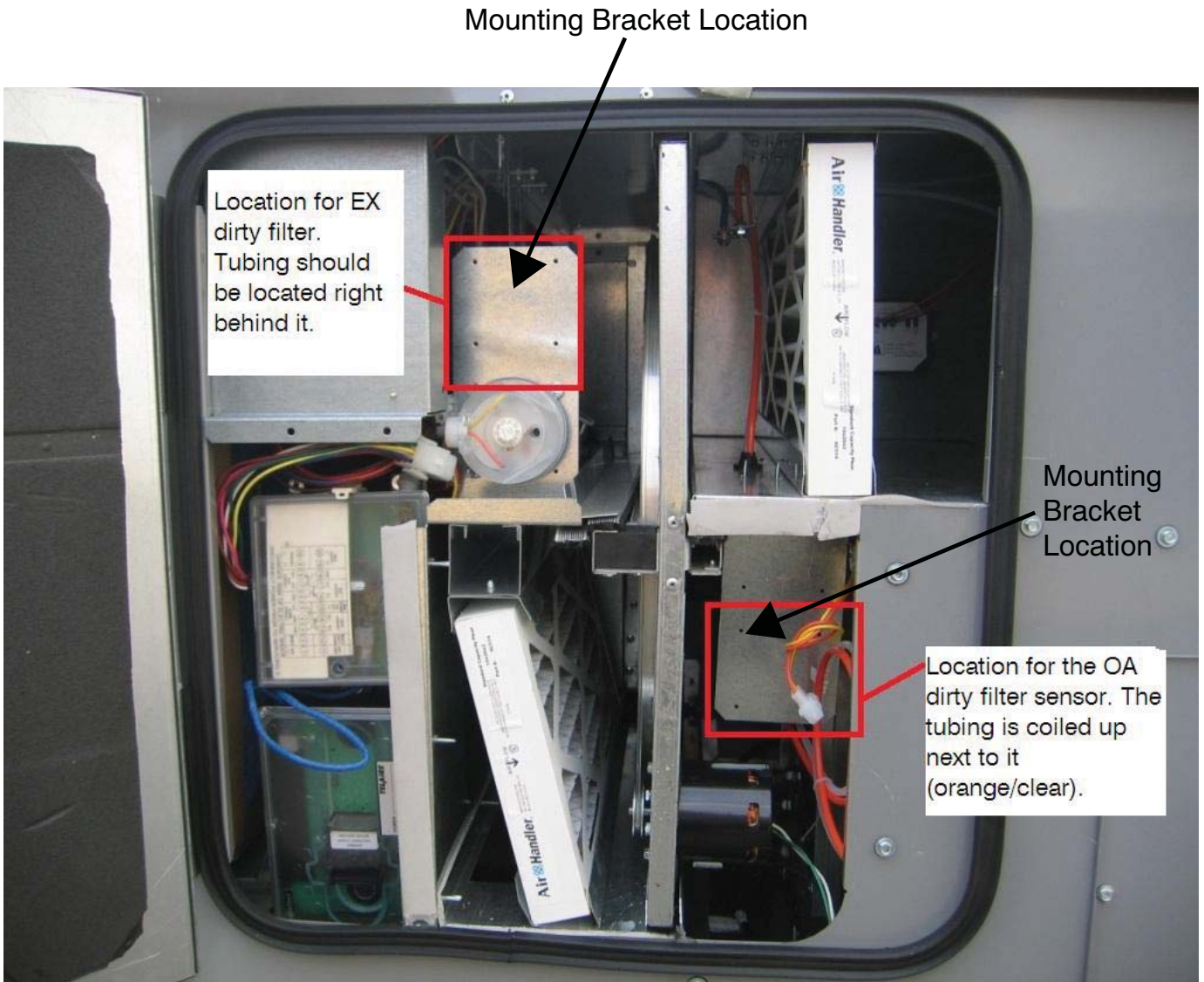
Before performing service or maintenance operations on unit, always turn off main power switch to unit and install lock(s) and lockout tag(s). Unit may have more than one power switch. Ensure electrical service to rooftop unit agrees with voltage an amperage listed on the unit rating plate.

Table 1 – Package Contents

ITEM	QTY
Cable 4 Plastic Tire Wire RT 400	8
Switch, Adj Diff. Pressure	2
#10 X 1 –in. HWH Sheet Metal Screw Zinc	4

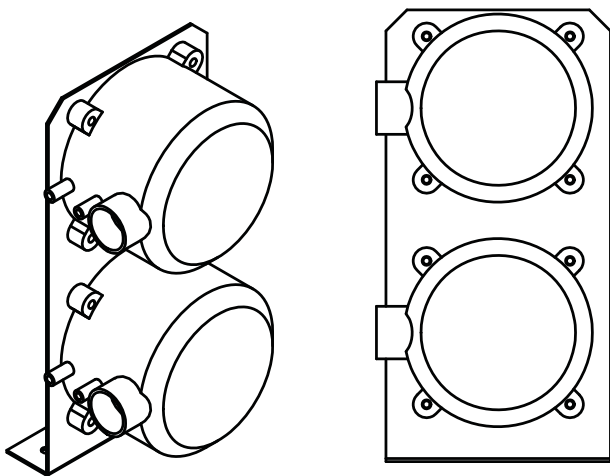
DIRTY FILTER SENSOR INSTALLATION

1. Open the ERV door and locate the mounting brackets show in Fig. 1.
2. Using the #10 x 1 tec screws provided, mount the sensors onto the bracket as shown in Fig. 2.
3. Following the labels on the tubing for that filter make connections. See Fig. 3.
4. Close ERV door.



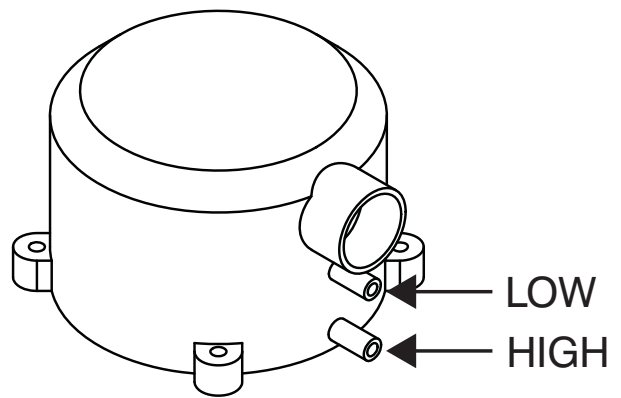
A11567

Fig. 1 - Mounting Bracket and Tubing Location



A11568

Fig. 2 - Mounting Sensors



A11569

Fig. 3 - Tube Connections