

CRMANDPR009A00
CRMANDPR010A00

**MANUAL DAMPER ACCESSORY FOR
 VERTICAL AND HORIZONTAL APPLICATIONS
 15 TO 27.5 TONS
 MODEL SIZES 17–30
 MODEL SIZES 181/183 – 333/336**

Installation Instructions

IMPORTANT: Read these instructions completely before attempting to install the accessory manual damper.

PACKAGE CONTENTS

USE WITH UNITS	PART NUMBER	QTY	DESCRIPTION
48HC, 48TC, 50HC 50TC, 50TCQ, 548J, 551J, 558J, 580J, 581J	50HE400941 (CRMANDPR009A00) 50HE400958 (CRMANDPR010A00)	1	Upper Panel
	50HE500381	1	Damper Blade
	50HE500715	1	Hood, Side
	50HE500716	1	Hood, Side
	50HE500718	1	Hood, Top
	50HE500381	1	Blankoff
	50HE500422	1	Blankoff
	KH03DU330	4	Filter
	50HE500529	4	Bracket, Filter
	50HE500749	1	Bracket, Filter
	50HE500768	1	Bracket, Filter
	50DK500407	1	Position Label
	99SR120212166001	3	Strip, Seal
	AL31AZ219	75	Screw
	AL48AM217	50	5/16 Screw
50HE501431	2	Angle	
50HE501430	2	Channel	
USE WITH UNITS	PART NUMBER	QTY	DESCRIPTION
RAH, RAS, RGH, RGS, RHS	50HE400941 (CRMANDPR009A00) 50HE400958 (CRMANDPR010A00)	1	Upper Panel
	50HE500381	1	Damper Blade
	50HE500715	1	Hood, Side
	50HE500716	1	Hood, Side
	50HE500718	1	Hood, Top
	50HE500381	1	Blankoff
	50HE500422	1	Blankoff
	KH03DU330	4	Filter
	50HE500529	4	Bracket, Filter
	50HE500749	1	Bracket, Filter
	50HE500768	1	Bracket, Filter
	50DK500407	1	Position Label
	99SR120212166001	3	Strip, Seal
	AL31AZ219	75	Screw
	AL48AM217	50	5/16 Screw
50HE501431	2	Angle	
50HE501430	2	Channel	


SAFETY CONSIDERATIONS

Installation and servicing of air-conditioning equipment can be hazardous due to system pressure and electrical components. Only trained and qualified service personnel

should install, repair, or service air-conditioning equipment.

Untrained personnel can perform basic maintenance functions of cleaning coils and filters and replacing filters. All other operations should be performed by trained service personnel. When working on air-conditioning equipment, observe precautions in the literature, tags and labels attached to the unit, and other safety precautions that may apply.

Follow all safety codes. Wear safety glasses and work gloves.

Recognize safety information. This is the safety-alert symbol . When you see this symbol on the unit and in instructions or manuals, be alert to the potential for personal injury.

Understand the signal words DANGER, WARNING, and CAUTION. These words are used with the safety-alert symbol. DANGER identifies the most serious hazards which **will** result in severe personal injury or death. WARNING signifies a hazard which **could** result in personal injury or death. CAUTION is used to identify unsafe practices which **may** result in minor personal injury or product and property damage. NOTE is used to highlight suggestions which **will** result in enhanced installation, reliability, or operation.

GENERAL

The manual damper accessory is designed to allow a fixed amount of outside air into the building space. The blade position can be manually adjusted as often as needed. See local and applicable codes for outside air requirements.

INSTALLATION

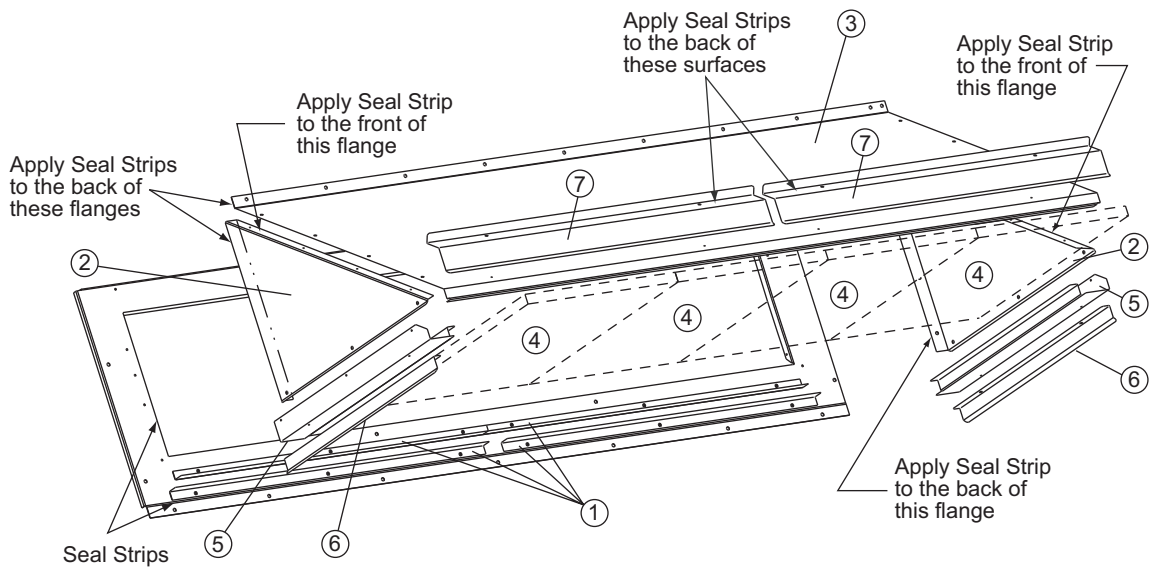
WARNING

ELECTRICAL SHOCK HAZARD

Failure to follow this warning could result in personal injury and/or death.

Disconnect power supply and install lockout tag before attempting to install the accessory.

1. Make sure power supply is off and install lockout tag.
2. Carefully remove the blank panel from return end of unit. Save the screws removed.



Item #	Description	Qty
1	Angles	4
2	Side Plates	2
3	Hood	1
4	Outdoor Air Screens	4
5	Side Filter Supports	2
6	Side Drip Angles	2
7	Top Diverters	2

Fig. 1 - Hood Details and Seal Strip Application Areas

C09079

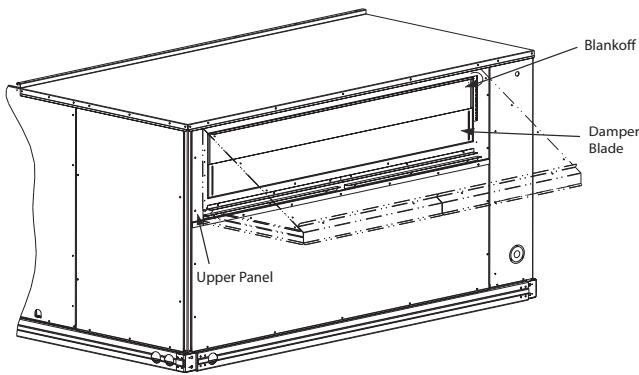


Fig. 2 - Assembled Hood

C09471

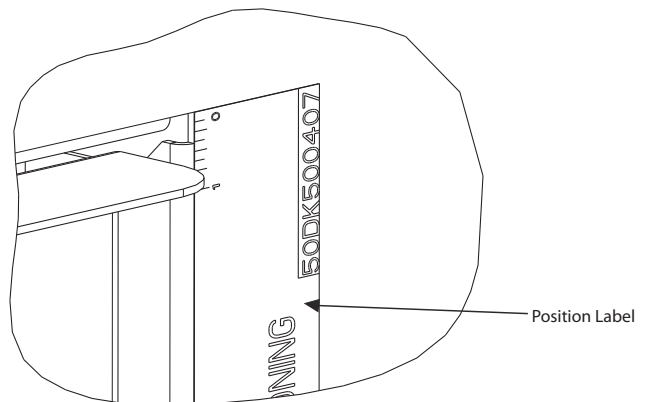


Fig. 3 - Position Label

C09478

3. Install hood from kit using screws saved.
4. Install blankoff as shown in Fig. 2 with 5/16 screws from kit.
5. Install position label along right side of opening such that top edge of sticker aligns with top flange of block off. (See Fig. 3.)
6. Install damper blade using (2) 5/16 screws. Position damper at desired setting based upon return pressure drop and required outdoor air. See chart for performance. (See Fig. 4.)
7. Secure side plates to panel using screws provided.
8. Apply seal strip to mating flange of the hood. (See Fig. 1.)
9. On 44-in. (1118 mm) chassis, remove screws across top cover. Attach hood to side plates (on 44-in. chassis, flange will slide behind flange of top cover).
10. On 44-in. (1118 mm) chassis, reinstall screws previously removed. On 52-in. (1321 mm) chassis, secure top flange using screws provided in kit.
11. Affix the angles to the block off panels (2) with the screws supplied. The sliders should be assembled so they do not extend beyond the block off panels. Install into the hood. (See Fig. 5.)
12. Install side filter supports using the screws provided.
13. Install side drip angles using the screws provided.

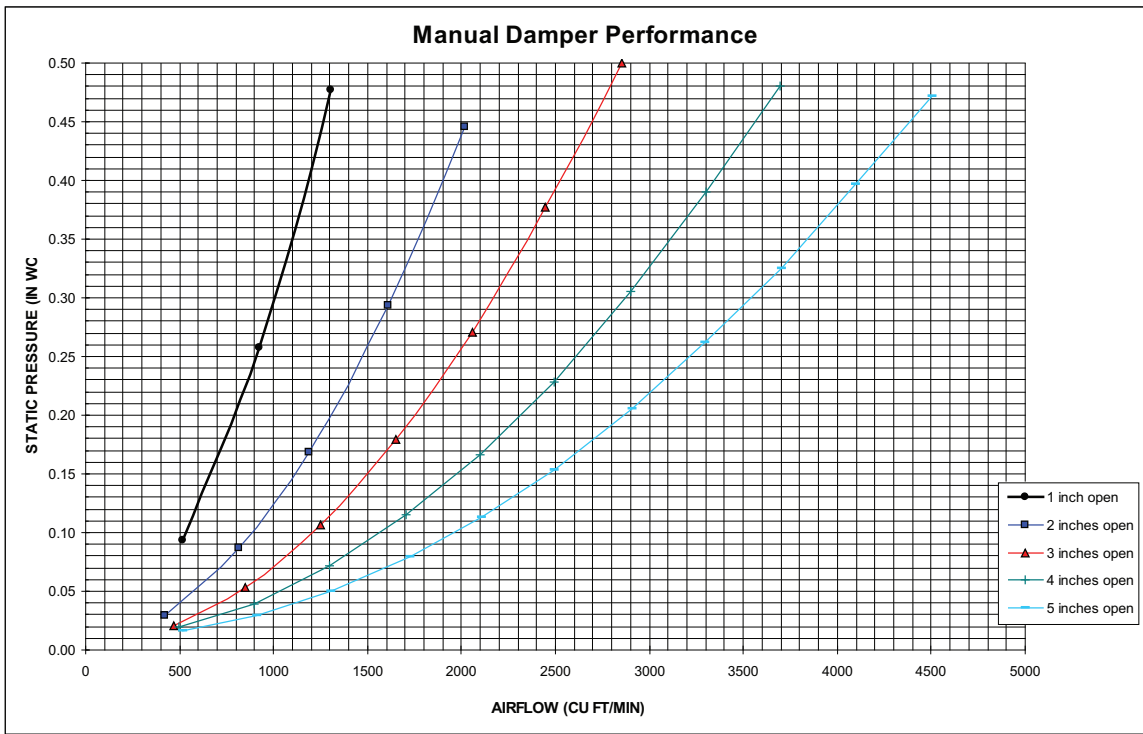


Fig. 4 - Manual Damper Performance

C09264

14. Run a continuous length of seal strip across the hood covering the engagement holes in the lower hood.
15. Install top diverter using the screws provided.
16. Move the manual dampers into the appropriate position and lock into place using the screws mounted in the adjustment slots. (See Fig. 5.)
17. Restore power to the unit.

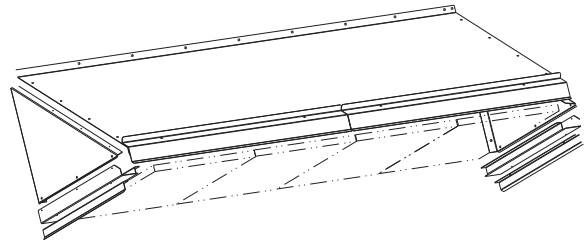


Fig. 5 - Manual Damper

C09472

