

Installation Instructions

PACKAGE CONTENTS


DESCRIPTION	QTY	PART NUMBER
Pressure Switch	1	HK06WC027
Screw - #8 x 1/2 in.	2	AL56AU166
Control Tube - 24in long	1	50HJ500301
Wire Tie	3	HY76TB110
Air Flow Sample Tube	1	EV83XZ150
Screw - #10 x 5/8	2	AL48AM217

SAFETY CONSIDERATIONS

Installation and servicing of air-conditioning equipment can be hazardous due to system pressure and electrical components. Only trained and qualified service personnel should install, repair, or service air-conditioning equipment.

Untrained personnel can perform the basic maintenance functions of replacing filters. All other operations should be performed by trained service personnel. When working on air-conditioning equipment, observe precautions in the literature, tags and labels attached to the unit, and other safety precautions that may apply.

Follow all safety codes. Wear safety glasses and work gloves. Use quenching cloth for unbrazing operations. Have fire extinguishers available for all brazing operations.

Recognize safety information. This is the safety-alert symbol . When you see this symbol on the unit and in instructions or manuals, be alert to the potential for personal injury.

Understand the signal words DANGER, WARNING, and CAUTION. These words are used with the safety-alert symbol. DANGER identifies the most serious hazards which **will** result in severe personal injury or death. WARNING signifies a hazard which **could** result in personal injury or death. CAUTION is used to identify unsafe practices which **may** result in minor personal injury or product and property damage. NOTE is used to highlight suggestions which **will** result in enhanced installation, reliability, or operation.

INSTALLATION

NOTE: The fan status switch can be installed to monitor indoor fan status (ON/OFF). Follow the procedures below and perform the steps necessary to install the fan status switch.

WARNING

ELECTRICAL OPERATION HAZARD

Failure to follow this warning could result in personal injury and/or death.

Prior to installation of this accessory, make sure all power is disconnected to the unit and install lock out tag.

CAUTION

EQUIPMENT DAMAGE HAZARD

Failure to follow this caution may result in damage to equipment.

When removing panels from the unit, be careful not to damage the roof or other surfaces with the panels.

1. Turn off power to the unit.
2. Open the blower access door on the unit.
3. Mount the switch on the fan housing in the Fan Section as shown in Fig. 1, using the #10 screws provided.
4. Remove the center hole knockout and mount the pick-up tube to the fan housing using the #8 screws provided.

NOTE: The arrow of the pick-up tube should point down as shown in Fig. 2.

5. Connect one end of the control tube to the high pressure port on the pressure switch. The high port is the one farthest from the wire connections (closer to the mounting flange).
6. Connect the other end of the control tube to the Air Flow Sample Tube.
7. Wire the switch per below according to the control system involved.
 - a. Electromechanical Units - Route and connect the digital indicator wires coming from the thermostat to the terminals on the pressure switch. Connect to the normally open or normally closed contacts per requirement. The normal status is no air flow.
 - b. ComfortLink Units - Attach loose gray and black wires to the pressure switch. The loose wires are bundled with the unit wiring harness along the fan housing and have 1/4" female quick connects. Connect these across the common and normally open terminals on the pressure switch.
 - c. Other DDC - Route wires through the unit to connect to the DDC controller or into the building to the management system. Refer to the specific literature for the DDC control or BMS for proper connections. The normal status of the switch is no air flow.
8. Secure wires and/or tubing as necessary with the included wire ties. Be careful not to tighten too much as to pinch the control tube.
9. Restore power to unit.

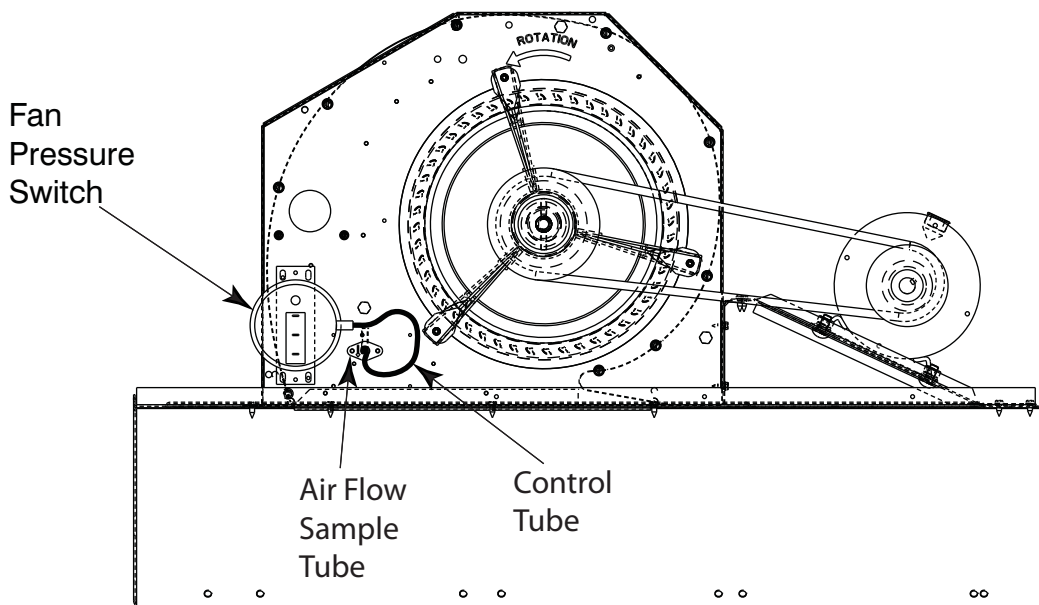


Fig. 1 - Fan Status Switch Mounting Location

C12397

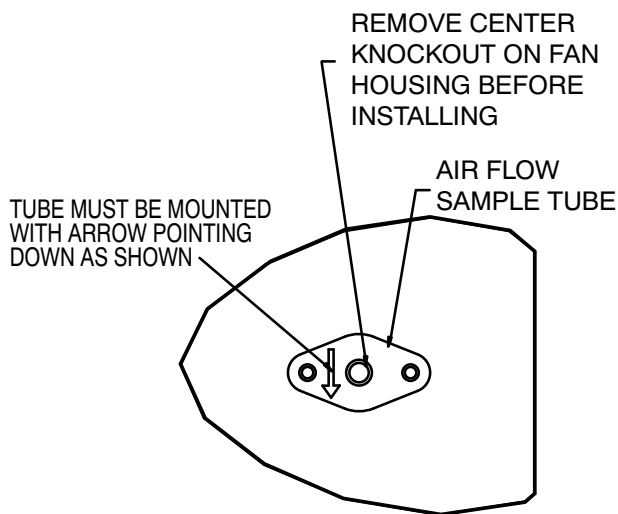


Fig. 2 - Air Flow Sample Tube

C12398

CONFIGURATION

Typically the thermostat, DDC, or BMS must be configured when wiring a fan status switch to it. Refer to the specific literature for instructions on this configuration. For ComfortLink units see below and the controls manual for details on configuring the switch.

1. The control system must be configured to use the fan switch. A password may be required to edit the configurations, depending on the previous settings configured in the unit. Default password is "1111".
2. A configuration is required to select the switch type, either normally open (1) or normally closed (2). The default setting for "FN.SW" is (0), or no switch. For use of this accessory, the setting should be changed to "1".

3. To configure the ComfortLink control, use the arrow keys on the Scrolling Marquee display to scroll the red LED on the display to the configuration position and press **ENTER**. Use the arrow keys then to scroll down to "UNIT", and press **ENTER**.
4. To configure the switch type, use the arrow keys to scroll down to "FN.SW", and press **ENTER**. At the Fan Switch (FN.SW) setting (default is "0" which means no switch), press **ENTER** ("0" should be flashing). Use the arrow keys to change the configuration to "1" for a normally open switch, and press **ENTER**. Using a configuration of "2" (normally closed switch) is not recommended for this application.
5. Configuration of the fan switch is now complete. Pressing the **ESCAPE** key several times will return the display to the auto scroll setting.
6. Consult the Controls and Troubleshooting Guide for complete instructions on using the ComfortLink control system.
7. Close and secure all access doors.

Setpoint Adjustment

To properly set the setpoint on the fan status indicator, run the units' indoor fan at the lowest application speed. The unit return air filters must be clean or new. Using a flat head screwdriver, rotate the adjustment screw until the pressure switch trips. Rotate the adjustment screw in the same direction another 1/2 turn.

OPERATION

If there is a digital indicator light on the thermostat, it will be lit when the indoor fan is operating. If the indoor fan is being told to operate by the thermostat, and the indicator light is not lit, service the unit immediately. If a space temperature probe or a thermostat without an indicator light is being used, the indoor fan operation status can be observed at the unit display, or over the Building Network (if installed).