

Installation Instructions

IMPORTANT: Read these instructions completely before attempting to install the accessory barometric relief hood.

PACKAGE CONTENTS

	DESCRIPTION	QTY
1	Left Side	1
2	Right Side	1
3	Top	1
4	Parts Bag	1

PACKAGE USAGE


Economizer Part No.
CRECOMZR052A00
CRECOMZR053A00
CRECOMZR054A00
CRECOMZR055A00
Or any factory-installed economizer for horizontal installation

SAFETY CONSIDERATIONS

Installation and servicing of air-conditioning equipment can be hazardous due to system pressure and electrical components. Only trained and qualified service personnel should install, repair, or service air-conditioning equipment.

Untrained personnel can perform the basic maintenance functions. All other operations should be performed by trained service personnel. When working on air-conditioning equipment, observe precautions in the literature, tags and labels attached to the unit, and other safety precautions that may apply.

Follow all safety codes. Wear safety glasses and work gloves.

Recognize safety information. This is the safety-alert symbol . When you see this symbol on the unit and in instructions or manuals, be alert to the potential for personal injury.

Understand the signal words DANGER, WARNING, and CAUTION. These words are used with the safety-alert symbol. DANGER identifies the most serious hazards which **will** result in severe personal injury or death. WARNING signifies a hazard which **could** result in personal injury or death. CAUTION is used to identify unsafe practices which **may** result in minor personal injury or product and property damage. NOTE is used to

highlight suggestions which **will** result in enhanced installation, reliability, or operation.

WARNING

ELECTRICAL SHOCK HAZARD

Failure to follow this warning could result in personal injury and/or death.

Disconnect power supply and install lockout tag before attempting to install accessory.

GENERAL

Barometric relief dampers are a standard feature included with the economizers listed in PACKAGE USAGE table. When the economizer is used in a vertical return application a relief damper hood is not required. In a horizontal return applications the relief damper must be field mounted to the horizontal return duct and the CRBARHOD001A00 is mounted over the damper.

Refer to PACKAGE USAGE and PACKAGE CONTENTS table.

INSTALLATION

1. For field installed economizer install economizer per instructions provided.
2. Install field provided horizontal ductwork onto unit. Duct height must be at least 19-1/2" high, however duct can be no taller than top of relief opening in bottom panel (otherwise airflow into outside air hood will be restricted). (See Fig. 1.)
3. Cut 16" x 36" opening in return duct for relief damper. (See Fig. 1.)
4. On the field installed economizer (CRECOMZR05*A00), a birdscreen or hardware cloth is shipped attached to the bottom panel used for vertical applications.
NOTE: This panel is not used for horizontal return applications. Remove the screen from the provided panel and install it over the relief opening cut in return duct.
5. Using the blade brackets, install the relief damper onto the side of the return duct. (See Fig. 3.) The

brackets and relief damper are provided with the economizer.

6. Using the provided hardware, screw the CRBARHOD001A00 hood 6. sides and top together. (See Fig. 2.)
7. Caulk the backside of the mating flanges to ensure a watertight seal. Install the CRBARHOD001A00 over the relief damper and screw to return duct. (See Fig. 3.)

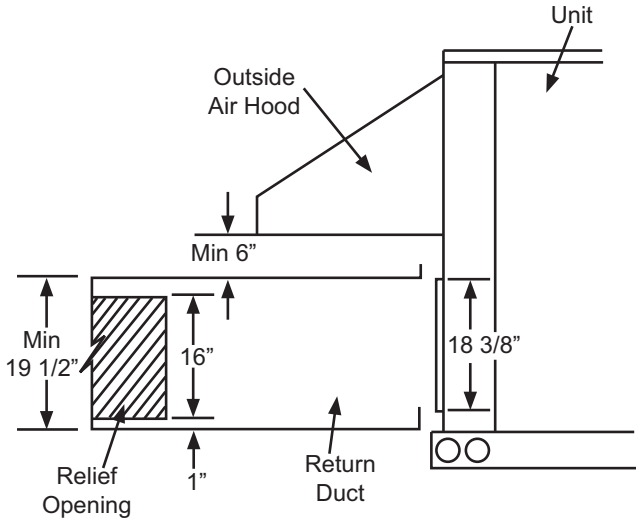


Fig. 1 - Relief Damper

C09629

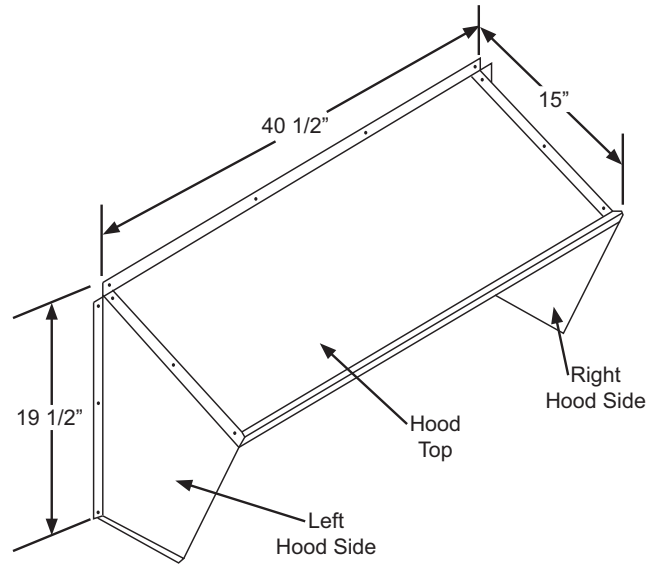


Fig. 2 - CRBARHOD001A00 Hood Sides and Top

C09630

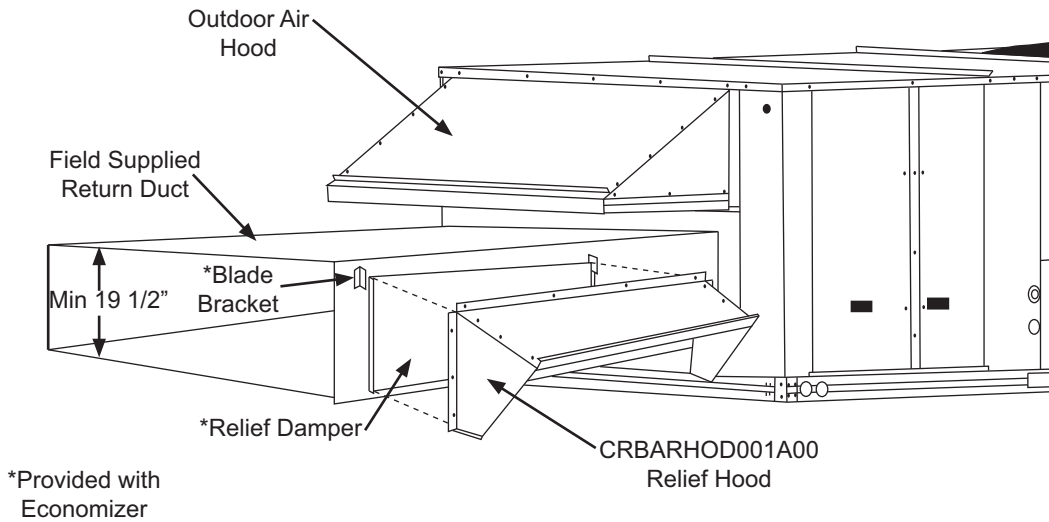


Fig. 3 - Installing CRBARHOD001A00 Over Relief Damper

C09631