

CRMANDPR011A00  
CRMANDPR001A02  
CRMANDPR002A02  
CRMANDPR001A03  
CRMANDPR002A03

SMALL ROOFTOP UNITS  
GAS HEATING/ELECTRIC COOLING  
AND HEAT PUMP UNITS  
2 TO 12 1/2 TONS (50/60HZ)  
ACCESSORY MANUAL OUTDOOR AIR DAMPER


## Installation Instructions

### SAFETY CONSIDERATIONS

Installation and servicing of air-conditioning equipment can be hazardous due to system pressure and electrical components. Only trained and qualified service personnel should install, repair, or service air-conditioning equipment.

Untrained personnel can perform the basic maintenance functions. All other operations should be performed by trained service personnel. When working on air-conditioning equipment, observe precautions in the literature, tags and labels attached to the unit, and other safety precautions that may apply.

Follow all safety codes. Wear safety glasses and work gloves.

Recognize safety information. This is the safety-alert symbol . When you see this symbol on the unit and in instructions or manuals, be alert to the potential for personal injury.

Understand the signal words DANGER, WARNING, and CAUTION. These words are used with the safety-alert symbol. DANGER identifies the most serious hazards which **will** result in severe personal injury or death. WARNING signifies a hazard which **could** result in personal injury or death. CAUTION is used to identify unsafe practices which **may** result in minor personal injury or product and property damage. NOTE is used to highlight suggestions which **will** result in enhanced installation, reliability, or operation.

### WARNING

#### ELECTRICAL SHOCK HAZARD

Failure to follow this warning could cause personal injury and/or death.

Before beginning any modification, be certain that the main-line electrical disconnect switch is in the OFF position. Close the main gas supply shutoff valve. Tag disconnect switch and gas valve with suitable warning labels.

### CAUTION

#### CUT HAZARD

Failure to follow this caution may result in personal injury.

Sheet metal parts may have sharp edges or burrs. Use care and wear appropriate protective clothing, safety glasses and gloves when handling parts and servicing heat pump units.

### CAUTION

#### PROPERTY DAMAGE HAZARD

Failure to follow this caution may result in damage to roofing materials.

Membrane roofs can be cut by sharp sheet metal edges. Be careful when placing any sheet metal parts on such roof.

### UNIT CONFIGURATION TABLE

UNIT CONFIGURATION	UNIT FOOTPRINT SIZE
Small Cabinet	46 3/4" x 74 3/8"
Large Cabinet	58 1/2" x 88 1/8"
Extra Large Cabinet	63 3/8" x 115 7/8"

### GENERAL

**IMPORTANT:** Read these instructions completely before attempting to install the accessory manual outdoor air damper. These instructions are applicable to both vertical and horizontal applications.

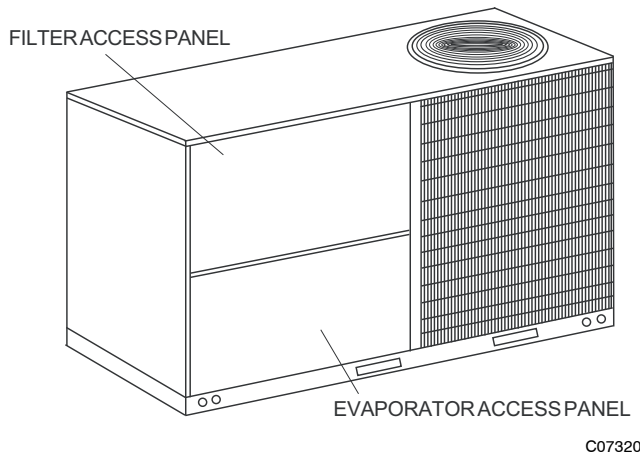
Part numbers for the manual outdoor air damper accessory differ only by the last 6 characters, therefore they will be referred to in this document by their last 4 to 6 characters. For example, CRMANDPR002A03 will be referred to as either "002A" when referring to its series or "002A03" when referring to its specific part number.

## PACKAGE USAGE AND CONTENTS

UNIT CONFIGURATION	DAMPER PACKAGE PART NO.	PACKAGE CONTENTS
Small Cabinet R-410A and R-22 Units	CRMANDPR001A02	1 - Hood top 2 - Hood sides 1 - Screen — outdoor—air inlet 1 - Damper panel assembly (with outdoor—air damper blade attached)
	CRMANDPR001A03	1 - Outdoor—air opening panel 1 - Seal strip, roll
Large Cabinet R-410A and R-22 Units	CRMANDPR002A02	1 - Hood top 2 - Hood sides 1 - Hood cap 2 - Screen — outdoor—air inlet 1 - Screen rest
	CRMANDPR002A03	1 - Damper panel assembly (with outdoor—air damper blade attached) 1 - Outdoor—air opening panel 1 - Seal strip, roll
Extra—Large Cabinet R-410A Units	CRMANDPR011A00	1 - Hood top 2 - Hood sides 1 - Hood cap 2 - Screen — outdoor—air inlet 1 - Screen rest 1 - Damper panel assembly (with outdoor—air damper blade attached) 1 - Seal strip, roll

### INSTALLATION

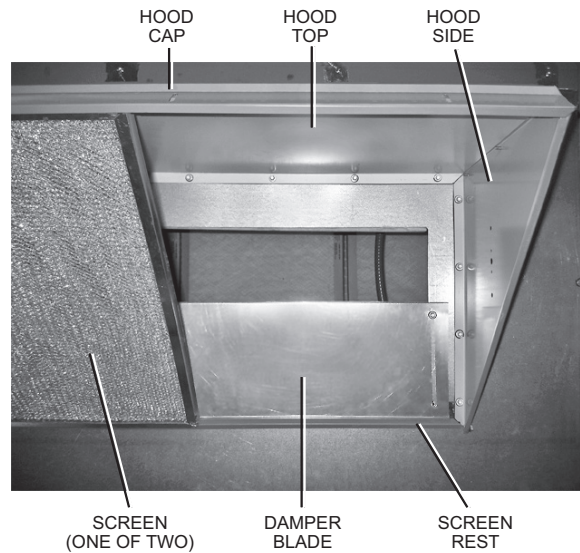
1. Turn off unit power and lock out. Electrical shock and personal injury could result.
2. Remove filter access panel by raising panel and swinging panel outward. Panel is now disengaged from track and can be removed. No tools are required to remove filter access panel. Remove evaporator access panel. Save screws and discard panel. (See Fig.1.)



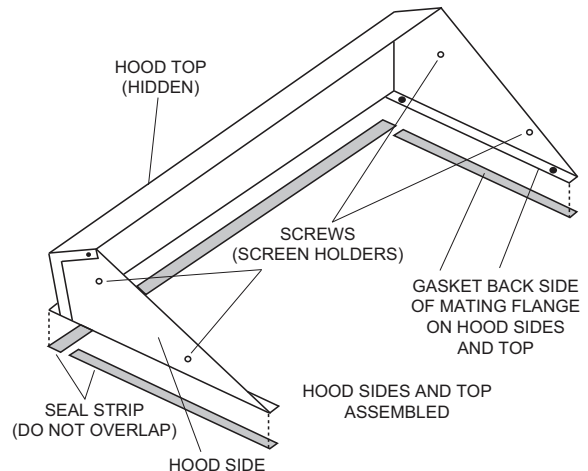
**Fig. 1 - Typical Access Panel Locations**

3. Remove hood sides and top, (Fig.2 and Fig. 3), screen, and damper panel with damper blade attached from accessory package.
4. Attach the two (2) hood sides to the hood top with the screws provided.

**NOTE:** Hood side flanges turn inward. Attach provided gasketing to the back side of hood mating flanges. Do not attach hood assembly to unit at this time.



**Fig. 2 - 011A00 Installed — One Screen Removed**



**Fig. 3 - Outdoor-Air Hood Details**

5. Attach damper panel with outdoor-air damper blade to outdoor-air opening panel provided as shown in Fig. 4. Do not insert side screws at this time. Secure panel using 4 screws provided on the bottom. (See Fig. 4.)

**For 011A00 ONLY** — Skip step 5 as the damper and outdoor air opening Panel are combined into one piece for the 011A00 kit.

6. Adjust minimum position setting of the outdoor damper blade by adjusting screws on the front of the blade. (See Fig. 4.) Slide blade vertically until blade is in the position determined by Fig. 5 or 6. Tighten screws.

7. Attach assembled hood with seal strips to the damper panel. (See Fig. 7.) Use screws provided.

8. Install outdoor-air opening panel with screws saved in Step 1.

9. Replace filter access panel.

10. Install the outdoor air inlet screens:

**For 001A Dampers** — Attach the single screen with the 4 screws provided (see Fig. 8).

**For 002A and 011A Dampers** — Slide the two non-identical screens down the lips on the hood sides until they butt up against the screen rest while supporting them in the middle.

Lay the hood cap over the top of the 2 screws, seal side down and screw in place to trap the screens.

11. Reverse the lock out/tag out procedure (from step 1) and reapply unit power.

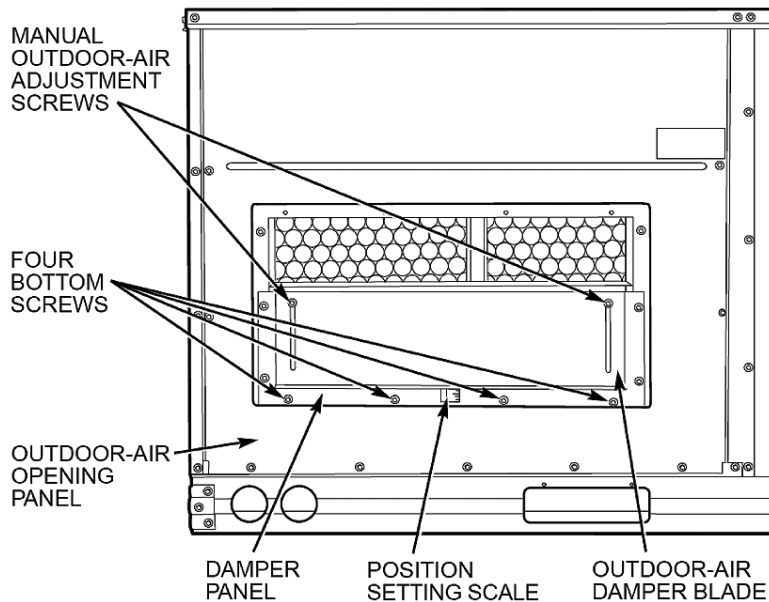


Fig. 4 - Damper Panel Installed — 001A and 002A Series

C07322

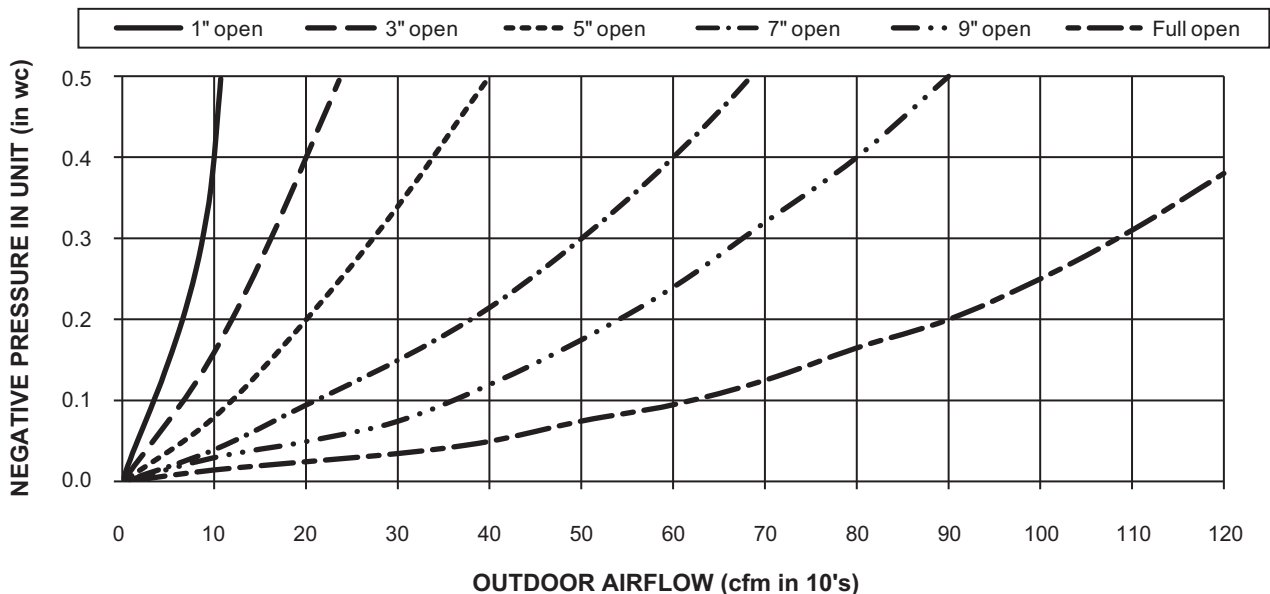
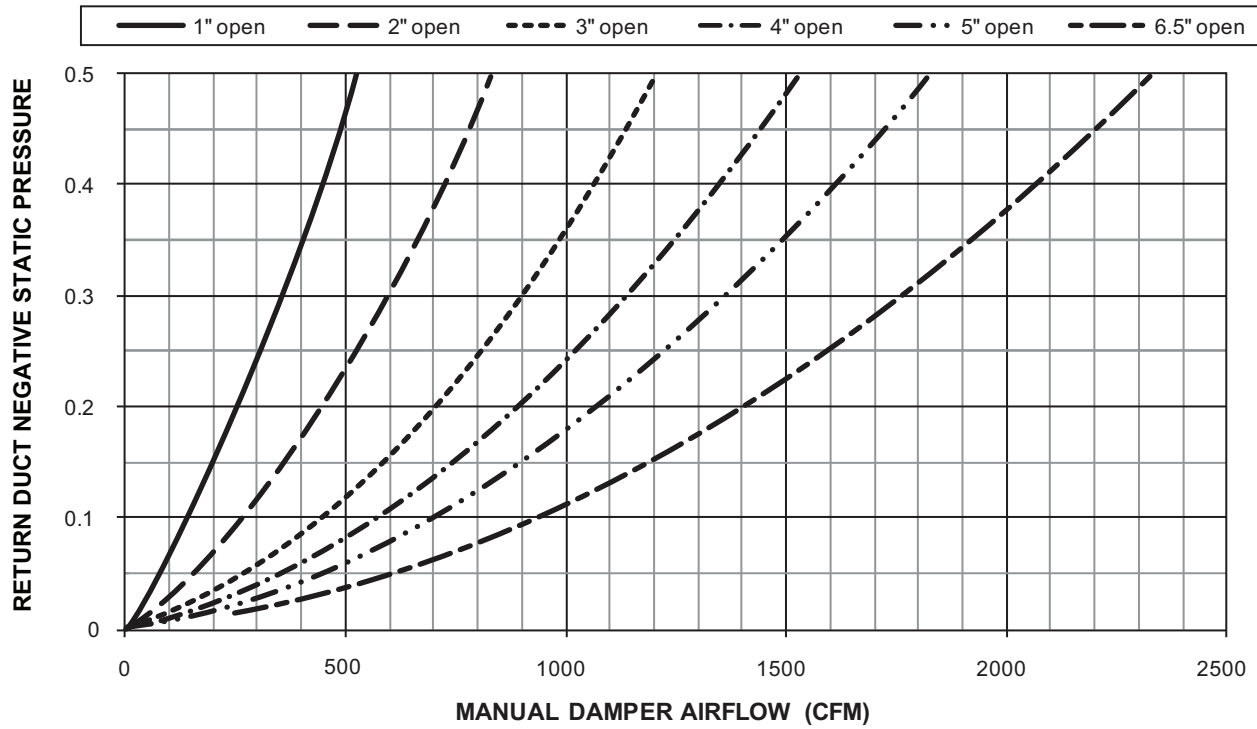


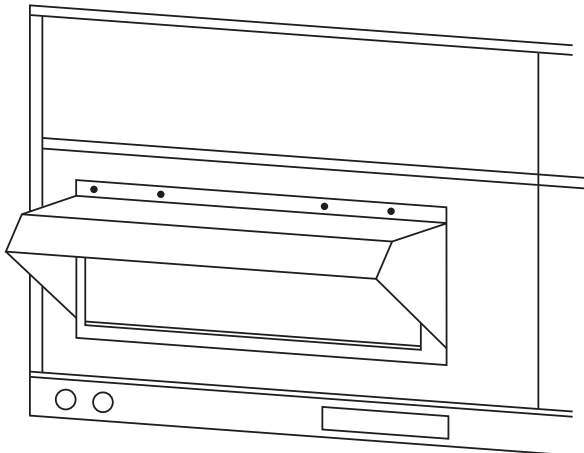
Fig. 5 - Outdoor-Air Intake Position Setting — 001A Series

C10447



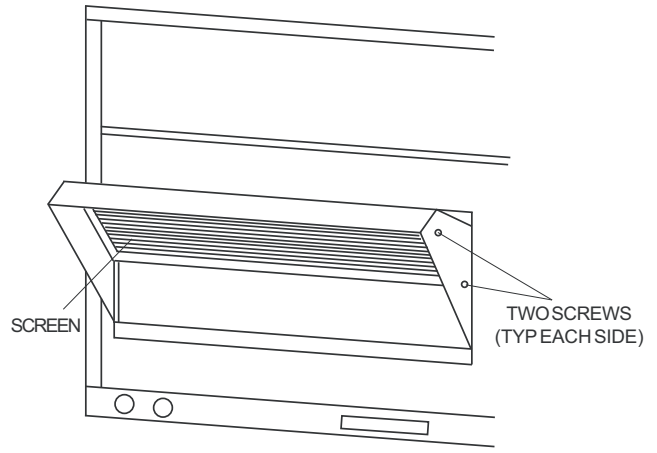
**Fig. 6 - Outdoor-Air Intake Position Setting — 002A and 011A Series**

C10448



C07325

**Fig. 7 - Manual Outdoor-Air Damper Hood Attached — 002A and 011A Series**



C07326

**Fig. 8 - Screen Installed — 001A Series**