

**CRLVHLGD017A00
 CRLVHLGD018A00
 CRLVHLGD019A00
 CRLVHLGD026A00-
 CRLVHLGD031A00**

**ACCESSORY LOUVERED HAIL GUARD
 GAS HEAT/ELECTRIC COOLING,
 ELECTRIC COOLING AND
 HEAT PUMP ROOFTOP UNITS
 15 to 28 TONS**

Installation Instructions

IMPORTANT: Read these instructions completely before attempting to install the accessory louvered hail guard.

PACKAGE CONTENTS- CRLVHLGD017A00, 018A00

QTY	DESCRIPTION
2	Side Panel, Coil
2	End Panel, Coil
12	Plastic Grommet
24	Screws 10AB x 3/4 LG
4	Wire Tie

CRLVHLGD019A00

QTY	DESCRIPTION
2	Side Panel, Coil
2	End Panel, Coil
18	Plastic Grommet
30	Screws 10AB x 3/4 LG
6	Wire Tie

CRLVHLGD026A00, 027A00

QTY	DESCRIPTION
2	Side Panel, Coil
2	End Panel, Coil
12	Plastic Grommet
24	Screws 10AB x 3/4 LG
4	Wire Tie

CRLVHLGD028A00

QTY	DESCRIPTION
2	Side Panel, Coil
2	End Panel, Coil
18	Plastic Grommet
30	Screws 10AB x 3/4 LG
6	Wire Tie

CRLVHLGD029A00

QTY	DESCRIPTION
4	Side Panel, Coil
2	End Panel, Coil
18	Plastic Grommet
30	Screws 10AB x 3/4 LG
6	Wire Tie

CRLVHLGD030A00

QTY	DESCRIPTION
2	Side Panel, Coil
2	End Panel, Coil
12	Plastic Grommet
24	Screws 10AB x 3/4 LG
4	Wire Tie

CRLVHLGD031A00

QTY	DESCRIPTION
2	Side Panel, Coil
2	End Panel, Coil
18	Plastic Grommet
30	Screws 10AB x 3/4 LG
6	Wire Tie

PACKAGE USAGE


The package usage tables are located at the end of the document.

SAFETY CONSIDERATIONS

Installation and servicing of air-conditioning equipment can be hazardous due to system pressure and electrical components. Only trained and qualified service personnel should install, repair, or service air-conditioning equipment.

Untrained personnel can perform basic maintenance functions of cleaning coils and filters and replacing filters. All other operations should be performed by trained service personnel. When working on air-conditioning equipment, observe precautions in the literature, tags and labels attached to the unit, and other safety precautions that may apply.

Follow all safety codes. Wear safety glasses and work gloves.

Recognize safety information. This is the safety-alert symbol . When you see this symbol on the unit and in instructions or manuals, be alert to the potential for personal injury.

Understand the signal words DANGER, WARNING, and CAUTION. These words are used with the safety-alert symbol. DANGER identifies the most serious hazards which **will** result in severe personal injury or death. WARNING signifies a hazard which **could** result in personal injury or death. CAUTION is used to identify unsafe practices which **may** result in minor personal injury or product and property damage. NOTE is used to highlight suggestions which **will** result in enhanced installation, reliability, or operation.

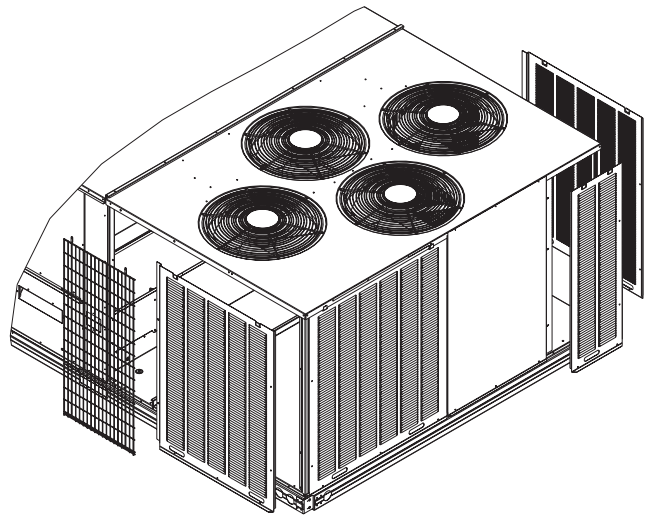
WARNING

ELECTRICAL OPERATION HAZARD

Failure to follow this warning could result in personal injury or death.

Before performing service and maintenance operations on unit, turn off main power switch to unit. If gas unit, shut off gas supply before shutting off main power.

TAG DISCONNECT SWITCH WITH A SUITABLE LOCKOUT TAG AND WARNING LABEL.



C09482

**Fig. 1 - Hail Guard Installation
(024 Size Shown)**

GENERAL

Louvered hail guard packages are designed to protect the rooftop unit condenser coil from hail and general contact damage. Excessive damage to rooftop unit outdoor coils can result in diminished performance due to reduced air flow over the heat transfer surfaces.

INSTALLATION

1. Verify the correct hail guard part number is provided for the desired rooftop unit size. See Package Usage table at end of instruction.
2. Remove shipping covers from unit.
3. Remove wire grills from unit and save screws. (See Fig. 1.)
4. Insert (4) plastic grommets in the square holes of each corner post as shown in Fig. 2.

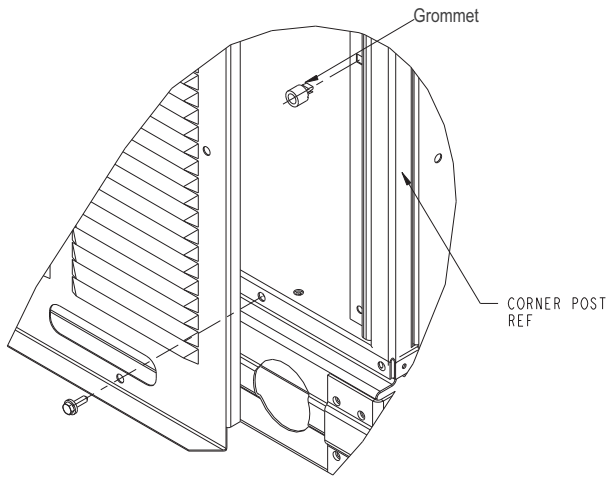


Fig. 2 - Grommets in Corner Post

C09479

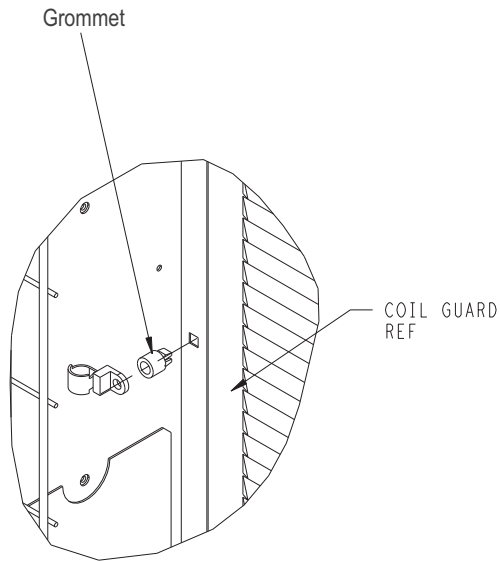


Fig. 3 - Grommets in Side Guards

C09480

5. Insert (2) plastic grommets in the square holes of the two side guards of the kit. (See Fig. 3.)
6. Using screws provided with kit, install end panels. Engage top notch in each panel to top cover flange as shown in Fig. 4. Drive screws through panel and into basepan and plastic grommets in post.
7. Install side panels engaging notch in top of panel as shown in Fig. 4. Install screws through panel into basepan and grommets previously installed.
8. Re-install wire guards using wire ties provided in kit. Wrap wire tie around spine of grill, aligning hole in wire tie with plastic grommet. Secure with screws from kit.
9. Restore power to unit.

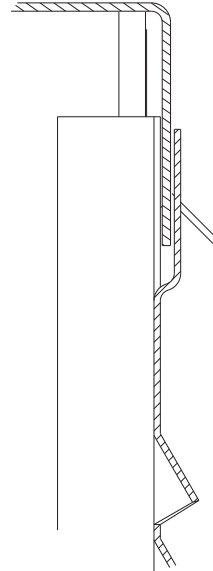


Fig. 4 - Side Panels Installed in Top of Panel

C09481

PACKAGE USAGE-CARRIER

Hailguard	Model	Unit Size	Coil Type
CRLVHLGD017A00	50TCQ	17	Round tube plate fin
	48TC	17	Round tube plate fin, Novation
	48TC	20	Round tube plate fin, Novation
	50TC	17	Round tube plate fin, Novation
	50TC	20	Round tube plate fin, Novation
	48HC	17	Round tube plate fin
	50HC	17	Round tube plate fin
CRLVHLGD018A00	48TC	24	Novation
	50TC	24	Novation
CRLVHLGD019A00	48TC	28	Novation
	50TC	28	Novation
CRLVHLGD026A00	50TCQ	24	Round tube plate fin
CRLVHLGD027A00	48TC	24	Round tube plate fin
	50TC	24	Round tube plate fin
CRLVHLGD028A00	48TC	28	Round tube plate fin
	50TC	28	Round tube plate fin
CRLVHLGD029A00	48TC	30	Round tube plate fin
	50TC	30	Round tube plate fin
	48HC	28	Round tube plate fin
	50HC	28	Round tube plate fin
CRLVHLGD030A00	48HC	20	Round tube plate fin
	50HC	20	Round tube plate fin
CRLVHLGD031A00	48HC	24	Round tube plate fin
	50HC	24	Round tube plate fin

PACKAGE USAGE-ICP

Hailguard	Model	Unit Size	Coil Type
CRLVHLGD017A00	RHS	181, 183	Round tube plate fin
	RGS	181, 183	Round tube plate fin, MCHX
	RGS	210, 213	Round tube plate fin, MCHX
	RAS	181, 183	Round tube plate fin, MCHX
	RAS	210, 213	Round tube plate fin, MCHX
	RGH	181, 183	Round tube plate fin
	RAH	181, 183	Round tube plate fin
CRLVHLGD018A00	RGS	240, 243	MCHX
	RAS	240, 243	MCHX
CRLVHLGD019A00	RGS	300, 303	MCHX
	RAS	300, 303	MCHX
CRLVHLGD026A00	RHS	240, 243	Round tube plate fin
CRLVHLGD027A00	RGS	240, 243	Round tube plate fin
	RAS	240, 243	Round tube plate fin
CRLVHLGD028A00	RGS	300, 303	Round tube plate fin
	RAS	300, 303	Round tube plate fin
CRLVHLGD029A00	RGS	333, 336	Round tube plate fin
	RAS	333, 336	Round tube plate fin
	RGH	300, 303	Round tube plate fin
	RAH	300, 303	Round tube plate fin
CRLVHLGD030A00	RGH	210, 213	Round tube plate fin
	RAH	210, 213	Round tube plate fin
CRLVHLGD031A00	RGH	240, 243	Round tube plate fin
	RAH	240, 243	Round tube plate fin

PACKAGE USAGE-BRYANT

Hailguard	Model	Unit Size	Coil Type
CRLVHLGD017A00	548J	17	Round tube plate fin
	580J	17	Round tube plate fin, Novation
	580J	20	Round tube plate fin, Novation
	558J	17	Round tube plate fin, Novation
	558J	20	Round tube plate fin, Novation
	581J	17	Round tube plate fin
	551J	17	Round tube plate fin
CRLVHLGD018A00	580J	24	Novation
	558J	24	Novation
CRLVHLGD019A00	580J	28	Novation
	558J	28	Novation
CRLVHLGD026A00	548J	24	Round tube plate fin
CRLVHLGD027A00	580J	24	Round tube plate fin
	558J	24	Round tube plate fin
CRLVHLGD028A00	580J	28	Round tube plate fin
	558J	28	Round tube plate fin
CRLVHLGD029A00	580J	30	Round tube plate fin
	558J	30	Round tube plate fin
	581J	28	Round tube plate fin
	551J	28	Round tube plate fin
CRLVHLGD030A00	581J	20	Round tube plate fin
	551J	20	Round tube plate fin
CRLVHLGD031A00	581J	24	Round tube plate fin
	551J	24	Round tube plate fin