

TOSHIBA INSTALLATION MANUAL

Carrier

Ceiling panel

MODEL: RBC-U31PG(W)-UL

Precautions for Safety

- The product and this manual are provided with important safety notices to ensure safe use and protect the user and other people from hazards and preclude damage to property.
Be sure that you fully understand the following contents (expressions and graphic symbols) and read this manual carefully. Always observe the precautions.

WARNING

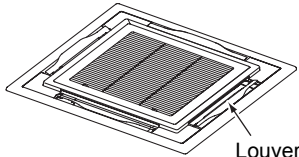
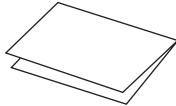
- Ask an authorized dealer or qualified installation professional to install the ceiling panel.**
Inappropriate installation may result in water leakage, electric shock or fire if you install it by yourself.
- Carry out an installation work securely according to this Installation Manual.**
Inappropriate installation may result in water leakage, electric shock or fire.
- Attach the ceiling panel on a ceiling that withstands the weight of the ceiling panel.**
Insufficient strength may cause a fall of the unit, which may result in injury.
- Electrical work must be performed by a qualified electrician in accordance with the Installation Manual. Make sure the air conditioner uses an exclusive power supply.**
The capacity shortage of the power circuit or improper electrical work may result in electric shock or fire.
- Connect the specified wires firmly and clamp them securely so that external force applied to the wires does not affect the connector pins.**
Improper wire connection or clamping may result in fire or malfunction.
- Be sure to ground the equipment.**
Do not connect the earth line to a gas pipe, water pipe, lightning conductor, or a telephone ground wire.
Improper grounding may result in electric shock.
- Never modify or repair the product.**
Improper modification or repair may result in electric shock or fire.

EN

CAUTION

- Wear heavy work gloves during the installation work to avoid injury.**

Components

Part name	Ceiling panel	Installation manual
Quantity	1	1
Shape	 Louver	 This manual

REQUIREMENT

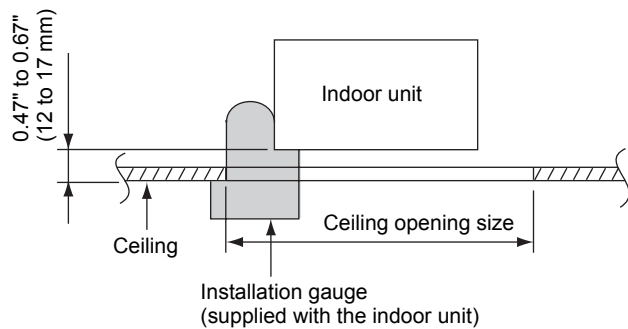
Do not apply excessive force to the louver, as it may cause a malfunction.

1. Preparation for Attaching Ceiling panel

■ Checking Indoor Unit Position

1. Check the position of the indoor unit using the Installation Manual.
 2. Check whether the ceiling opening size falls within a range of 33.9" x 33.9" to 35.8" x 35.8" (860 x 860 mm to 910 x 910 mm).
 3. Determine the positional relation between the ceiling and the indoor unit using the installation gauge supplied with the indoor unit. Improper positioning of the indoor unit may result in air/water leakage or malfunction of the louver.
- **Do not put the ceiling panel facing down or lean it against a wall, etc. or put it on an object with projection to avoid scratches on the surface. Handle the ceiling panel carefully so as not to deform the movable hooks.**

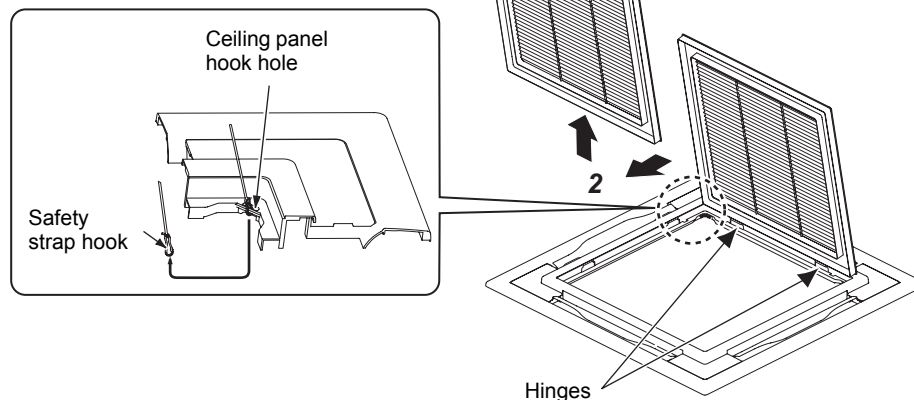
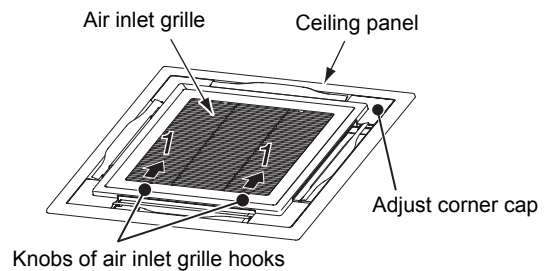
This clearance must be 0.47" to 0.67" (12 to 17 mm)
A clearance outside this range may cause malfunction.



2. Attaching Ceiling panel to Indoor Unit

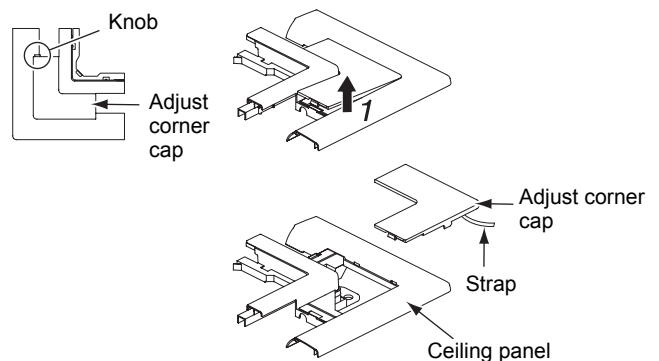
a Detaching Air Inlet Grille

1. Slide the knobs of the hooks of the air inlet grille in the direction of arrow **1**, and open the grille.
2. Release the safety strap hook from the ceiling panel.
 - **Do not remove the safety strap screw on the air inlet grille side.**
3. Remove the hinges on the air inlet grille from the ceiling panel in the direction of arrow **2** with the grille open.



b Detaching Adjust Corner Caps

1. Pull the knob of the adjust corner cap in the direction of arrow **1**, and detach the adjust corner caps from the four corners.
 - The knob is provided only on one side of the cap. Detach the adjust corner caps from the knob side.



c Checking Panel Fixing Bracket Position

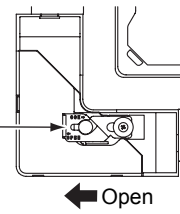
After the adjust corner caps are detached, check that the panel fixing bracket is open (Fig. 1).

- The ceiling panel cannot be attached to the indoor unit with the bracket closed (Fig. 2).

(Fig. 1)

Open
Keep the bracket open.

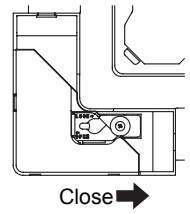
Panel fixing bracket



(Fig. 2)

Closed

Close



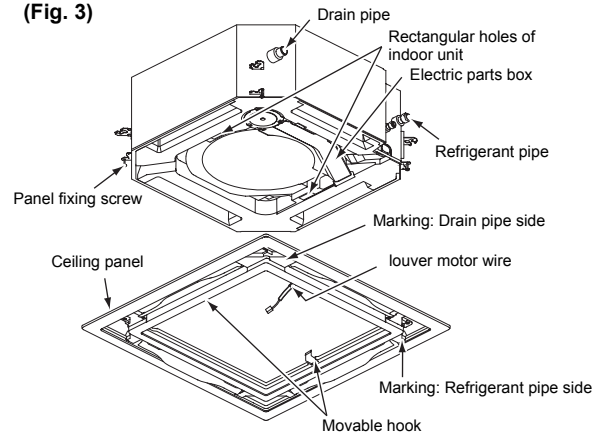
d Attaching Ceiling panel

In this section, install the indoor unit, connect the indoor/outdoor unit connecting cable and the remote controller wire and attach the electric parts box cover. (Refer to the installation manual of the indoor unit for the details.)

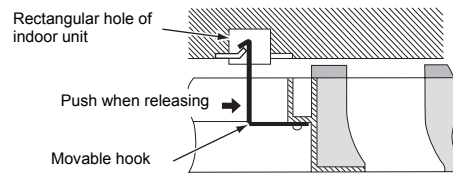
Do not apply excessive force to the louver when attaching the ceiling panel, as it may cause malfunction of the louver.

- Insert the two movable hooks at the inside of the ceiling panel into the rectangular holes of the indoor unit, and hook them tentatively onto the indoor unit. (Fig. 3 and Fig. 4)
 - The ceiling panel has an orientation to the indoor unit for installation. Attach the ceiling panel so that the louver motor wire comes to the electric parts box side.
 - To detach the ceiling panel, push the movable hooks outward while holding the ceiling panel.
- Lift the corner of the panel inner frame and insert the panel fixing screw of the indoor unit into the panel fixing bracket hole (Fig. 5). Then slide the panel fixing bracket in the direction of arrow and push it to the specified position (Fig. 6). Repeat this procedure for the four panel fixing brackets.
 - Slide the panel fixing bracket while keeping the screw head lower than the bracket.
 - The panel fixing screws have been attached to the indoor unit since its shipping.
- Tighten the four panel fixing screws to secure the ceiling panel until it comes into close contact with the indoor unit. (Fig. 7)
- Check that the ceiling panel is in close contact with the ceiling.
 - Make sure that there is no gap between indoor unit and ceiling panel and between ceiling panel and bottom of the ceiling. (Fig. 8)

(Fig. 3)

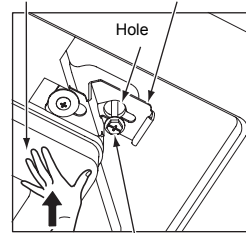


(Fig. 4)



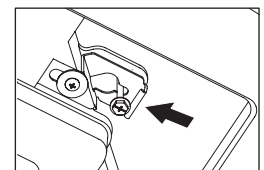
(Fig. 5)

Panel inner frame Panel fixing bracket



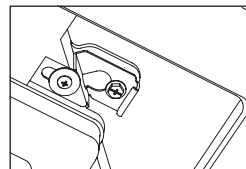
Lift the panel inner frame to make the screw head visible.

(Fig. 6)



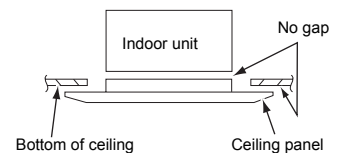
Push the panel fixing bracket securely.

(Fig. 7)



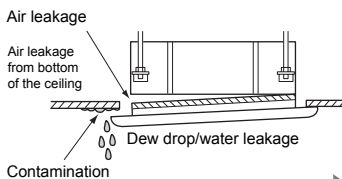
Tighten the panel fixing screw.

(Fig. 8)

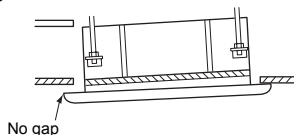


CAUTION

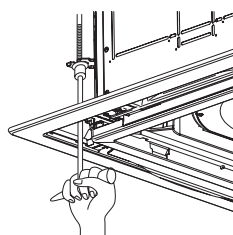
- Insufficient tightening of the screws may result in the following problems. Tighten the screws securely.



- If a gap between ceiling panel and bottom of the ceiling still remains after the screws are tightened, readjust the height of the indoor unit.



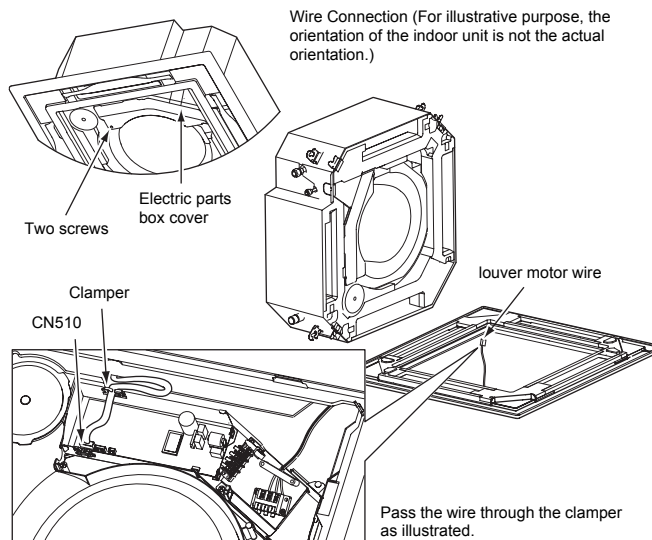
The height of the indoor unit can be adjusted from the corner holes of the ceiling panel without detaching the panel, provided that the levelness of the indoor unit and the drain pipe are not affected.



After the adjustment of height, tighten the nuts of the indoor unit securely.

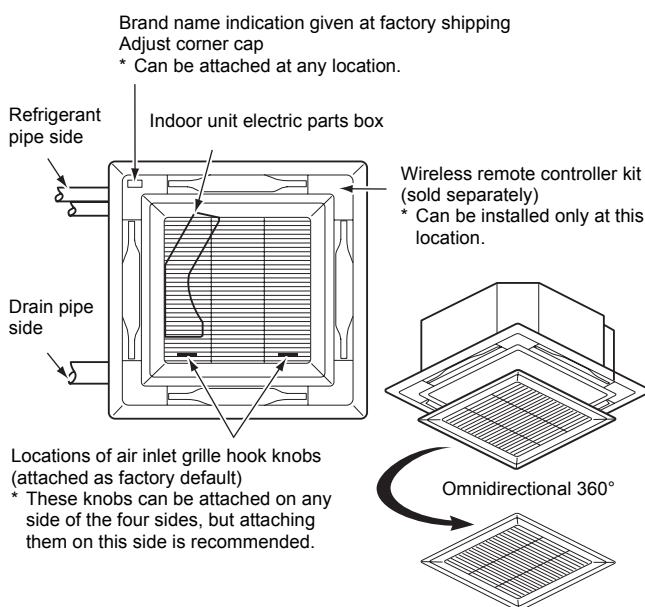
e Connecting wires of Ceiling panel

1. Remove the two screws of the electric parts box cover, and detach the electric parts box cover by pressing the hook. (The electric parts box cover is clamped onto the hinge.)
2. Pass the louver motor wire from the ceiling panel through the clamber as shown, and connect the wire to the white 20P connector CN510 on the P.C. board of the indoor unit.
 - **Connect the wire firmly to the connector to ensure operation of the louver.**
3. Attach the electric parts box cover by reversing the procedure of detaching.
 - **Make sure that no wire is caught between the electric parts box and the cover.**
 - **Make sure that no wire is caught between the indoor unit and the ceiling panel.**



f Attaching Adjust Corner Caps and Air Inlet Grille

- According to customer requirements, the grille orientation of the air inlet grille and the location of the company name indication on the adjust corner cap can be changed as shown in the figure (right) for installation of multiple units. However, the Wireless remote controller kit (separate sold parts) can be installed only at the diagonal corner of the drain pipe of the indoor unit. If the Kit is installed at another location, it may cause malfunction of the Kit.

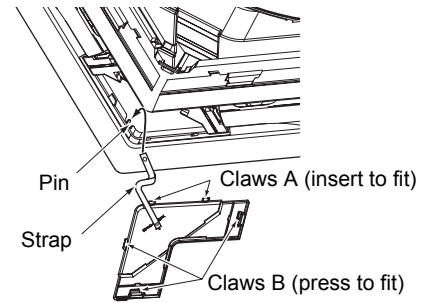


Attaching adjust corner caps

Hook the strap of the adjust corner cap securely to the pin of the ceiling panel.

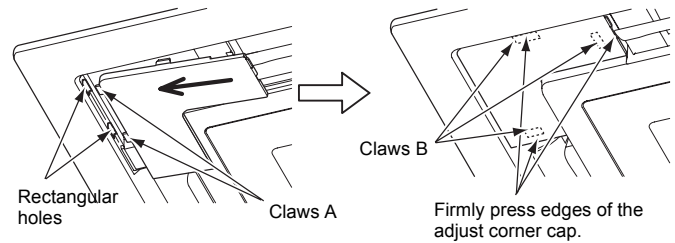
CAUTION

- **Press the three claws B of the adjust corner cap firmly as far as they will go, and then check that the adjust corner cap is closely attached. Failure to do so may result in water leakage.**



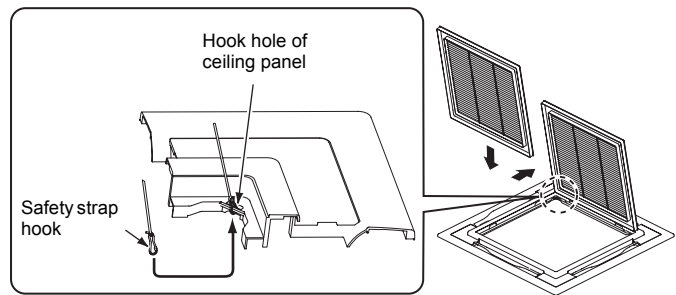
Insert the two claws A of the adjust corner cap into the rectangular holes of the ceiling panel in the direction of arrow.

Press the adjust corner cap so that the three claws B on the back of the cap are fitted.



Attaching air inlet grille

- Attach the air inlet grille by reversing the procedure of its removal. The air inlet grille of this ceiling panel can be attached in four patterns by turning the grille. Select the orientation of the grille for alignment when multiple ceiling panels are attached or according to customer requirements.
- **Attach the air inlet grille so as not to catch the louver motor wire.**
- **Be sure to attach the safety strap of the air inlet grille to the ceiling panel.**



EN

3. Other Descriptions

Checks after Installation

- Reconfirm that there is no gap between indoor unit and ceiling panel or between ceiling panel and bottom of ceiling.
 - * Such gap may result in water leakage or dew drop.
- Confirm that all wires are connected correctly and firmly.
 - * Otherwise, the louver does not work.
- Confirm that the claws of the adjust corner caps are fitted securely.
 - * Improper fitting may result in water leakage.

When Using Wireless Remote Controller

- For details of the installation, refer to the Installation Manual supplied with the Wireless remote controller kit (sold separately).

Delivery to Customer

- When the installation work has been completed, execute a test run to check for normal operation.
Then explain how to use and maintain the ceiling panel to the customer according to the Owner's Manual of the indoor unit.
Ask the customer to keep this installation manual with the Owner's Manual and Installation Manual of the indoor unit.

3. Autres descriptions

Vérifications après installation

- Vérifiez à nouveau qu'il n'y a pas de jeu entre l'unité intérieure et le panneau pour plafond, et entre le panneau pour plafond et la partie inférieure du plafond.
 - * S'il y a du jeu entre ces composants, une fuite d'eau risque de se produire.
- Confirmez que tous les câbles sont correctement raccordés.
 - * Dans le cas contraire, le volet ne fonctionnera pas.
- Vérifiez que les pinces des capuchons d'angle sont correctement enclenchées.
 - * Une fuite d'eau risque de se produire si ces pinces ne sont pas correctement enclenchées.

Lors de l'utilisation d'une télécommande sans fil

- Pour obtenir de plus amples informations sur l'installation, reportez-vous au Manuel d'installation fourni avec le kit de télécommande sans fil (vendu séparément).

Livraison finale

- Une fois les travaux d'installation terminés, effectuez un test afin de vérifier que l'appareil fonctionne normalement. Expliquez ensuite au client comment utiliser et assurer la maintenance du panneau pour plafond en suivant les instructions du Mode d'emploi de l'unité intérieure. Vérifiez que le client soit en possession de ce Manuel d'installation, ainsi que du Mode d'emploi et du Manuel d'installation de l'unité intérieure.