

CRRFCURB045A00
CRRFCURB046A00
CRRFCURB047A00
CRRFCURB048A00
CRRFCURB049A00
CRRFCURB050A00

ACCESSORY ROOF CURBS
SINGLE PACKAGE ROOFTOP UNITS
15 to 27.5 TONS

Installation Instructions

IMPORTANT: Read these instructions completely before attempting to install the accessory roof curb.

PACKAGE CONTENTS

CONTENTS	QTY
Curb Long Side	2
Curb Short Side	2
Curb End	2
Insulated Deck Panel (CHGT24M)	
– CRRFCURB045A00, CRRFCURB046A00	3
– CRRFCURB047A00, CRRFCURB048A00	4
– CRRFCURB049A00, CRRFCURB050A00	5
Long Support – 3–in. Wide	2
Long Support – 4–5/6–in. Wide	1
Short Support – Return	1
Insulated Deck Panel – Supply	1
Corner Brackets	8
Gasket Package	1

SAFETY CONSIDERATIONS

Installation and servicing of air-conditioning equipment can be hazardous due to system pressure and electrical components. Only trained and qualified service personnel should install, repair, or service air-conditioning equipment.


PACKAGE USAGE

CARRIER & BRYANT UNIT SIZE (Ton Size)	PART NUMBER	NOMINAL HEIGHT in. (mm)
17, 20 (15, 17.5)	CRRFCURB045A00	14 (356)
	CRRFCURB046A00	24 (610)
24, 28 (20, 25)	CRRFCURB047A00	14 (356)
	CRRFCURB048A00	24 (610)
30 (27.5)	CRRFCURB049A00	14 (356)
	CRRFCURB050A00	24 (610)

ICP UNIT SIZE (Ton Size)	PART NUMBER	NOMINAL HEIGHT in. (mm)
210, 213 (17.5)	CRRFCURB045A00	14 (356)
	CRRFCURB046A00	24 (610)
240, 243, 300, 303 (20, 25)	CRRFCURB047A00	14 (356)
	CRRFCURB048A00	24 (610)
336, 333 (27.5)	CRRFCURB049A00	14 (356)
	CRRFCURB050A00	24 (610)

Untrained personnel can perform the basic maintenance functions. All other operations should be performed by trained service personnel. When working on air-conditioning equipment, observe precautions in the literature, tags and labels attached to the unit, and other safety precautions that may apply.

Follow all safety codes. Wear safety glasses and work gloves.

Recognize safety information. This is the safety-alert symbol . When you see this symbol on the unit and in instructions or manuals, be alert to the potential for personal injury.

Understand the signal words DANGER, WARNING, and CAUTION. These words are used with the safety-alert symbol. DANGER identifies the most serious hazards which **will** result in severe personal injury or death. WARNING signifies a hazard which **could** result in personal injury or death. CAUTION is used to identify unsafe practices which **may** result in minor personal injury or product and property damage. NOTE is used to highlight suggestions which **will** result in enhanced installation, reliability, or operation.

INSTALLATION

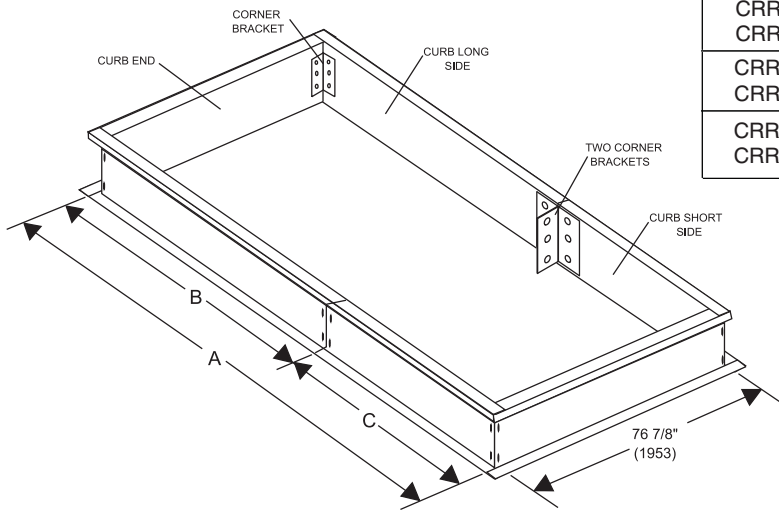
WARNING

PERSONAL INJURY AND EQUIPMENT DAMAGE HAZARD

Failure to follow this warning could result in personal injury and/or damage to equipment.

Do not leave roof opening uncovered. If installation is not completed immediately after roof opening is cut and framed, provide an adequate temporary cover for the roof opening.

1. Before installing roof curb, ensure that curb is located so that proper clearances are maintained. Ensure that roof structural integrity is capable of supporting weight of rooftop unit. Adding structural support to roof bracing may be necessary. Check unit nameplate or unit installation instructions for correct clearances.



	A in. (mm)	B in. (mm)	C in. (mm)
CRRFCURB045A00 CRRFCURB046A00	117-7/8 (2994)	80-7/8 (2054)	37 (940)
CRRFCURB047A00 CRRFCURB048A00	131-7/8 (3350)	80-7/8 (2054)	51 (1295)
CRRFCURB049A00 CRRFCURB050A00	148-1/8 (3762)	80-7/8 (2054)	67-1/4 (1708)

Fig. 1 - Roof Curb Frame Detail

C11433

2. Cut hole in roof for duct openings. See Fig. 3 for dimensions. It is not necessary to cut out the entire area of the roof curb. If utility connections are to be made through the curb, cut out the access space near the location of the utility plate connector.
3. Frame the roof opening to provide proper and adequate structural support.
4. Assemble the perimeter frame of the roof curb. Bring together a curb long side and a curb short side. Attach the two corner brackets to the curb long side and the curb short side using the hardware provided. (See Fig. 1.) Repeat for opposite side.
5. Bring together the curb side assembly and the curb end. Attach the corner bracket to the curb side and end using the hardware provided. (See Fig. 1.) Repeat for opposite end.
6. The curb is designed to allow for the insulated panels to be installed on either end of the curb. Install the deck panels on the compressor end of curb. See Package Contents for the number of panels used on each curb.

NOTE: For Fig. 2 and Fig. 3--The number of insulated deck panels varies per curb. See Package Contents on page 1 for details.

7. Install the long support on the curb per Fig. 3. Note the 4-5/16-in. wide support goes in the middle of the curb as shown in Fig. 3.
8. Install the insulated deck panel - return and the short support.
9. Square up the roof curb and position over the duct openings cut in Step 2. Level the roof curb by placing shims (thin pieces of wood or metal) under the

bottom flange of the curb. See Fig. 4 for unit leveling tolerances.

10. Secure curb in place by welding or screwing curb to the roof (field-supplied equipment required).
11. Attach ductwork to the curb. Ductwork **MUST** be installed before unit is placed on roof curb.
12. Weatherproof the roof curb. (See Fig. 5.)
 - a. Insulate the outside of the curb space between the roof material and the roof curb to prevent moisture from forming on the roof curb sides.
 - b. Insert the top edge of roofing and flashing material between wood nailer strip and roof curb flange. Nail material to wood nailer on roof curb as required.
13. Install sealing gasket on the top of the curb and duct supports. When installed, the weight of the unit will compress the gasket to seal the joint between the unit and the roof curb. Gasket strips must fit tightly together to leave no gaps for leakage. (See Fig. 3.)

IMPORTANT: Gasketing is critical for water integrity. Improperly installed gasketing can result in air leaks and poor unit performance.

⚠ CAUTION

EQUIPMENT DAMAGE HAZARD

Failure to follow this caution may result in property damage.

Do not slide unit into position when it is sitting on the curb. Curb gasketing material may be damaged and leaks may result.

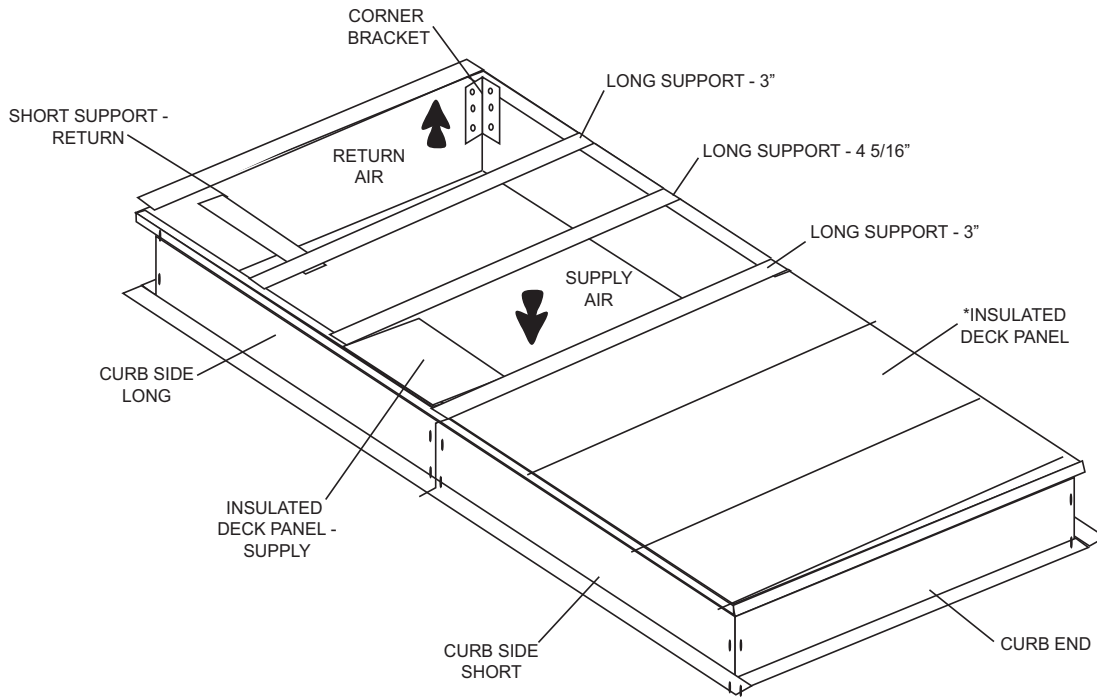
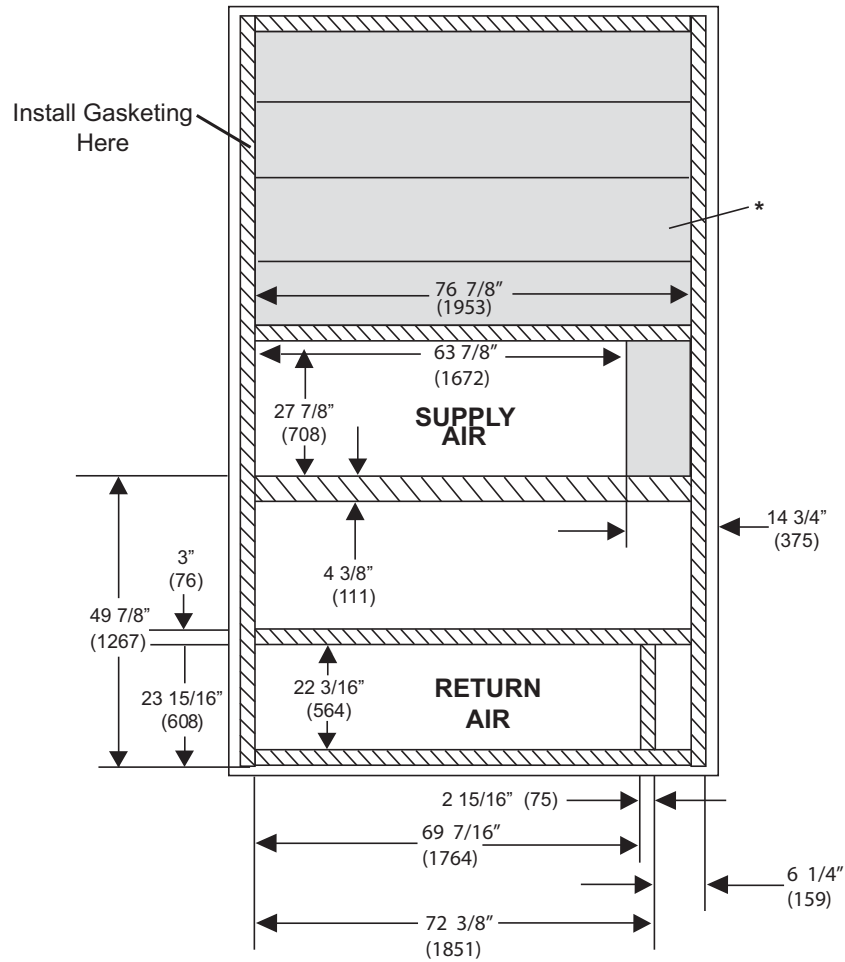


Fig. 2 - Support and Deck Pan Detail

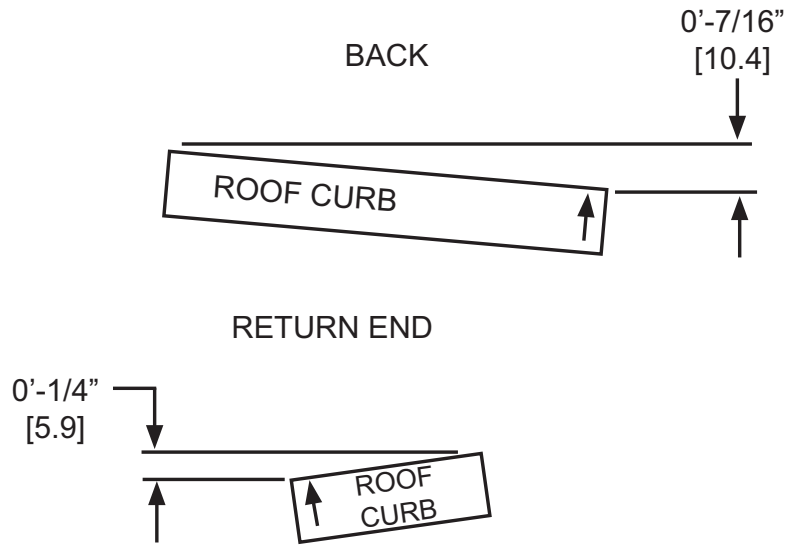
C09474



Dimensions in () are in mm.

Fig. 3 - Roof Curb Dimensions

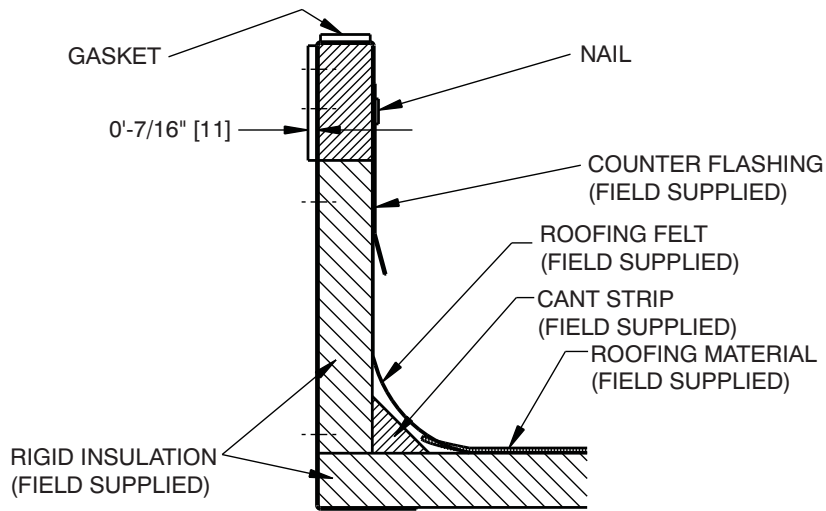
C11434



NOTE: Dimensions in [] are in mm.

Fig. 4 - Unit Leveling Tolerances

C09476



NOTE: Dimensions in [] are in mm.

Fig. 5 - Roof Curb Weather Proofing

C06371