

**CRLVHLGD017A00
CRLVHLGD018A00
CRLVHLGD019A00**

**ACCESSORY LOUVERED HAIL GUARD
GAS ELECTRIC/COOLING
MEDIUM ROOFTOP UNITS
15 to 25 TONS**

Installation Instructions

IMPORTANT: Read these instructions completely before attempting to install the accessory louvered hail guard.

PACKAGE CONTENTS- CRLVHLGD017A00

QTY	DESCRIPTION
1	Side Panel, Coil
1	Side Panel, Coil
2	End Panel, Coil
12	Plastic Grommet
24	Screws 10AB x 3/4 LG
6	Wire Tie

CRLVHLGD018A00

QTY	DESCRIPTION
1	Side Panel, Coil
1	Side Panel, Coil
1	End Panel, Coil
1	End Panel, Coil
12	Plastic Grommet
24	Screws 10AB x 3/4 LG
6	Wire Tie

CRLVHLGD019A00

QTY	DESCRIPTION
1	Side Panel, Coil
1	Side Panel, Coil
1	End Panel, Coil
18	Plastic Grommet
30	Screws 10AB x 3/4 LG
6	Wire Tie

PACKAGE USAGE


Unit Size	Hailguard
17, 20	CRLVHLGD017A00
24	CRLVHLGD018A00
28	CRLVHLGD019A00

SAFETY CONSIDERATIONS

Installation and servicing of air-conditioning equipment can be hazardous due to system pressure and electrical components. Only trained and qualified service personnel should install, repair, or service air-conditioning equipment.

Untrained personnel can perform basic maintenance functions of cleaning coils and filters and replacing filters. All other operations should be performed by trained service personnel. When working on air-conditioning equipment, observe precautions in the literature, tags and labels attached to the unit, and other safety precautions that may apply.

Follow all safety codes. Wear safety glasses and work gloves.

Recognize safety information. This is the safety-alert symbol . When you see this symbol on the unit and in instructions or manuals, be alert to the potential for personal injury.

Understand the signal words DANGER, WARNING, and CAUTION. These words are used with the safety-alert symbol. DANGER identifies the most serious hazards which **will** result in severe personal injury or death. WARNING signifies a hazard which **could** result in personal injury or death. CAUTION is used to identify unsafe practices which **may** result in minor personal injury or product and property damage. NOTE is used to highlight suggestions which **will** result in enhanced installation, reliability, or operation.

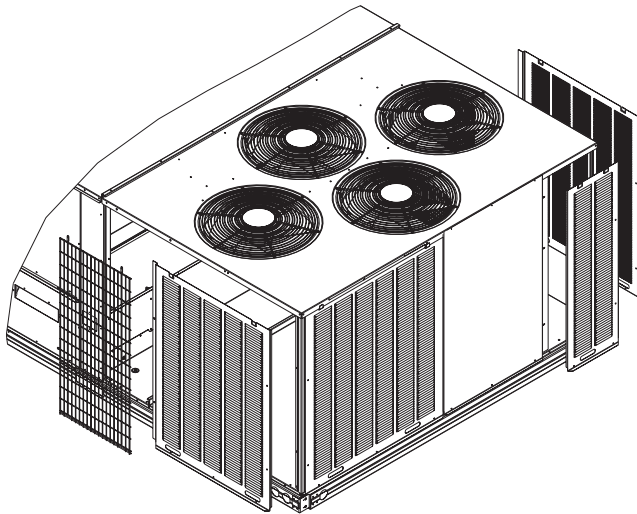
⚠ WARNING

ELECTRICAL OPERATION HAZARD

Failure to follow this warning could result in personal injury or death.

Before performing service and maintenance operations on unit, turn off main power switch to unit. If gas unit, shut off gas supply before shutting off main power.

TAG DISCONNECT SWITCH WITH A SUITABLE LOCKOUT TAG AND WARNING LABEL.



**Fig. 1 - Hail Guard Installation
(024 Size Shown)**

C09482

GENERAL

Louvered hail guard packages are designed to protect the rooftop unit condenser coil from hail and general contact damage. Excessive damage to rooftop unit outdoor coils can result in diminished performance due to reduced air flow over the heat transfer surfaces.

INSTALLATION

1. Verify the correct hail guard part number is provided for the desired rooftop unit size. See Package Usage table.
2. Remove shipping covers from unit.
3. Remove wire grills from unit and save screws. (See Fig. 1.)
4. Insert (4) plastic grommets in the square holes of each corner post as shown in Fig. 2.

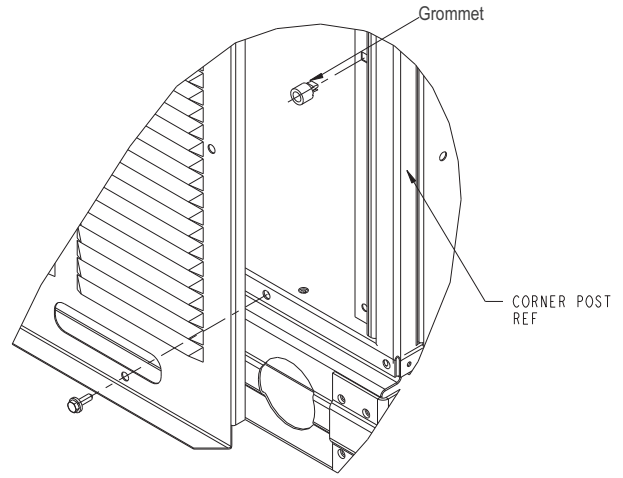


Fig. 2 - Grommets in Corner Post

C09479

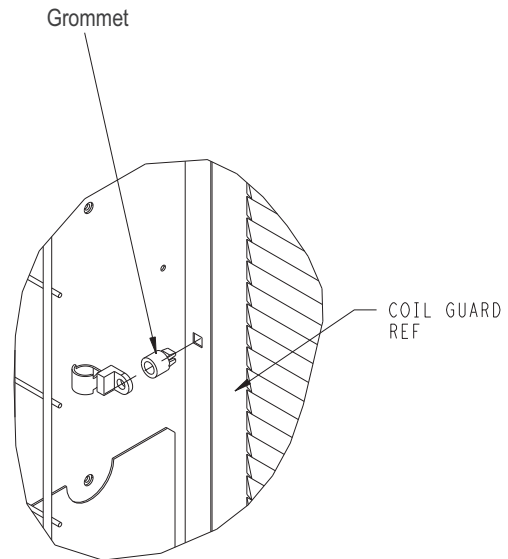


Fig. 3 - Grommets in Side Guards

C09480

5. Insert (2) plastic grommets in the square holes of the two side guards of the kit. (See Fig. 3.)
6. Using screws provided with kit, install end panels. Engage top notch in each panel to top cover flange as shown in Fig. 4. Drive screws through panel and into basepan and plastic grommets in post.

7. Install side panels engaging notch in top of panel as shown in Fig. 4. Install screws through panel into basepan and grommets previously installed.
8. Re-install wire guards using wire ties provided in kit. Wrap wire tie around spine of grill, aligning hole in wire tie with plastic grommet. Secure with screws from kit.

9. Restore power to unit.

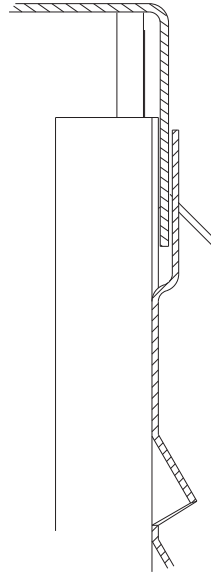


Fig. 4 - Side Panels Installed in Top of Panel

C09481