



Thank you for purchasing the "Fresh-air chamber" of TOSHIBA/Carrier Air Conditioner. Before starting the installation work, please read this manual carefully and install the product properly.

PRECAUTIONS FOR SAFETY

- Before installing the product, please read the "PRECAUTIONS FOR SAFETY" carefully to perform the proper installation.
- Be sure to keep the instructions described in the precautions for safety, since the descriptions include the important information for safety. The indication and the meaning of the symbols are as below.

 WARNING	This sign denotes that serious injury may result from improper use.
 CAUTION	This sign denotes that the bodily injury* ¹ or damage* ² to property may result from improper use.

*1 Bodily injury indicates injury, burns, electric shock, and other injuries which do not require hospitalization or long-term treatment as an outpatient.

*2 Physical damage indicates the damage relating to the property, material.

WARNING

Use TOSHIBA/Carrier products for the parts sold separately.

Use the products specified by TOSHIBA/Carrier for the parts sold separately, such as the ceiling panel and the Fresh-air inlet box. The use of the products other than specified may cause the water leakage, electric shock, fire, etc.

CAUTION

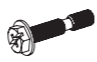
Turn off the earth leakage breaker when installing the Fresh-air chamber.
Be sure to install the Fresh-air chamber to the indoor unit. Insufficient installation may cause the water leakage, electric shock, etc.

1 SPECIFICATION

Fresh-air inlet box	TCB-GB1602UUL
---------------------	---------------

2 ACCESSORIES

The following parts are included as accessories in the product package.

No.	Name	Shape	Q'ty
(1)	Mounting screw		4

3 INSTALLING THE FRESH-AIR CHAMBER

CAUTION

Handle with care for the product when performing the ceiling installation. Applying the shock to the side of the Fresh-air chamber may damage the product.

1 Installing the indoor unit

- Install the indoor unit to the ceiling. (Refer to the installation manual of the indoor unit for the details.)

2 Connect the system interconnecting wire and remote control wire to the indoor unit. (Refer to the installation manual of the indoor unit for the details.)

- Connect the wire attached to the Fresh-air inlet box, if a Fresh-air inlet box (Sold separately) is built in and a duct fan (locally procured) is installed. (Refer to the installation manual of the Fresh-air inlet box for the details.)

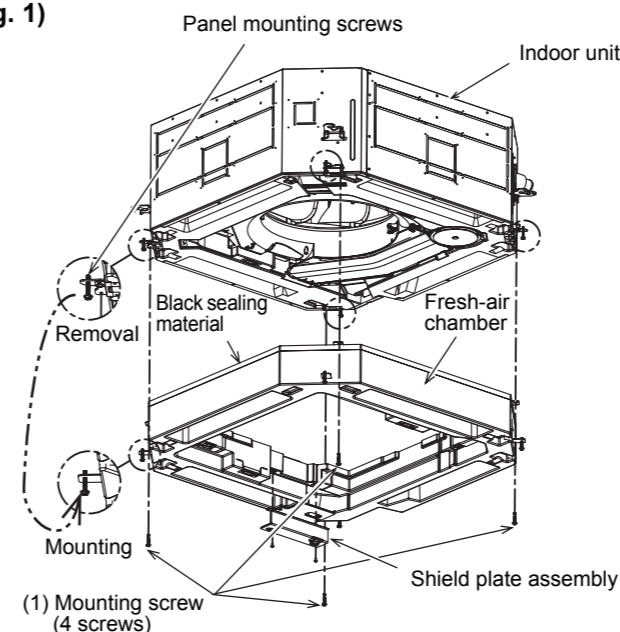
3 Preparation for installation (Fig. 1)

- Loosen two screws and remove the shield plate assembly attached to the chamber.
- Remove the panel mounting screws on the indoor unit and attach them on the chamber. (at four locations)

4 Fresh-air chamber mounting (Fig. 1)

- Fit the black sealing material side of the Fresh-air chamber to the indoor unit. (It is required to fit each shape of the indoor unit and Fresh-air chamber for the installation direction.)
- Fix them with the attached Mounting screw (four screws).

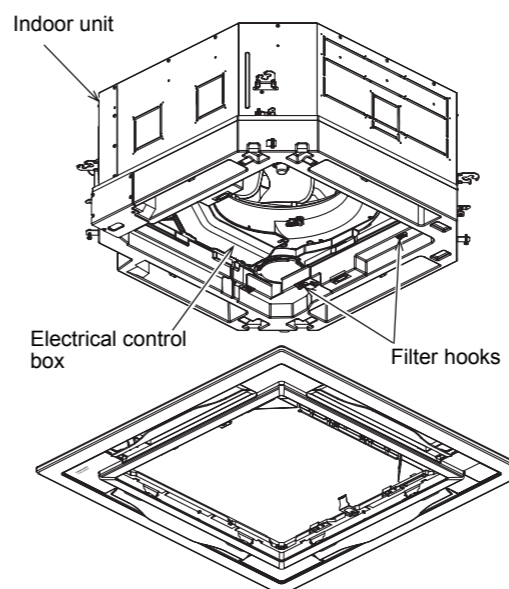
(Fig. 1)



5 Installing the ceiling panel (sold separately) (Fig. 2)

- Mount the ceiling panel to the Fresh-air chamber. (Refer to the installation manual of the ceiling panel for the details.)

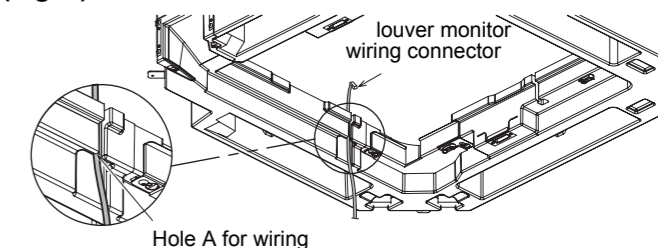
(Fig. 2)



- Insert the louver motor wiring connector of the ceiling panel to the hole A for the Fresh-air chamber wiring, and connect to the P.C. board inside the electrical control box securely. (Fig. 3)

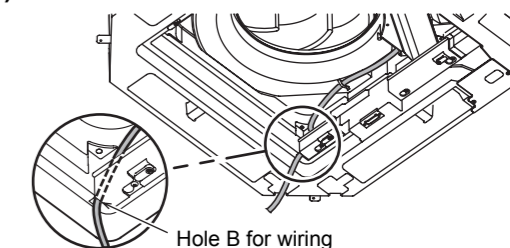
* Cut the cable tie of the louver motor wire of the panel and connect the wires.

(Fig. 3)



- Signal receiving unit of wireless remote control needs to be connected to use wireless remote control (sold separately). Put wire of the signal receiving unit through hole B and connect it to the terminal block in electrical control box. (Fig. 4) (For the details of installation, refer to the manual of wireless remote control kit.)

(Fig. 4)



6 Installing the shield plate assembly

- After closing the electrical control box, mount the shield plate assembly by using 2 screws to the original position where once removed from the chamber when preparing for the installation.

7 Mounting the Fresh-air inlet box (sold separately)

- Mount the Fresh-air inlet box. (Refer to the installation manual of the Fresh-air inlet box.)

4 CONFIRMING THE INSTALLATION

After the installation completes, perform the test run to confirm that no abnormality is found.

For your future reference, please keep the installation manual on your side.