

CALVHLGD007A00
CALVHLGD008A00
CALVHLGD009A00

**SPLIT SYSTEMS HEAT PUMP
AND CONDENSING UNITS
ACCESSORY HAIL GUARD
15 and 20 TON COOLING UNIT
15 and 20 TON HEAT PUMP**

Installation Instructions


IMPORTANT: Read these instructions completely before attempting to install the accessory hail guard.

SAFETY CONSIDERATIONS

Installation and servicing of air-conditioning equipment can be hazardous due to system pressure and electrical components. Only trained and qualified service personnel should install, repair, or service air-conditioning equipment.

Untrained personnel can perform the basic maintenance functions. All other operations should be performed by trained service personnel. When working on air-conditioning equipment, observe precautions in the literature, tags and labels attached to the unit, and other safety precautions that may apply.

Follow all safety codes. Wear safety glasses and work gloves.

Recognize safety information. This is the safety-alert symbol . When you see this symbol on the unit and in instructions or manuals, be alert to the potential for personal injury.

Understand the signal words DANGER, WARNING, and CAUTION. These words are used with the safety-alert symbol. DANGER identifies the most serious hazards which **will** result in severe personal injury or death. WARNING signifies a hazard which **could** result in personal injury or death. CAUTION is used to identify unsafe practices which **may** result in minor personal injury or product and property damage. NOTE is used to highlight suggestions which **will** result in enhanced installation, reliability, or operation.

WARNING

ELECTRICAL SHOCK HAZARD

Failure to follow this warning could cause personal injury or death.

Before beginning any modification on unit, always turn off main power switch to unit and install lockout tag. Unit may have more than one power switch.

CAUTION

CUT HAZARD

Failure to follow this caution may result in personal injury. Sheet metal parts may have sharp edges or burrs. Use care and wear appropriate protective clothing, safety glasses and gloves when handling parts and servicing units.

PACKAGE USAGE

CARRIER MODEL USAGE		
MODEL NO.	REF TONS	HAIL GUARD PKG PART NO.
COOLING		
38AUZ-16 38AUD-16	15 w/Novation	CALVHLGD007A00
38AUZ-16 38AUD-16	15 w/RTFP	CALVHLGD008A00
38AUZ-25 38AUD-25	20 w/RTFP	CALVHLGD009A00
HEAT PUMP		
38AUQ-16	15	CALVHLGD008A00
38AUQ-25	20	CALVHLGD009A00

BRYANT MODEL USAGE		
MODEL NO.	REF TONS	HAIL GUARD PKG PART NO.
COOLING		
569J-16	15 w/RTFP	CALVHLGD008A00
569J-25	20 w/RTFP	CALVHLGD009A00
HEAT PUMP		
575J-16	15	CALVHLGD008A00
575J-25	20	CALVHLGD009A00

ICP MODEL USAGE		
MODEL NO.	REF TONS	HAIL GUARD PKG PART NO.
COOLING		
CAS 180, 181	15 w/RTFP	CALVHLGD008A00
CAS 240, 241	20 w/RTFP	CALVHLGD009A00
HEAT PUMP		
CHS 180	15	CALVHLGD008A00
CHS 240	20	CALVHLGD009A00

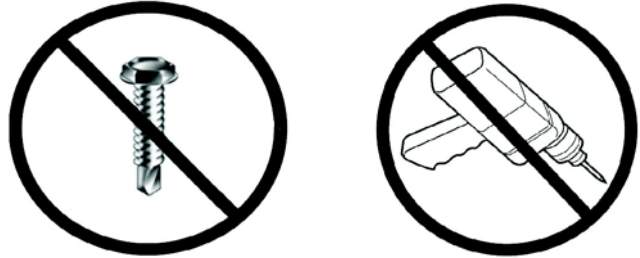
PACKAGE CONTENTS AND PANEL USE LOCATION

HAIL GUARD PKG PART NO.	PACKAGE CONTENTS	PANEL USE LOCATION
CALVHLGD007A00	(5) Hail Guards:	----
	(1) - 44.9 x 19.2	LEFT SIDE
	(1) - 44.9 x 35.2	FRONT
	(1) - 44.9 x 42.3	BACK
	(1) - 44.9 x 41.5	BACK
	(1) - 44.9 x 41.3	RIGHT SIDE
	(12) #10 x 1/2 Screws	----
CALVHLGD008A00	(5) Hail Guards:	----
	(1) - 44.9 x 11.9	LEFT SIDE
	(1) - 44.9 x 27.5	FRONT
	(1) - 44.9 x 41.3	BACK
	(1) - 44.9 x 41.3	BACK
	(1) - 44.9 x 41.3	RIGHT SIDE
	(12) #10 x 1/2 Screws	----
CALVHLGD009A00	(4) Hail Guards:	----
	(1) - 44.9 x 20.6	FRONT
	(1) - 44.9 x 48.3	BACK
	(1) - 44.9 x 62.2	RIGHT SIDE
	(1) - 44.9 x 34.1	LEFT SIDE
	(10) #10 x 1/2 Screws	----

GENERAL

Louvered hail guard packages are designed to protect the unit condenser coil from hail and general contact damage. Excessive damage to unit outdoor coils can result in diminished performance due to reduced air flow over the heat transfer surfaces.

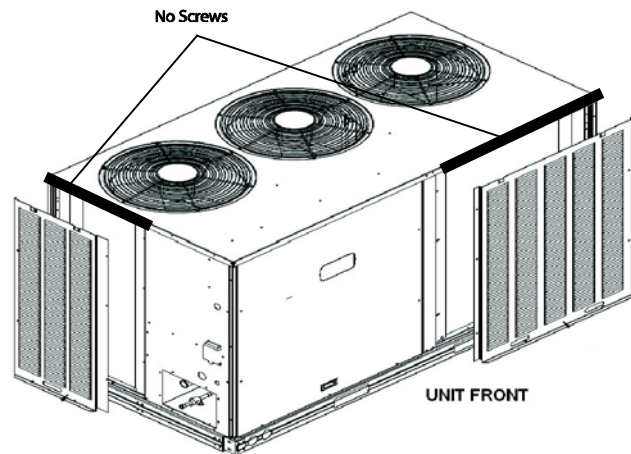
IMPORTANT: Never drill or use screws through the top cover to secure hail guards or substitute longer screws. Coil damage could occur. (See Fig. 1-4.)



C10294

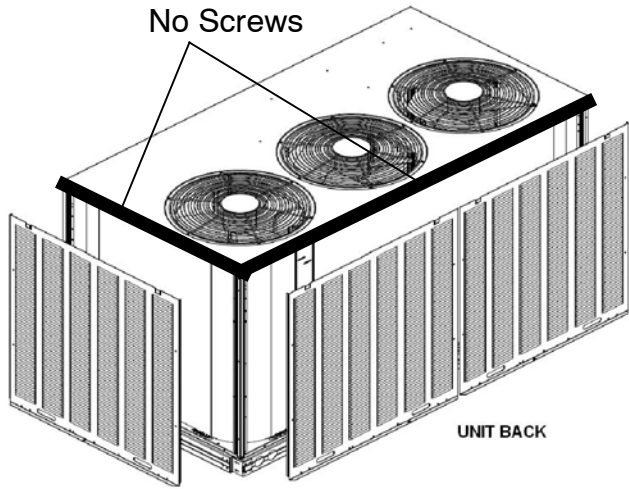
INSTALLATION

1. Verify the correct hail guard sizes are provided for the desired unit size. See Package Usage section.
2. Hold each hail guard panel in place and remove the screws at the base of the outdoor coil that line up with each of the hail guard panel holes to be installed. Save the screws.
3. Align the hail guard panel with the respective section of the outdoor coil and engage top notch in each panel to top cover flange as shown in Fig. 4.
4. Install screws that were removed in Step 2 through panel and into basepan.
5. Repeat Steps 2 - 4 for each panel to be installed.



C10350

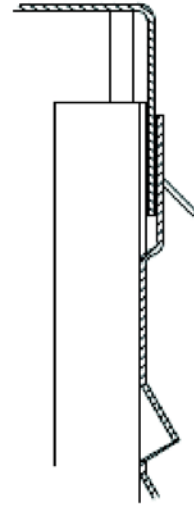
**Fig. 1 - 15/20 Ton Hail Guard Installation
(15 Ton Shown - Front and Side Panels)**



**Fig. 2 - 15 Ton Hail Guard Installation
(Back and Side Panels)**

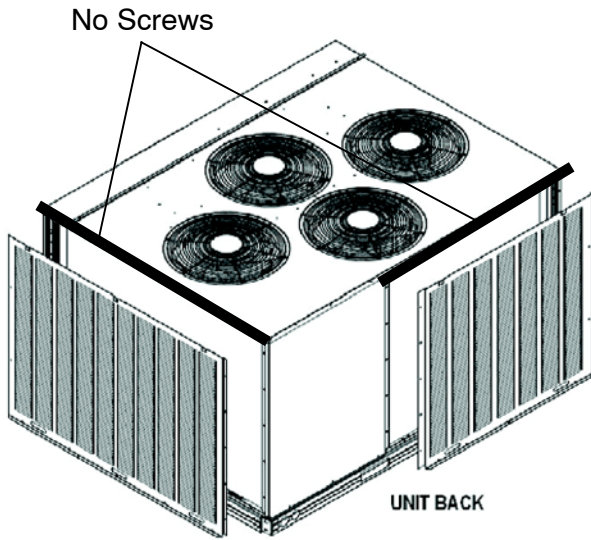
C10349

IMPORTANT: Never drill or use screws through the top cover to secure hail guards. Coil damage could occur.



**Fig. 4 - Hail Guard into Top Cover
(Use No Screws)**

C10352



**Fig. 3 - 20 Ton Hail Guard Installation
(Back and Side Panels)**

C10351

