

**CRPECONV003A00**  
**CRPECONV004A00**

**SMALL ROOFTOP UNITS  
HINGED DOOR ANGLE KIT for  
VERTICAL ECONOMIZER2, ECONOMIZER IV AND  
VERTICAL POWER EXHAUST  
GAS HEAT/ELECTRIC COOLING,  
ELECTRIC COOLING, AND HEAT PUMP UNITS**

## Installation Instructions

**IMPORTANT:** Read these instructions completely before attempting to install this accessory.

### PACKAGE CONTENTS

This accessory package consists of a sealing angle with a gasketing flange.

### PACKAGE USAGE - ECONOMIZER2 AND ECONOMIZER IV

ECONOMIZER	ACCESSORY KIT
CRECOMZR020A02	CRPECONV003A00
CRECOMZR021A03	CRPECONV004A00
CRECOMZR022A01	CRPECONV003A00
CRECOMZR023A01	CRPECONV004A00

### PACKAGE USAGE - POWER EXHAUST


POWER EXHAUST	ACCESSORY KIT
CRPWREXH021A01	CRPECONV003A00
CRPWREXH022A01	CRPECONV004A00
CRPWREXH023A01	CRPECONV004A00
CRPWREXH024A00	CRPECONV003A00
CRPWREXH025A00	CRPECONV003A00
CRPWREXH026A00	CRPECONV004A00
CRPWREXH027A00	CRPECONV004A00
CRPWREXH030A01	CRPECONV003A00

### SAFETY CONSIDERATIONS

Installation and servicing of air-conditioning equipment can be hazardous due to system pressure and electrical components. Only trained and qualified service personnel should install, repair, or service air-conditioning equipment.

Untrained personnel can perform the basic maintenance functions. All other operations should be performed by trained service personnel. When working on air-conditioning equipment, observe precautions in the literature, tags and labels attached to the unit, and other safety precautions that may apply.

Follow all safety codes. Wear safety glasses and work gloves.

Recognize safety information. This is the safety-alert symbol . When you see this symbol on the unit and in instructions or manuals, be alert to the potential for personal injury.

Understand the signal words DANGER, WARNING, and CAUTION. These words are used with the safety-alert symbol. DANGER identifies the most serious hazards which **will** result in severe personal injury or death. WARNING signifies a hazard which **could** result in personal injury or death. CAUTION is used to identify unsafe practices which **may** result in minor personal injury or product and property damage. NOTE is used to highlight suggestions which **will** result in enhanced installation, reliability, or operation.

### **WARNING**

#### **ELECTRICAL SHOCK HAZARD**

Failure to follow this warning could result in personal injury and/or death.

Before performing service or maintenance operations on unit, turn off main power switch to unit and install lockout tag.

### **GENERAL**

Use this kit when you field-install accessory economizers and/or power exhausts on units with factory-installed hinged panels.

This kit provides a watertight seal when field-installed vertical economizers and/or vertical power exhaust are installed.

### **BEFORE INSTALLING**

Inspect the contents of this accessory package before installing. File a claim with the shipper if contents are damaged or parts are missing.

## INSTALLATION FOR ECONOMIZER

### Step 1 — Remove Hinged Door

1. Open the hinged door.
2. Remove the screws that hold the door on to the bottom panel. Save the screws and hinges. (See Fig. 1.)
3. Set hinged door aside.

### Step 2 — Install Economizer

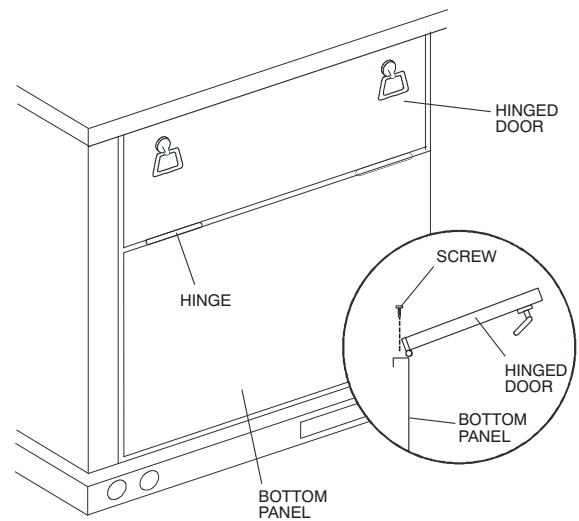
Install the EconoMiSer2 and EconoMiSer IV using the instructions provided with the accessory.

### Step 3 — Install Angle Kit

1. Attach the sealing angle to the top of the economizer hood using the 3 screws provided. Refer to Fig. 2. Note that the gasketing flange will be facing out.
2. *If there are NO pre-drilled holes in the Economizer hood:* Lay the hinged panel, insulation side up, on top of the hood so that the hinge screw holes align with the pre-drilled screw holes in the sealing angle. (*For hoods with pre-drilled holes, skip to Step 6.*)
3. Check the alignment of the hinged panel with the side of the filter opening to be sure it will close properly.
4. Use a pencil to mark the hood where the screw holes will be.
5. Remove the hinged door and drill four (4) 11/64-in. holes where the marks are.

**NOTE:** The sealing angle will be in place. Use the holes in it as a guide.

6. Place the door and hinges back on the unit. Screw through the door hinges and sealing angle into the flanged top of the hood using the 4 screws set aside in Step 1.
7. Close the hinged door and adjust handles if necessary.



C08252

Fig. 1 - Rooftop Unit with Hinged Door

## INSTALLATION FOR POWER EXHAUST

### Step 1 — Remove Hinged Door

1. Open the hinged door.
2. Remove the screws that hold the door on to the bottom panel. Save the screws and hinges.
3. Set hinged door aside.

### Step 2 — Install Power Exhaust

Install the Vertical Power Exhaust using the installation instructions shipped with the accessory.

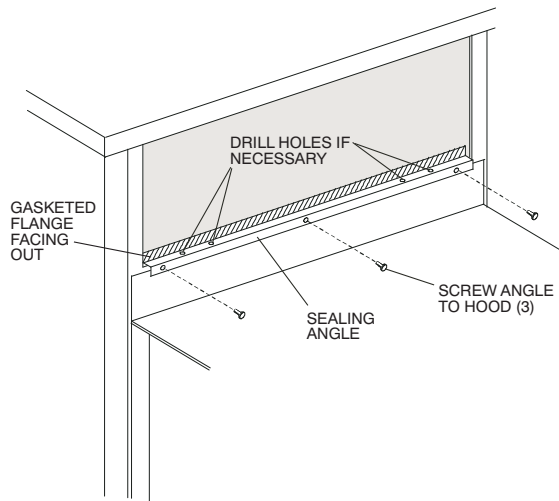
### Step 3 — Install Angle Kit

1. Attach the sealing angle to the top of the Power Exhaust hood using the 3 screws provided. Refer to Fig. 2. Note that the gasketing flange will be facing out.
2. *If there are NO pre-drilled holes in the Power Exhaust hood:* Lay the hinged panel, insulation side up, on top of the hood so that the hinge screw holes align with the pre-drilled screw holes in the sealing angle. (*For hoods with pre-drilled holes, skip to Step 6.*)

3. Check the alignment of the hinged panel with the side of the filter opening to be sure it will close properly.
4. Use a pencil to mark the hood where the screw holes will be.
5. Remove the hinged door and drill four (4) 11/64-in. holes where the marks are.

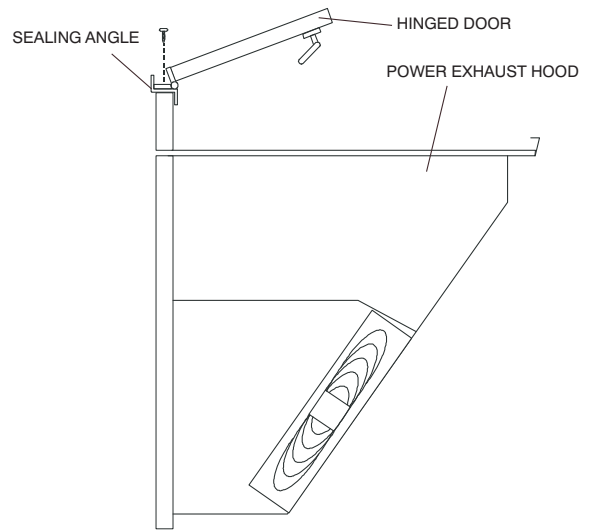
**NOTE:** The sealing angle will be in place. Use the holes in it as a guide.

6. Place the door and hinges back on the unit. Screw through the door hinges and sealing angle into the flanged top of the hood using the 4 screws set aside in Step 1. (See Fig. 3.)
7. Close the hinged door and adjust handles if necessary.



**Fig. 2 - Install Sealing Angle**

C08253



**Fig. 3 - Insert Screws to Reinstall the Hinged Door**

C08254

