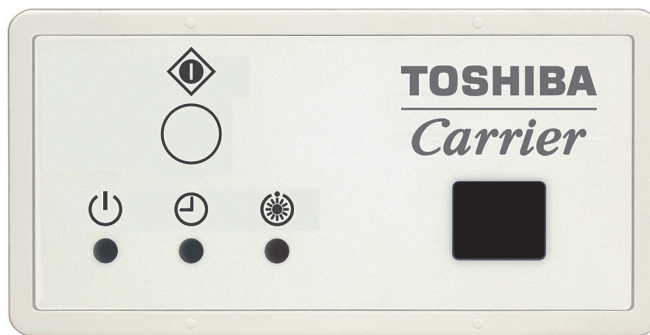
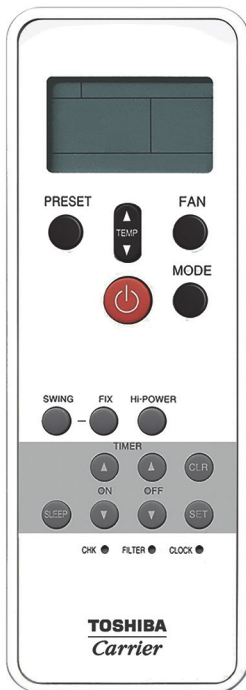


## Submittal Data

Job Data \_\_\_\_\_ Location \_\_\_\_\_  
Buyer \_\_\_\_\_ Buyer PO # \_\_\_\_\_ Carrier # \_\_\_\_\_  
Unit Number \_\_\_\_\_ Model Number \_\_\_\_\_  
Performance Data Certified By \_\_\_\_\_ Date \_\_\_\_\_

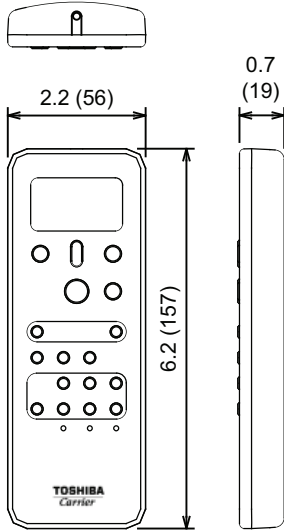


### SMMSi / SHRMi VRF Integral Receiver (For Underceiling) Features

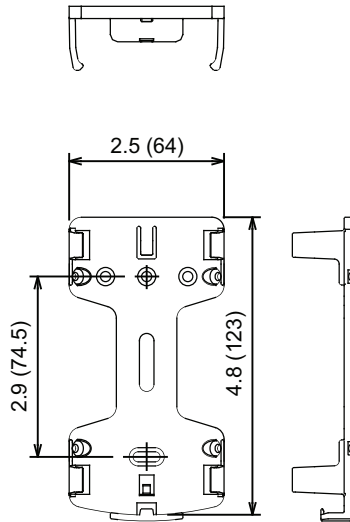
- ON/OFF
- Operating modes (Auto, Heat, Dry, Cool, and Fan)
- Fan modes (Auto, High, Medium, and Low)
- Louver setting
- Timer function
- Error display

# DIMENSIONAL DRAWING INTEGRAL RECEIVER (FOR UNDERCEILING) - RBC-AX33CUL

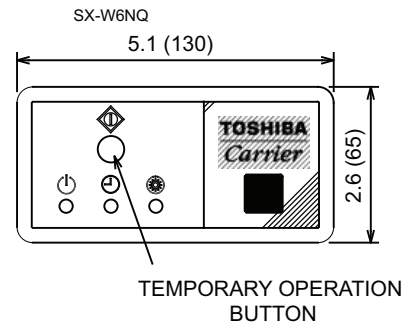
REMOTE CONTROLLER  
WH-L15SE



REMOTE CONTROLLER HOLDER



SIGNAL RECEIVING UNIT



NOTE: Dimensions are in inches (mm).