

Single Package Rooftop Units Gas Heating/Electric Cooling Select 12¹/₂ to 27¹/₂ Ton Flue Discharge Deflector Accessory

Installation Instructions

Part No. CRFLUEDS006A00

PRODUCT USAGE

IMPORTANT: This book contains instructions for the installation of accessory flue deflector assembly CRFLUEDS006A00 on the models and sizes listed below. Do not attempt to install this accessory on any unit NOT INCLUDED in these tables.

Carrier Units

MODEL	UNIT SIZES
48HC	17,20,24,28
48LC	14,17,20,24,26
48TC	17,18,20,21,24,25,28,29,30

Bryant Units

MODEL	UNIT SIZES
580J	17,18,20,21,24,25,28,29,30
581J	17,20,24,28

ICP Units

MODEL	UNIT SIZES
RGH	181,183,210,213,240,243,300,303
RGS	210,213,240,243,300,303,333,336

PACKAGE CONTENTS

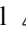
ACCESSORY PART NUMBER	CONTENTS
CRFLUEDS006A00	Flue Deflector, pre-assembled

SAFETY CONSIDERATIONS

Installation and servicing of equipment can be hazardous due to system pressure and electrical components. Only trained and qualified service personnel should install, repair, or service equipment.

When working on equipment, observe precautions in the literature, tags and labels attached to the unit, and other safety precautions that may apply.

Follow all safety codes. Wear safety glasses and work gloves.

Recognize safety information. This is the safety-alert symbol . When you see this symbol on the unit and in instructions or manuals, be alert to the potential for personal injury.

Understand the signal words DANGER, WARNING, and CAUTION. These words are used with the safety-alert symbol. DANGER identifies the most serious hazards which **will** result in severe personal injury or death. WARNING signifies a hazard which **could** result in personal injury or death. CAUTION is used to identify unsafe practices which **may** result in minor personal injury or product and property damage. NOTE is used to highlight suggestions which **will** result in enhanced installation, reliability, or operation.

⚠ WARNING

ELECTRICAL SHOCK HAZARD

Failure to follow this warning could result in personal injury and/or death.

Before beginning any modification, close main gas supply shutoff valve. Be certain that the main line electrical disconnect switch is in the OFF position and the lockout tag is installed. Tag disconnect switch and gas valve with suitable warning labels.

GENERAL

The accessory flue discharge deflector directs unit flue exhaust vertically instead of horizontally. This allows for a smaller unit clearance due to flue exhaust.

INSTALLATION

1. Close the manual shutoff valve on the gas supply piping.
2. Shut off power to unit and install lockout tag.
3. Remove existing flue hood from unit. Save screws. See Fig. 1.
4. Align deflector assembly (Fig. 2) with outlet and remove screw in center post that lines up with upper bracket. Save screw.
5. Fasten deflector assembly inlet with screws removed in Step 3 to unit flue outlet. See Fig. 3.
6. Align upper bracket with empty screw hole in center post. Secure with screw removed in Step 4. See Fig. 3.
7. Return power to unit and remove lockout tag.
8. Open the manual shutoff valve on the gas supply piping.

SERVICE

Remove and clean the screen periodically to ensure proper airflow and heating efficiency. Inspect full length of flue stack for any blockages which could impair flue performance. Inspect every fall, and periodically during heating season.

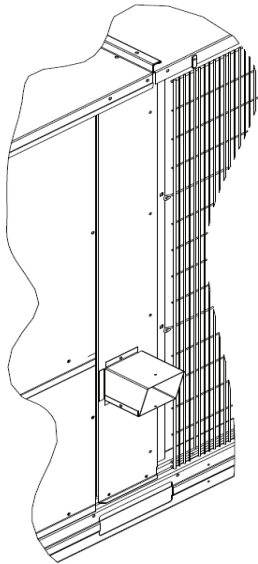


Fig. 1 — Existing Flue Outlet Hood

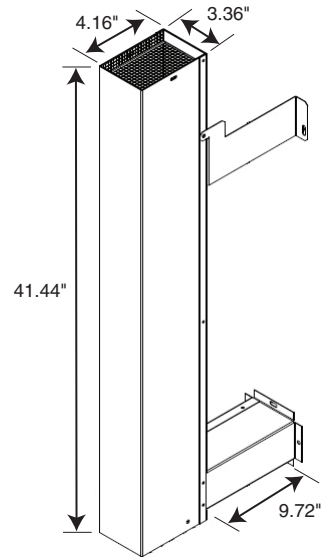
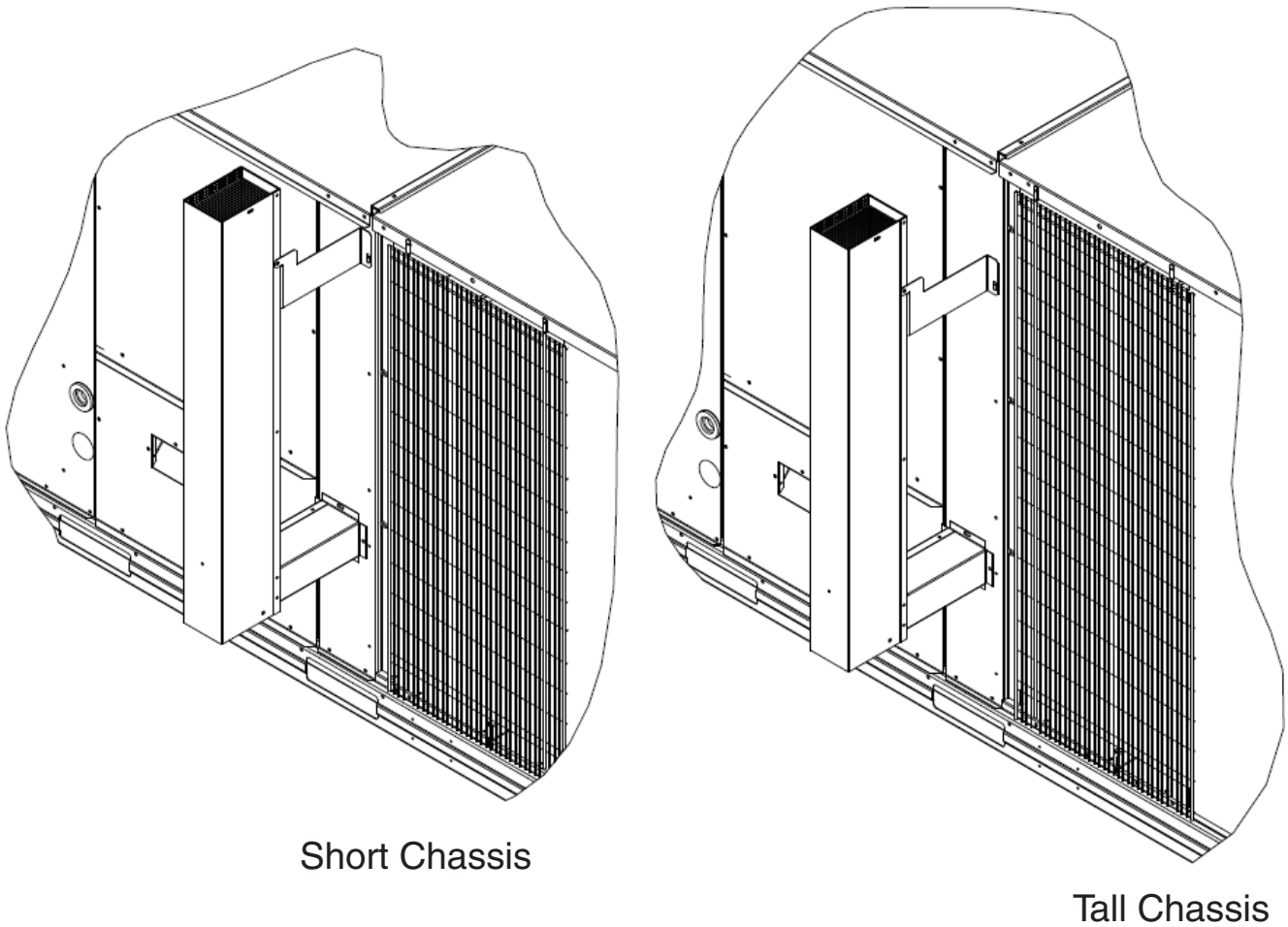


Fig. 2 — Flue Deflector Assembly



Short Chassis

Tall Chassis

Fig. 3 — Flue Discharge Deflector Installed on Unit