

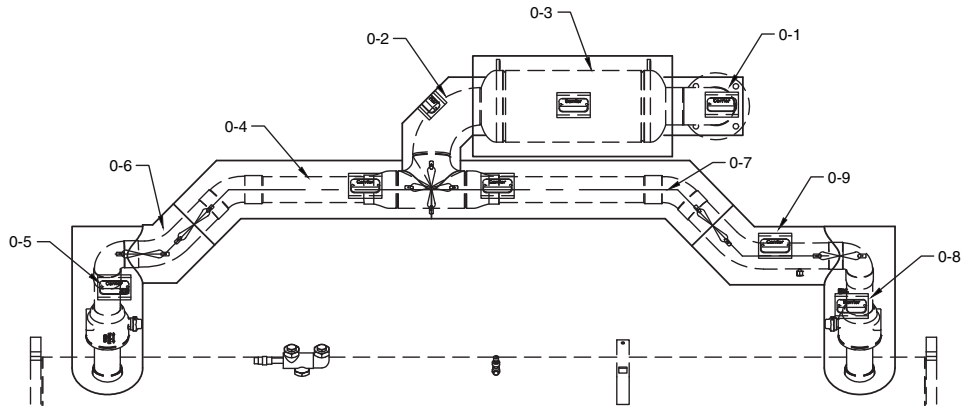
DISCHARGE MANIFOLD – ELEVATION VIEW

DISCHARGE MANIFOLD MATERIAL LIST	
DESCRIPTION	PIECE NO.
Discharge Manifold	0-1
Discharge Manifold	0-2
Discharge Manifold	0-3

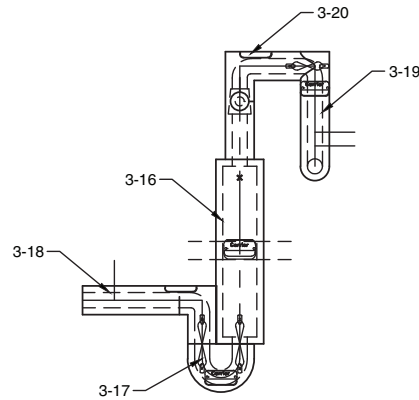
NOTES:

1. Install blankets in tag number sequence.
2. Position pieces with tags as shown.
3. Draw seams together using wire twists.
4. Close seams off by locking Velcro flap in place.
5. Lace wire twists in a figure eight pattern.

Fig. 5 — Discharge Line Pieces, 30XW150,185 (P/N 00EFN900004800A)



DISCHARGE MANIFOLD – ELEVATION VIEW



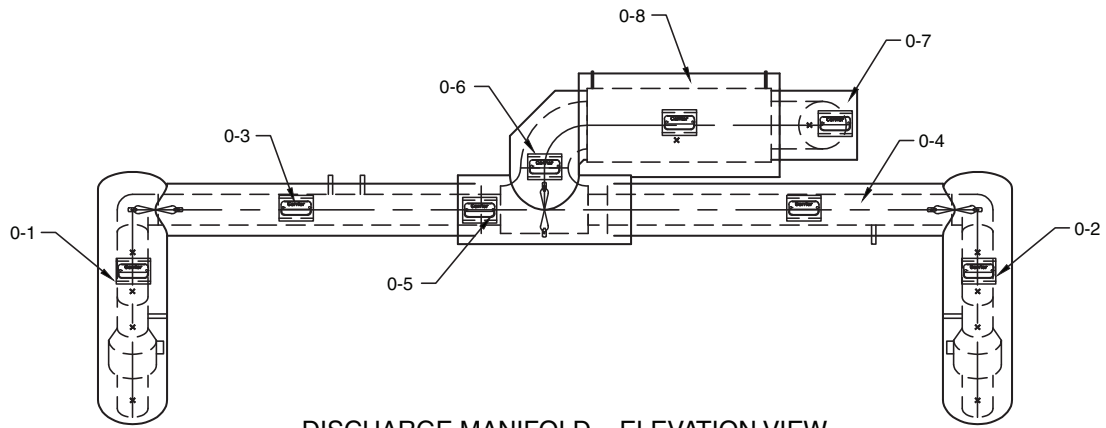
ECONIMIZER PIPING – ELEVATION VIEW

DISCHARGE MANIFOLD MATERIAL LIST		ECONIMIZER PIPING MATERIAL LIST	
DESCRIPTION	PIECE NO.	DESCRIPTION	PIECE NO.
Discharge Manifold	0-1	Economizer Piping	3-16
Discharge Manifold	0-2	Economizer Piping	3-17
Discharge Manifold	0-3	Economizer Piping	3-18
Discharge Manifold	0-4	Economizer Piping	3-19
Discharge Manifold	0-5	Economizer Piping	3-20
Discharge Manifold	0-6	—	—
Discharge Manifold	0-7	—	—
Discharge Manifold	0-8	—	—
Discharge Manifold	0-9	—	—

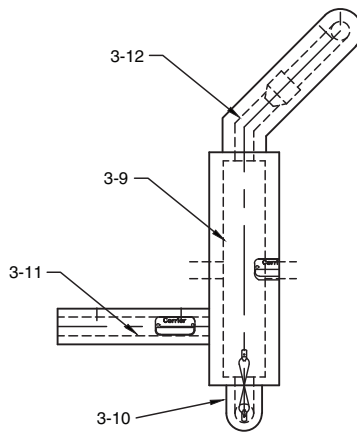
NOTES:

1. Install blankets in tag number sequence.
2. Position pieces with tags as shown.
3. Draw seams together using wire twists.
4. Close seams off by locking Velcro flap in place.
5. Lace wire twists in a figure eight pattern.

Fig. 6 — Discharge Line Pieces and Economizer Piping, 30XW175,200 (P/N 00EFN900004900A)



DISCHARGE MANIFOLD – ELEVATION VIEW



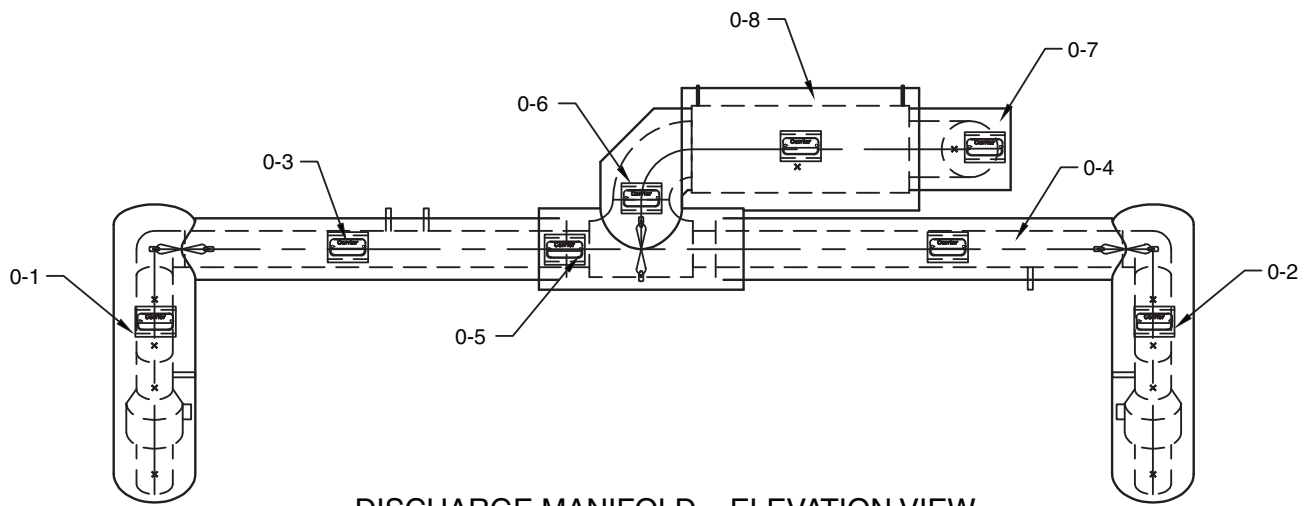
ECONOMIZER PIPING – ELEVATION VIEW

DISCHARGE MANIFOLD MATERIAL LIST		ECONIMIZER PIPING MATERIAL LIST	
DESCRIPTION	PIECE NO.	DESCRIPTION	PIECE NO.
Discharge Manifold	0-1	Economizer Piping	3-9
Discharge Manifold	0-2	Economizer Piping	3-10
Discharge Manifold	0-3	Economizer Piping	3-11
Discharge Manifold	0-4	Economizer Piping	3-12
Discharge Manifold	0-5	—	—
Discharge Manifold	0-6	—	—
Discharge Manifold	0-7	—	—
Discharge Manifold	0-8	—	—

NOTES:

1. Install blankets in tag number sequence.
2. Position pieces with tags as shown.
3. Draw seams together using wire twists.
4. Close seams off by locking Velcro flap in place.
5. Lace wire twists in a figure eight pattern.

Fig. 7 — Discharge Line Pieces and Economizer Piping, 30XW250,275,300 (P/N 00EFN900005000A)



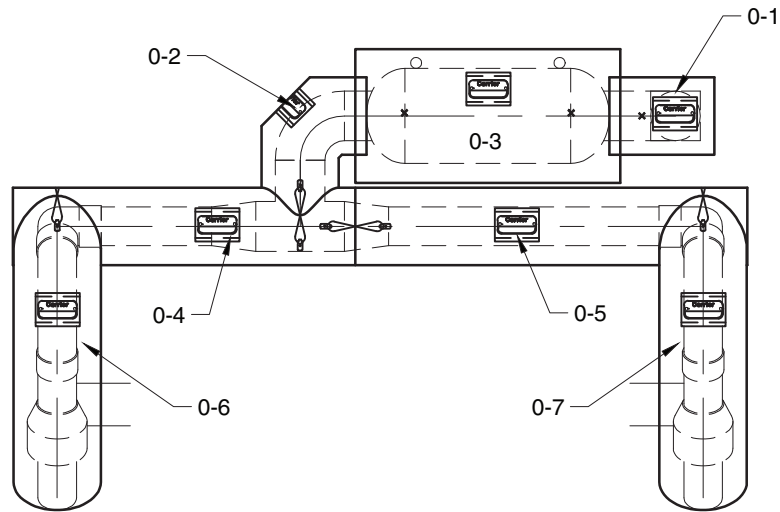
DISCHARGE MANIFOLD – ELEVATION VIEW

DISCHARGE MANIFOLD MATERIAL LIST	
DESCRIPTION	PIECE NO.
Discharge Manifold	0-1
Discharge Manifold	0-2
Discharge Manifold	0-3
Discharge Manifold	0-4
Discharge Manifold	0-5
Discharge Manifold	0-6
Discharge Manifold	0-7
Discharge Manifold	0-8

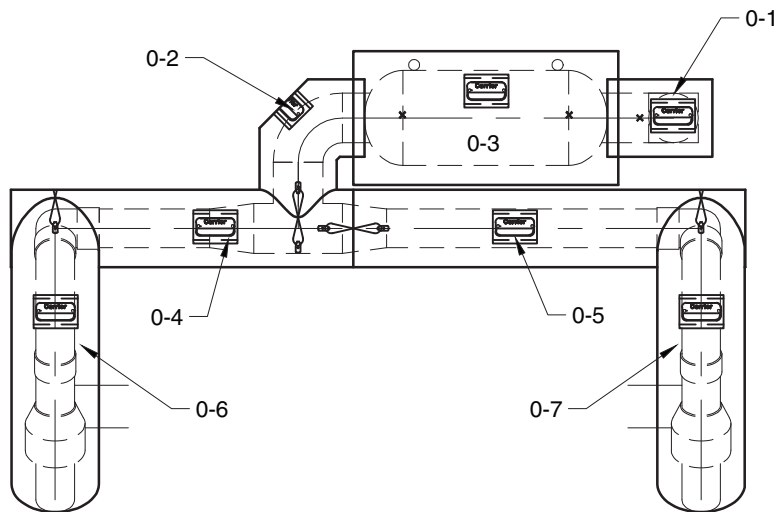
NOTES:

1. Install blankets in tag number sequence.
2. Position pieces with tags as shown.
3. Draw seams together using wire twists.
4. Close seams off by locking Velcro flap in place.
5. Lace wire twists in a figure eight pattern.

Fig.8 — Discharge Line Pieces, 30XW225,260,285 (P/N 00EFN900005100A)



CIRCUIT A DISCHARGE MAINFOLD — ELEVATION VIEW



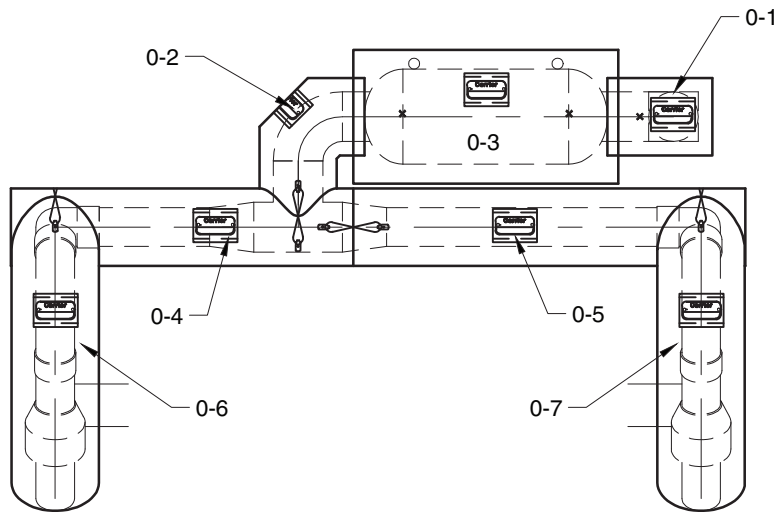
CIRCUIT B DISCHARGE MAINFOLD — ELEVATION VIEW

CIRCUIT A - MATERIAL LIST		CIRCUIT B - MATERIAL LIST	
DESCRIPTION	PIECE NO.	DESCRIPTION	PIECE NO.
A1 - Discharge Manifold	0-1	B1 - Discharge Manifold	0-1
A1 - Discharge Manifold	0-2	B1 - Discharge Manifold	0-2
A1 - Discharge Manifold	0-3	B1 - Discharge Manifold	0-3
A1 - Discharge Manifold	0-4	B1 - Discharge Manifold	0-4
A1 - Discharge Manifold	0-5	B1 - Discharge Manifold	0-5
A1 - Discharge Manifold	0-6	B1 - Discharge Manifold	0-6
A1 - Discharge Manifold	0-7	B1 - Discharge Manifold	0-7

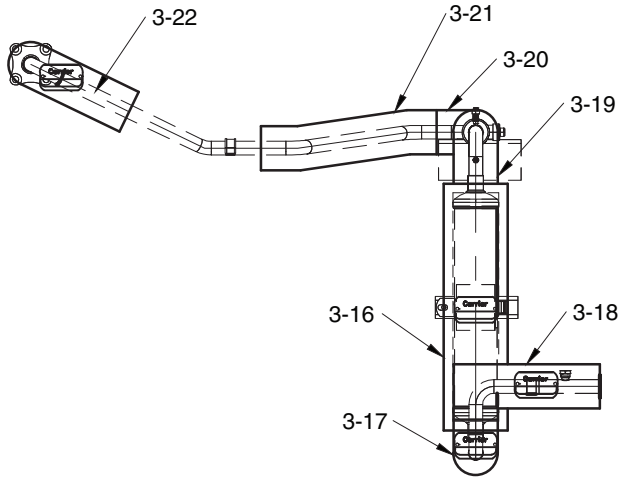
NOTES:

1. Install blankets in tag number sequence.
2. Position pieces with tags as shown.
3. Draw seams together using wire twists.
4. Close seams off by locking Velcro flap in place.
5. Lace wire twists in a figure eight pattern.

Fig. 9 — Circuit A and Circuit B Discharge Line Pieces, 30XW325,375 (P/N 00EFN900004000A)



CIRCUIT A DISCHARGE MANIFOLD –
ELEVATION VIEW



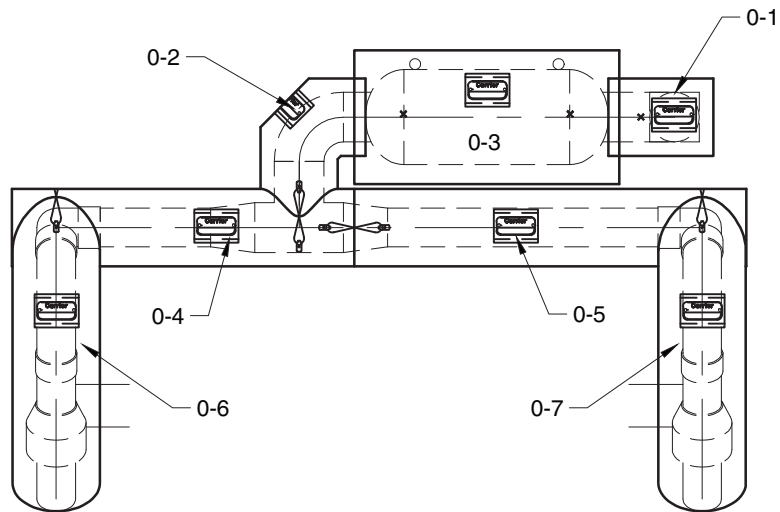
CIRCUIT A ECONOMIZER PIPING –
ELEVATION VIEW

CIRCUIT A - MATERIAL LIST			
DESCRIPTION	PIECE NO.	DESCRIPTION	PIECE NO.
A1 - Discharge Manifold	0-1	A1 - Economizer Line	3-16
A1 - Discharge Manifold	0-2	A1 - Economizer Line	3-17
A1 - Discharge Manifold	0-3	A1 - Economizer Line	3-18
A1 - Discharge Manifold	0-4	A1 - Economizer Line	3-19
A1 - Discharge Manifold	0-5	A1 - Economizer Line	3-20
A1 - Discharge Manifold	0-6	A1 - Economizer Line	3-21
A1 - Discharge Manifold	0-7	A1 - Economizer Line	3-22

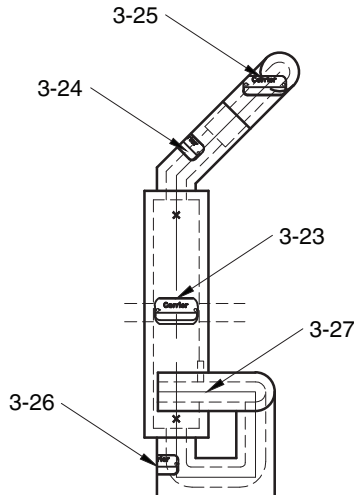
NOTES:

1. Install blankets in tag number sequence.
2. Position pieces with tags as shown.
3. Draw seams together using wire twists.
4. Close seams off by locking Velcro flap in place.
5. Lace wire twists in a figure eight pattern.

Fig. 10 — Circuit A, Discharge Line Pieces and Economizer Piping, 30XW350,400 (P/N 00EFN900004100A)



CIRCUIT B DISCHARGE MANIFOLD –
ELEVATION VIEW



CIRCUIT B ECONOMIZER PIPING –
ELEVATION VIEW

CIRCUIT B - MATERIAL LIST			
DESCRIPTION	PIECE NO.	DESCRIPTION	PIECE NO.
B1 - Discharge Manifold	0-1	B1 - Economizer Line	3-23
B1 - Discharge Manifold	0-2	B1 - Economizer Line	3-24
B1 - Discharge Manifold	0-3	B1 - Economizer Line	3-25
B1 - Discharge Manifold	0-4	B1 - Economizer Line	3-26
B1 - Discharge Manifold	0-5	B1 - Economizer Line	3-27
B1 - Discharge Manifold	0-6	—	—
B1 - Discharge Manifold	0-7	—	—

NOTES:

1. Install blankets in tag number sequence.
2. Position pieces with tags as shown.
3. Draw seams together using wire twists.
4. Close seams off by locking Velcro flap in place.
5. Lace wire twists in a figure eight pattern.

Fig. 11 — Circuit B, Discharge Line Pieces and Economizer Piping, 30XW350,400 (P/N 00EFN900004100A)

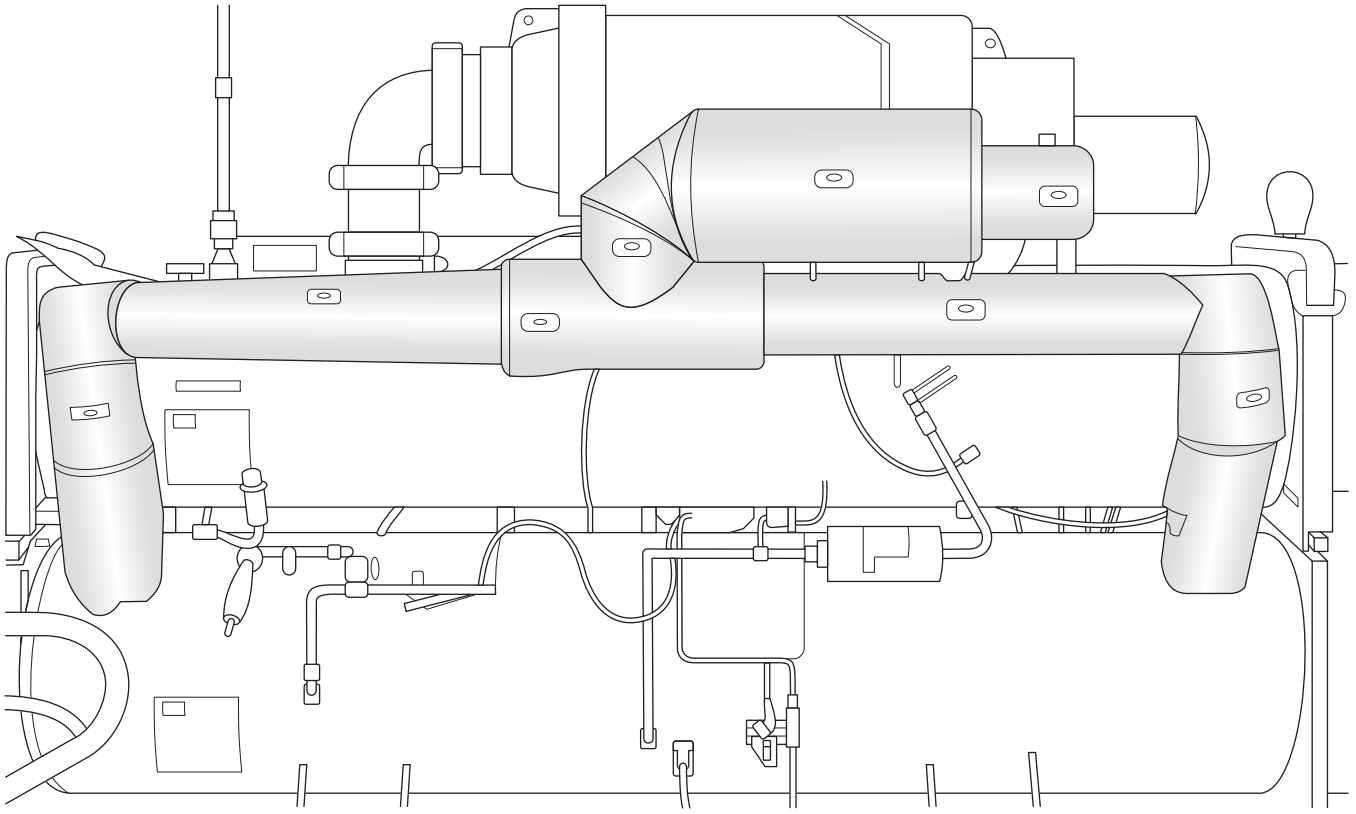


Fig. 12 — Discharge Lagging Pieces Installed on 30XW300

