

SMMS-e / SHRM-e VRF Indoor Unit MML-AP0094BH2UL - Floor Console - Recessed

TOSHIBA
Carrier

Submittal Data

Job Data _____ Location _____
 Buyer _____ Buyer PO # _____ Carrier # _____
 Unit Number _____ Model Number _____
 Performance Data Certified By _____ Date _____



SMMS-e / SHRM-e VRF Floor Console - Recessed Features

- R-410A Refrigerant
- Six sizes from 7,500 to 24,000 Btu/h
- Wiring connection on the left side
- Piping and drain can be routed from right side, bottom, or back
- Drain tray and drain hose ship with the unit for field installation
- Five-year parts limited warranty

Indoor Unit Model	MML-AP0094BH2UL	
PERFORMANCE		
Cooling Rated Capacity	Btu/h	9,500
Heating Rated Capacity	Btu/h	10,500
Fan Type (Qty)		Centrifugal (1)
Airflow (L / M / H)	CFM	180 / 240 / 270
Sound Pressure (L / M / H)	dBA	33 / 36 / 40 (208V) 36 / 39 / 42 (230V)
ELECTRICAL		
Power Supply	V/Ph/Hz	208-230/1/60
Power Consumption (Input)	kW	0.049 (208V) 0.058 (230V)
Full Load Amps (FLA)	A	0.3
Minimum Circuit Amps	A	0.4
Maximum Overcurrent Protection	A	15
Motor Type	AC Inverter Driven	
Motor Watts		19

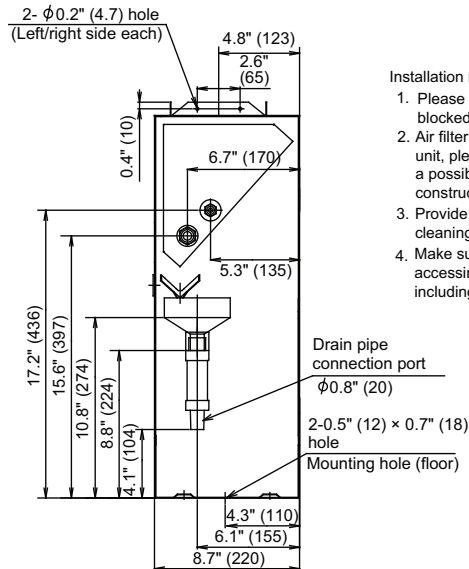
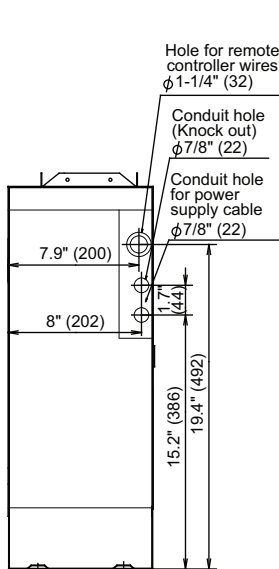
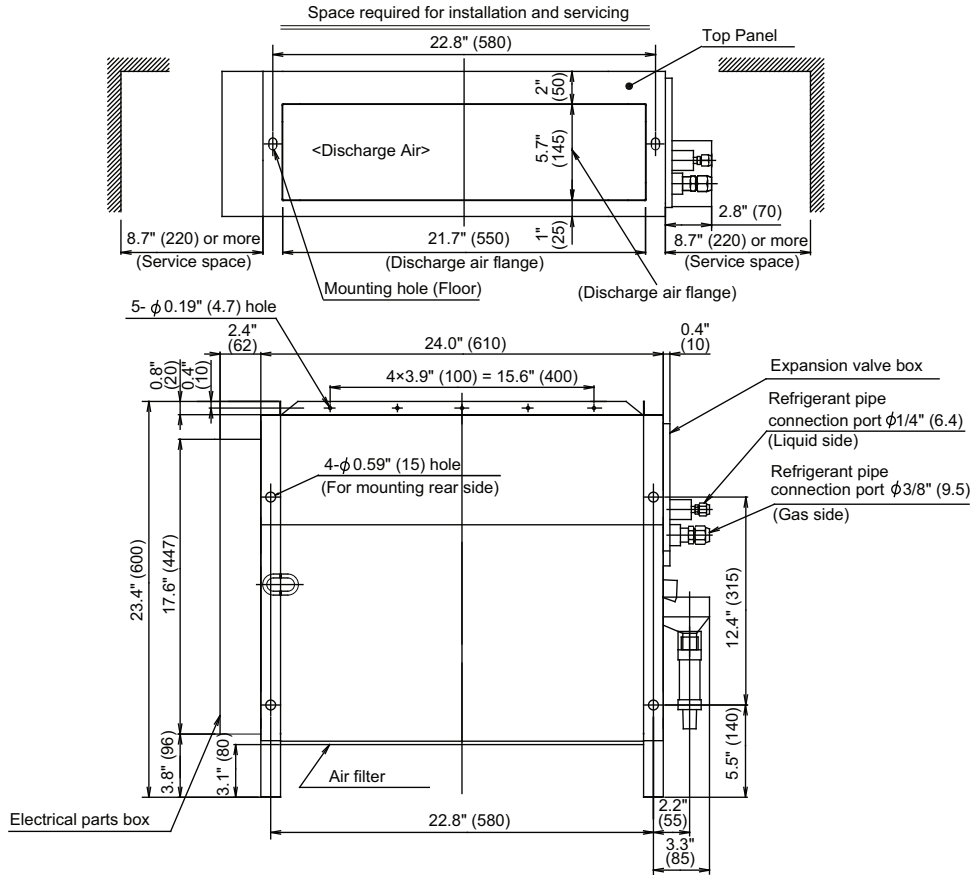
PHYSICAL DATA		
Pipe Connection Size - Liquid (High Pressure)	in.	1/4 (Flare)
Pipe Connection Size - Gas (Low Pressure)	in.	3/8 (Flare)
Pipe Connection Size - Drain (OD)	in.	0.8
Refrigerant	R-410A	
External Finish	Zinc Hot Dipped Steel Plate	
Unit Width	in.	29.3
Unit Height	in.	23.6
Unit Depth	in.	8.7
Unit Net Weight	lb	50.7

ACCESSORIES (Optional)

- Lite Vision Plus Remote Controller (7-Day Programmable) RBC-AMS51E-ES
- Simple Wired Remote Control RBC-AS41UL
- Stand-Alone Receiver with Wireless Remote TCB-AX32UL
- Remote Sensor TCB-TC41LUL
- Wired Remote Controller RBC-AMT32UL

Manufacturer reserves the right to discontinue, or change at any time, specifications or designs without notice and without incurring obligations.

DIMENSIONAL DRAWING INDOOR UNIT FLOOR CONSOLE - RECESSED MML-AP0094BH2UL



Installation notice

1. Please make sure the return air opening is not blocked.
2. Air filter is provided with the unit. Before starting the unit, please make sure the air filter is cleaned. There is a possibility of dust and dirt accumulation due to construction debris.
3. Provide proper access for filter replacement or filter cleaning.
4. Make sure the service switch is turned off before accessing any internal components of the unit including filter replacement.

Units are in inches (mm)

