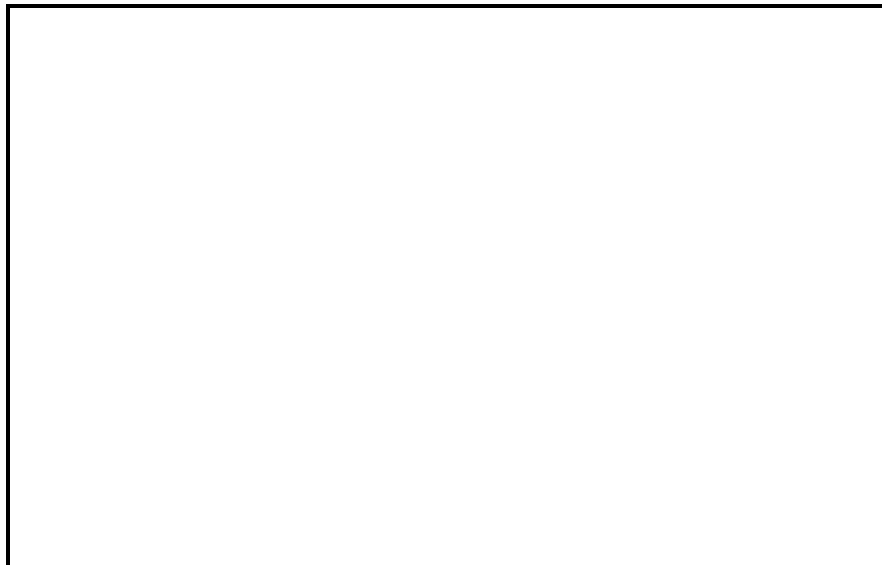


**38AUZ/D**  
**Air-Cooled Condensing Units**  
**60 Hz**  
**with Puron<sup>®</sup> (R-410A) Refrigerant**  
**Sizes 07-25**



## **Submittal Data**

- **PERFORMANCE DATA**
- **CERTIFIED DIMENSION PRINTS**



Job Data: \_\_\_\_\_ Location: \_\_\_\_\_

Buyer: \_\_\_\_\_ Buyer P.O.#: \_\_\_\_\_ Carrier: \_\_\_\_\_

Unit Number: \_\_\_\_\_ Model Number: \_\_\_\_\_

Unit Designation: \_\_\_\_\_



**Intertek**  
16-25 Models



Use of the AHRI Certified TM Mark indicates a manufacturer's participation in the program. For verification of certification for individual products, go to [www.ahridirectory.org](http://www.ahridirectory.org).

## DESCRIPTION

38AU units are air-cooled condensing units which are easily connected by refrigerant lines and low voltage control wiring to matching Carrier packaged air-handling units or other suitable evaporator units to provide customized packages covering a wide range of cooling requirements. Powerful, direct-drive axial-flow fans are mounted horizontally with vertical coils, resulting in a desirable low silhouette. They are ideal for new construction or renovation where quality and performance are required.

38AU

**Certified to  
ISO 9001**



## STANDARD FEATURES

- Puron (R-410A) HFC refrigerant
- Single-stage cooling capacity control on 07-14 models
- Single circuit two-stage cooling capacity control on 07 and 08 models (38AUZD/E units only).
- Two-stage cooling capacity control on 12 to 25 models
- All models utilize Round Copper Tube/Aluminum Plate Fin (RTPF) condenser coils.
- Cooling operating range up to 125°F (52°C) and down to 35°F (2°C)
- Brass suction and liquid line service valves
- Fully Hermetic Scroll compressor with crankcase heater
- New terminal board facilitating simple safety circuit troubleshooting and simplified control box arrangement. 24-volt 75va control system.
- High and low pressure switches.
- UL or UL, Canada listed (07-14 models) applies to standard units; 575-volt units UL, Canada only.
- ETL listed (16-25 models)
- Comfort Alert™ Diagnostic Board:
  - LED Go-No-Go and fault code
  - Built in time guard anti short cycle
  - Phase protection
  - Fault code retention logic
  - Low voltage compressor contactor protection
- Full perimeter base rails with built-in rigging adapters and fork truck slots.
- Pre-painted exterior panels and primer-coated interior panels tested to 500 hours salt spray protection.
- Direct drive permanently lubricated condenser fan motors.
- All units factory run tested.
- Compressors mounted on independent vibration isolators
- Standard limited parts warranty:
  - 5-year compressor parts
  - 1-year condenser coil parts
  - 1-year parts

## PERFORMANCE DATA

Cooling Capacity: \_\_\_\_\_ Btuh      Compressor Power Input: \_\_\_\_\_ kW  
Ambient Air Temperature: \_\_\_\_\_ °F      Compressor Fan Power Input: \_\_\_\_\_ kW  
Saturated Suction Temperature: \_\_\_\_\_ °F      Compressor Unloading Steps: \_\_\_\_\_ %  
Saturated Condensing Temperature: \_\_\_\_\_ °F      Minimum Ambient Air Temperature  
Standard Unit: \_\_\_\_\_ °F

## ELECTRICAL DATA

Power Supply to Unit \_\_\_\_\_ Volts \_\_\_\_\_ Phase \_\_\_\_\_ Hz  
Minimum Circuit Amps \_\_\_\_\_ Maximum Overcurrent Protection \_\_\_\_\_

38AU

## SUBMITTAL DATA

Job Name \_\_\_\_\_  
Architect \_\_\_\_\_  
Engineer \_\_\_\_\_  
Contractor \_\_\_\_\_  
Unit Designation \_\_\_\_\_

## OPTIONS AND ACCESSORIES

### FACTORY-INSTALLED OPTIONS (FIOPs)

- E-Coated Condenser Coil
- Pre Coat on Condenser Coil
- Copper/Copper Condenser Coil
- Motormaster<sup>®</sup> Low ambient head pressure controller, down to -20°F (-29°C)
- Non-fused disconnect
- Hot Gas By-Pass (38AUD 12, 16, and 25 models only)
- Powered 115-volt convenience outlet
- Non-powered 115-volt convenience outlet
- Condenser hail guard - louvered style

### FIELD INSTALLED ACCESSORIES


- Motormaster<sup>®</sup> Low ambient head pressure controller, down to -20°F (-29°C)
- Winter start kit, down to 25°F (-4°C)
- Liquid Line Solenoid Valve
- Solenoid Coil
- Sight Glass
- Condenser coil hail guard - louvered style
- Thermostats and thermostat accessories

### OPTIONAL WARRANTIES

- Complete Unit Parts only up to 5 years
- Complete Unit Parts and Labor up to 5 years

Many other optional warranties are available.  
See the *Commercial Start-Up and Optional Extended Warranty Price* price pages for further information.

# CERTIFIED DIMENSION 38AU\*07, 08, 12, 14


 UNITED TECHNOLOGIES SYRACUSE, NY  
 CARRIER  
 P. O. BOX 4808  
 THIS DOCUMENT IS THE PROPERTY OF CARRIER CORPORATION AND IS DELIVERED UPON THE EXPRESS CONDITION THAT THE USER DOES NOT CONSTITUTE PART PERFORMANCE OR ACCEPTANCE OF CONTRACT.  
 SUBMISSION OF THESE DRAWINGS OR DOCUMENTS DOES NOT CONSTITUTE PART PERFORMANCE OR ACCEPTANCE OF CONTRACT.  
 CORPORATION'S WRITTEN CONSENT.  
 13221

UNIT	ELECTRICAL CHARACTERISTICS	STD. UNIT WT.				CORNER A				CORNER B				CORNER C				CORNER D				CENTER OF GRAVITY				UNIT HEIGHT	
		MG.	LBS.	MG.	LBS.	MG.	LBS.	MG.	LBS.	MG.	LBS.	MG.	LBS.	MG.	LBS.	MG.	LBS.	MG.	LBS.	MG.	LBS.	X	Y	Z	H		
38AUZ-07 (MCHX)	208/230-3-60,460-3-60,575-3-60	328	149	128	58	68	31	62	28	70	32	21	1533.41	19	1482.61	13	1330.21	42	3/8	11076.01							
38AUZ-08 (MCHX)	208/230-3-60,460-3-60,575-3-60	353	160	138	63	72	33	65	29	78	35	19	1482.61	23	1584.21	13	1330.21	42	3/8	11076.01							
38AUZ-12 (MCHX)	208/230-3-60,460-3-60,575-3-60	418	190	165	75	85	39	78	35	90	41	23	1584.21	20	1508.01	15	1381.01	50	3/8	11279.21							
38AUZ-14 (MCHX)	208/230-3-60,460-3-60,575-3-60	431	196	162	73	82	37	92	42	95	43	19	1482.61	23	1584.21	15	1381.01	50	3/8	11279.21							
38AUD-12 (MCHX)	208/230-3-60,460-3-60,575-3-60	499	226	193	88	111	50	72	38	123	56	20	1508.01	23	1584.21	15	1381.01	50	3/8	11279.21							
38AUD-14 (MCHX)	208/230-3-60,460-3-60,575-3-60	505	229	190	86	88	40	76	34	151	68	20	1508.01	24	1609.61	15	1381.01	50	3/8	11279.21							
38AUZ-07 (RPF)	208/230-3-60,460-3-60,575-3-60	389	176	141	64	96	44	62	28	91	41	18	1457.21	24	1609.61	21	1533.41	42	3/8	11076.01							
38AU(A,B)08 (RPF)	208/230-3-60,460-3-60,575-3-60	391	177	142	64	96	44	62	28	91	41	18	1457.21	24	1609.61	21	1533.41	42	3/8	11076.01							
38AUD(D,E)08 (RPF)	208/230-3-60,460-3-60,575-3-60	430	195	142	64	96	44	76	34	111	50	18	1457.21	24	1609.61	21	1533.41	42	3/8	11076.01							
38AUZ-12 (RPF)	208/230-3-60,460-3-60,575-3-60	490	222	177	80	120	54	76	35	114	52	18	1457.21	24	1609.61	24	1609.61	50	3/8	11279.21							
38AUZ-14 (RPF)	208/230-3-60,460-3-60,575-3-60	598	271	195	88	142	64	110	50	151	68	20	1508.01	25	1635.01	24	1609.61	50	3/8	11279.21							
38AUD-12 (RPF)	208/230-3-60,460-3-60,575-3-60	516	234	185	84	117	53	83	38	131	59	19	1482.61	23	1584.21	24	1609.61	50	3/8	11279.21							
38AUD-14 (RPF)	208/230-3-60,460-3-60,575-3-60	654	297	214	97	155	70	120	54	165	75	20	1508.01	25	1635.01	24	1609.61	50	3/8	11279.21							
38AU0-07	208/230-3-60,460-3-60,575-3-60	444	201	134	61	97	44	90	41	123	56	22	1558.81	25	1635.01	13	1330.21	42	3/8	11076.01							
38AU0(A,B)08	208/230-3-60,460-3-60,575-3-60	483	219	162	74	110	50	85	39	125	57	20	1508.01	24	1609.61	21	1533.41	42	3/8	11076.01							
38AU0(D,E)08	208/230-3-60,460-3-60,575-3-60	523	237	174	79	118	54	96	44	135	61	21	1533.41	24	1609.61	23	1584.21	50	3/8	11279.21							
38AU0-12	208/230-3-60,460-3-60,575-3-60	575	261	186	84	126	57	106	48	157	71	21	1533.41	24	1609.61	23	1584.21	50	3/8	11279.21							

NOTES:

- MINIMUM CLEARANCE (LOCAL CODES OR JURISDICTION MAY PREVAIL):
  - BOTTOM TO COMBUSTIBLE SURFACES: 0 INCHES.
  - OUTDOOR COIL, FOR PROPER AIR FLOW: 36 INCHES ONE SIDE, 12 INCHES THE OTHER. THE SIDE GETTING THE GREATER CLEARANCE IS OPTIONAL. STANDARD CLEARANCES ON REMAINING TWO SIDES.
  - OVERHEAD: 60 INCHES. TO ASSURE PROPER OUTDOOR FAN OPERATION.
  - BETWEEN UNITS: CONTROL BOX SIDE, 42 INCHES PER NEC.
  - BETWEEN UNIT AND UNGROUNDED SURFACES: CONTROL BOX SIDE, 36 INCHES PER NEC.
  - BETWEEN UNIT AND BLOCK OR CONCRETE WALLS AND OTHER GROUNDED SURFACES: CONTROL BOX SIDE, 42 INCHES PER NEC.
- WITH EXCEPTION OF THE CLEARANCE FOR THE OUTDOOR COIL AS STATED IN NOTE 1B, A REMOVABLE FENCE OR BARRICADE REQUIRES NO CLEARANCE.
- UNITS MAY BE INSTALLED ON COMBUSTIBLE FLOORS MADE FROM WOOD OR CLASS A, B OR C ROOF COVERING MATERIAL.

**NOTE: MCHX units are not currently available.**

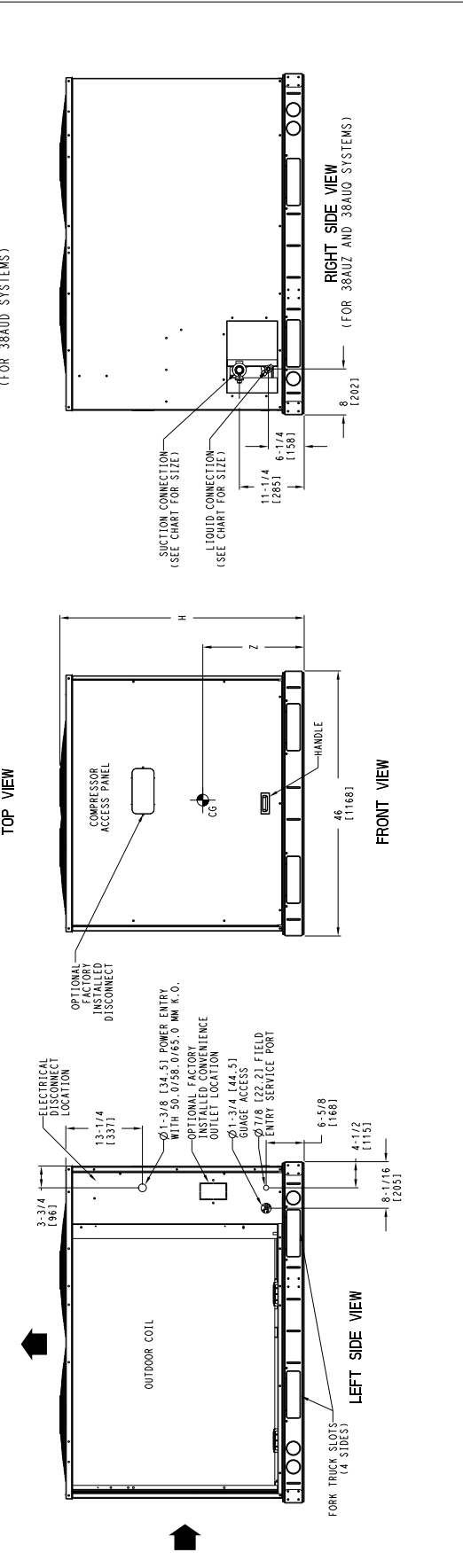
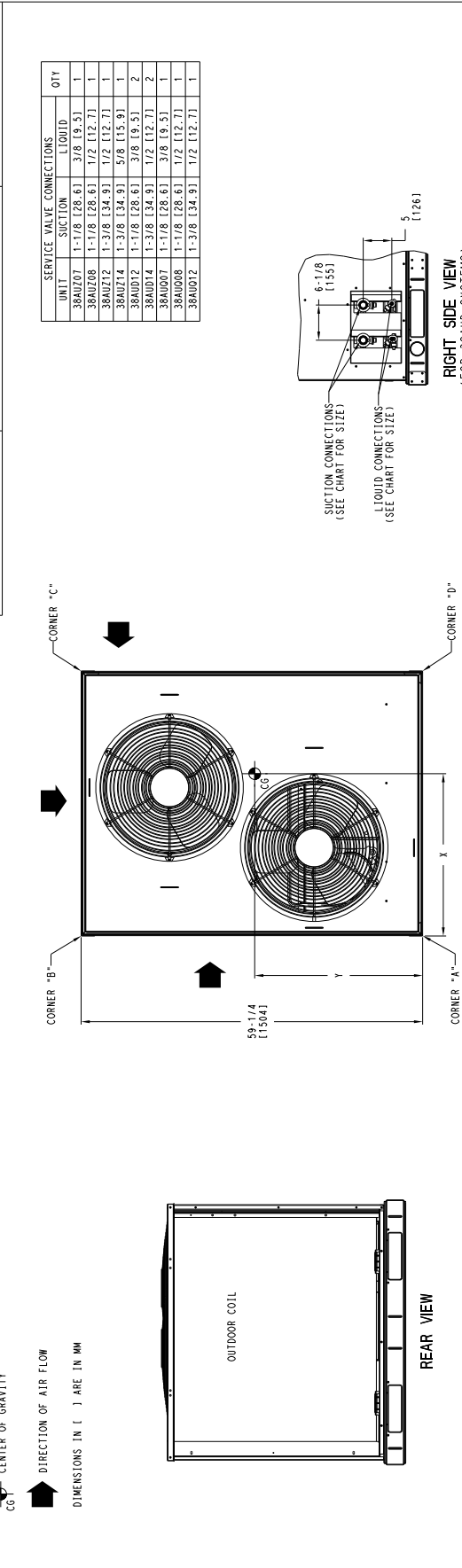
DATE	11/10/14	SUPERSEDES	10/20/11	38AUZ / 38AUD / 38AU0 - 07/08/12/14	38AU500349	REV	H
------	----------	------------	----------	-------------------------------------	------------	-----	---

# CERTIFIED DIMENSION 38AU\*07, 08, 12, 14


 P.O. BOX 4806  
 UNITED TECHNOLOGIES CORPORATION  
 1100 WILSON AVENUE  
 FARMINGDALE, NY 11737  
 CARRIER

THIS SPECIFICATION IS THE PROPERTY OF CARRIER CORPORATION AND IS DELIVERED UPON THE EXPRESS CONDITION THAT THE CONTENTS WILL NOT BE DISCLOSED OR USED WITHOUT CARRIER CORPORATION'S WRITTEN CONSENT.

SUBMISSION OF THESE DRAWINGS OR DOCUMENTS DOES NOT CONSTITUTE AN ACCEPTANCE OF CONTRACT.



UNIT	SERVICE VALVE CONNECTIONS		QTY
	SUCTION	LIQUID	
38AUZ07	1-1/8 (28.6)	3/8 (9.5)	1
38AUZ08	1-1/8 (28.6)	1/2 (12.7)	1
38AUZ12	1-3/8 (34.9)	1/2 (12.7)	1
38AUZ14	1-3/8 (34.9)	5/8 (15.9)	1
38AUO12	1-1/8 (28.6)	3/8 (9.5)	2
38AUO14	1-3/8 (34.9)	1/2 (12.7)	2
38AUO08	1-1/8 (28.6)	1/2 (12.7)	1
38AUO12	1-3/8 (34.9)	1/2 (12.7)	1

DATE	SUPERSEDES	CONDENSING UNIT	REV
11/10/14	10/20/11	38AUZ / 38AUD / 38AUO - 07/08/12/14	H
		38AU500349	



C14341

# CERTIFIED DIMENSION 38AU\*16

UNIT	ELECTRICAL CHARACTERISTICS		STD. UNIT WT.		CORNER A		CORNER B		CORNER C		CORNER D		CENTER OF GRAVITY				UNIT HEIGHT	
	208/230-3-60-460-3-60-515-3-60	208/230-3-60-460-3-60-515-3-60	208/230-3-60-460-3-60-515-3-60	208/230-3-60-460-3-60-515-3-60	LBS.	KG.	LBS.	KG.	LBS.	KG.	LBS.	KG.	X	Y	Z	H		
38AU716 (MCHX)	6.33	288	220	100	134	61	135	61.5	144	65.5	38	1965.21	19	1482.61	15	1381	50-3/8 (1279.2)	
38AU716 (MCHX)	6.33	288	220	100	134	61	135	61.5	144	65.5	38	1965.21	19	1482.61	15	1381	50-3/8 (1279.2)	
38AU716 (RTFF)	7.31	332	237	107	172	78	135	61	186	84	38	1965.21	19	1482.61	17	1431.81	50-3/8 (1279.2)	
38AU716 (RTFF)	7.31	332	237	107	172	78	135	61	186	84	38	1965.21	19	1482.61	17	1431.81	50-3/8 (1279.2)	

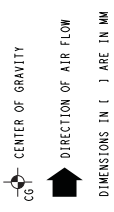
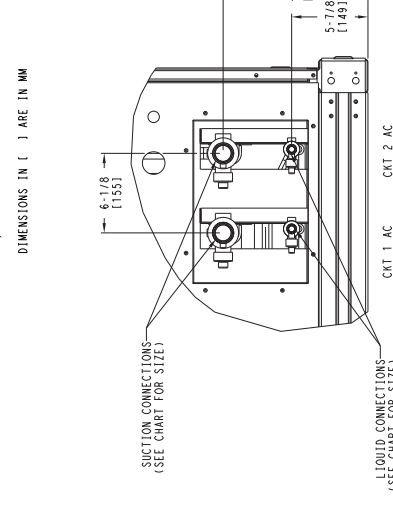
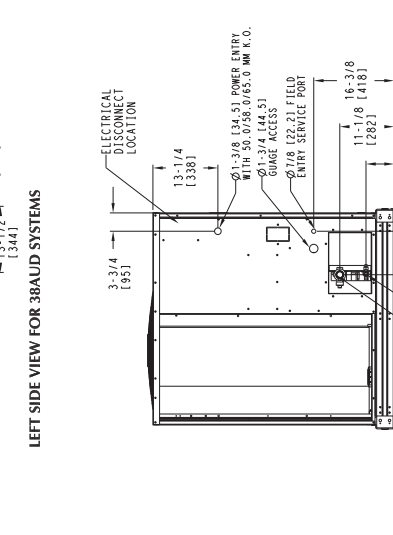
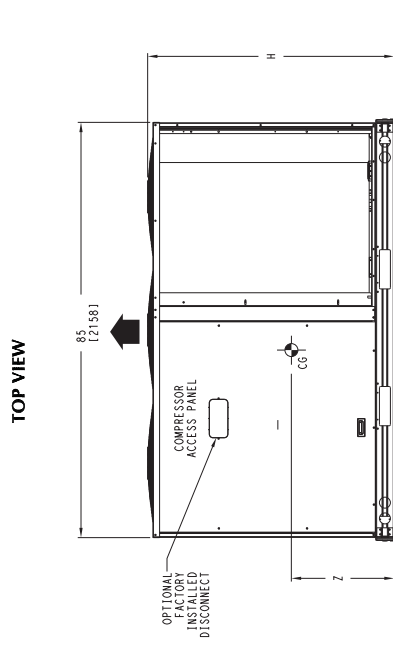
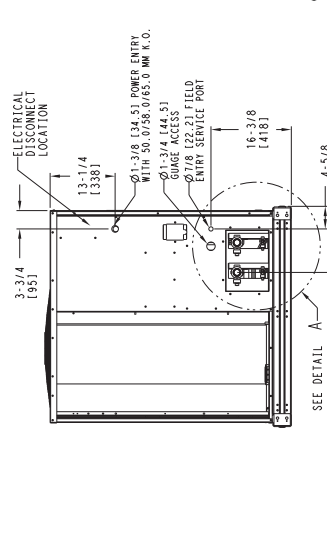
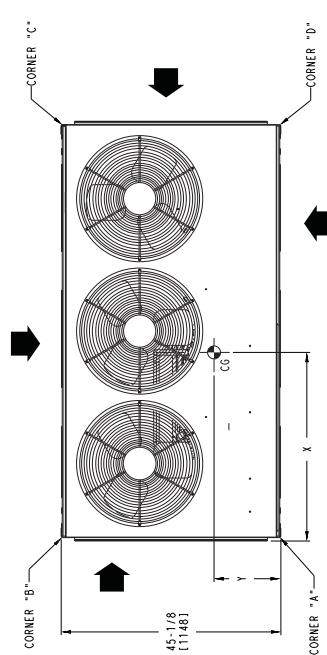
P.O. BOX 4808  
 TECHNOLOGIES STRAUSSER, NY  
 13271  
 THIS DOCUMENT IS THE PROPERTY OF CARRIER CORPORATION AND SHALL BE USED ONLY FOR THE UNIT AND CARRIER IDENTIFIED HEREIN. IT IS NOT TO BE REPRODUCED OR TRANSMITTED IN ANY FORM OR BY ANY MEANS, ELECTRONIC OR MECHANICAL, WITHOUT CARRIER'S WRITTEN CONSENT.

SEMISSION OF THESE DRAWINGS OR DOCUMENTS DOES NOT CONSTITUTE PAPER PERFORMANCE OR ACCEPTANCE OF CONTRACT.

UNIT HEIGHT  
 H  
 50-3/8 (1279.2)

NOTES:  
 1. MINIMUM CLEARANCE (LOCAL CODES OR JURISDICTION MAY VARY):  
 A. BOTTOM TO COMBUSTIBLE SURFACES: 0 INCHES.  
 B. OUTDOOR COIL, FOR PROPER AIR FLOW: 36 INCHES ONE SIDE, 12 INCHES THE OTHER. THE SIDE GETTING THE MOST AIR FLOW SHOULD BE THE OUTDOOR FAN SIDE.  
 C. OVERHEAD CLEARANCE TO ASSURE PROPER OUTDOOR FAN OPERATION: 60 INCHES.  
 D. BETWEEN UNITS: CONTROL BOX SIDE: 42 INCHES PER NEC. STAIRS UNITS: 36 INCHES PER NEC.  
 E. BETWEEN UNITS AND GROUNDED SURFACES: CONTROL BOX SIDE: 36 INCHES PER NEC.  
 F. BETWEEN UNIT AND BLOCK OR CONCRETE WALLS AND OTHER GROUNDED SURFACES: CONTROL BOX SIDE, 42 INCHES PER NEC.  
 2. WITH EXCEPTION OF THE CLEARANCE FOR THE OUTDOOR FAN, ALL CLEARANCES REQUIRE A NON-COMBUSTIBLE FENCE OR BARRICADE REQUIRES NO CLEARANCE.  
 3. UNITS MAY BE INSTALLED ON COMBUSTIBLE FLOORS MADE FROM WOOD OR CLASS A, B OR C ROOF COVERING MATERIAL.

UNIT	SUCTION	LIQUID	QTY
38AU716	1-3/8 (34.9)	5/8 (15.9)	1 EA
38AUD16	1-3/8 (34.9)	1/2 (12.7)	2 EA



DATE	SUPERSEDES	REV
11/17/10	08/04/10	F

38AUZ, 38AU CONDENSING UNIT

38AU500503

C101139

NOTE: MCHX units are not currently available.

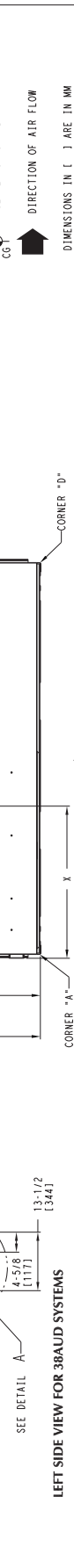
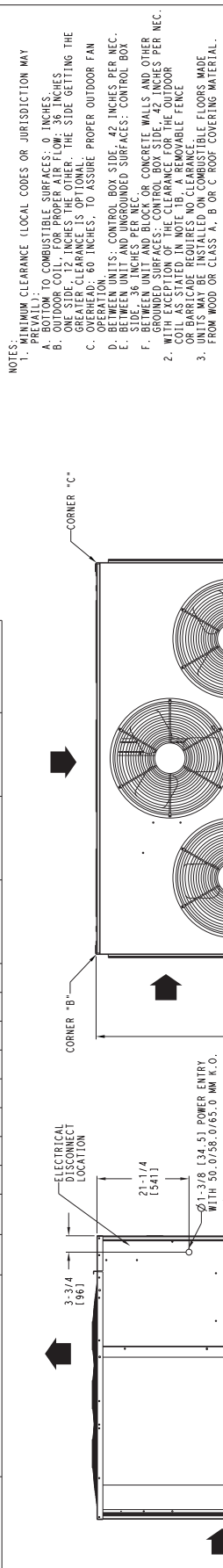
# CERTIFIED DIMENSION 38AU\*25

UNIT	ELECTRICAL CHARACTERISTICS	STD. UNIT WT.		CORNER A		CORNER B		CORNER C		CORNER D		CENTER OF GRAVITY		UNIT HEIGHT					
		LBS.	KG.	LBS.	KG.	LBS.	KG.	LBS.	KG.	LBS.	KG.	X	Y	Z	H				
38AUZ25 (RTPF)	208/230-3-60-460-3-60-575-3-60	978	444	360	163	188	85	147	67	283	128	38	1584.2	23	1584.2	17	431.8	50-3/8	[1279.2]
38AUD25 (RTPF)	208/230-3-60-460-3-60-575-3-60	978	444	360	163	188	85	147	67	283	128	38	1584.2	23	1584.2	17	431.8	50-3/8	[1279.2]

P.O. Box 4888  
UNITED LOGISTICS  
1321  
CORNER

THIS DOCUMENT IS THE PROPERTY OF UNITED LOGISTICS CORPORATION. IT IS TO BE USED ONLY FOR THE UNIT AND NOT BE DISCLOSED OR USED WITHOUT UNITED LOGISTICS CORPORATION'S WRITTEN CONSENT.

UNITED LOGISTICS CORPORATION  
CORNER



SERVICE VALVE CONNECTIONS			
UNIT	SUCTION	LIQUID	QTY
38AUZ25	1-3/8 [41.3]	5/8 [15.9]	1 EA
38AUD25	1-3/8 [41.3]	1/2 [12.7]	2 EA

NOTES:  
 1. MINIMUM CLEARANCE (LOCAL CODES OR JURISDICTION MAY PREVAIL):  
 A. COMBUSTIBLE SURFACES: 0 INCHES.  
 B. OUTDOOR COIL FOR PROPER AIR FLOW: 36 INCHES.  
 C. ONE SIDE, 12 INCHES THE OTHER, THE SIDE GETTING THE GREATER CLEARANCE IS OPTIONAL.  
 D. OVERHEAD: 60 INCHES, TO ASSURE PROPER OUTDOOR FAN CLEARANCE.  
 E. BETWEEN UNIT AND UNGROUNDED SURFACES: CONTROL BOX, SIDE: 36 INCHES PER NEC.  
 F. BETWEEN UNIT AND BLOCK OR CONCRETE WALLS AND OTHER SURFACES: 18 INCHES PER NEC.  
 2. WITH EXCEPTION OF THE CLEARANCE FOR THE OUTDOOR COIL AS STATED IN NOTE 1B, A REMOVABLE FENCE OR BARRICADE REQUIRES NO CLEARANCE.  
 3. THIS UNIT IS TO BE INSTALLED ON COMBUSTIBLE FLOORS, MADE FROM WOOD OR CLASS A, B OR C ROOF COVERING MATERIAL.

CG  
 CENTER OF GRAVITY  
 DIRECTION OF AIR FLOW  
 DIMENSIONS IN [ ] ARE IN MM

OPTIONAL FACTORY INSTALLED DISCONNECT  
 HANDLE  
 FORK TRUCK SLOTS BOTH SIDES  
 SUCTION CONNECTION (SEE CHART FOR SIZE)  
 LIQUID CONNECTION (SEE CHART FOR SIZE)  
 CKT 1 AC  
 CKT 2 AC  
 DETAIL A  
 (NOTE POSITION OF CKT 1)

SEE DETAIL A  
 LEFT SIDE VIEW FOR 38AUD SYSTEMS  
 FRONT VIEW  
 LEFT SIDE VIEW

DATE	SUPERCODES	38AUZ, 38AUD CONDENSING UNIT	REV
11/17/10	08/04/10	38AU500370	E

38AU

