



Installation Instructions

Part Numbers: CRHAILGD006A00, CRHAILGD007A00

SAFETY CONSIDERATIONS

Installation and servicing of air-conditioning equipment can be hazardous due to system pressure and electrical components. Only trained and qualified service personnel should install, repair, or service air-conditioning equipment.

Untrained personnel can perform basic maintenance functions of cleaning coils and filters and replacing filters. All other operations should be performed by trained service personnel. When working on air-conditioning equipment, observe precautions in the literature, tags and labels attached to the unit, and other safety precautions that may apply.

Follow all safety codes, including ANSI (American National Standards Institute) Z223.1. Wear safety glasses and work gloves. Use quenching cloth for unbrazing operations. Have fire extinguisher available for all brazing operations.

⚠ **WARNING**

Before performing service or maintenance operations on unit, turn off main power switch to unit. Electrical shock could cause personal injury.

GENERAL

This accessory kit is for A Series rooftop units. The hail guard accessory protects the condenser coil from hail, flying debris, and damage by large objects without increasing unit

clearances. See Table 1 for usage. The accessory is not used on 48/50A060 units with microchannel (MCHX) coils.

PRE-INSTALLATION

Inspect the contents of the accessory package before installing. File a claim with the shipper if you find shipping damage or contact your Carrier representative if any parts are missing. See Table 1 for accessory package contents.

INSTALLATION

Size 020-050 Units

1. Remove hail guard components from packaging.
2. Align hood bracket (78-in. long, see Fig. 1) to the bottom of condenser coil with notched flange against coil support. See Fig. 2. Locate the screws that interfere with the attachment of the hood bracket to the coil support. Remove and save these screws.

NOTE: The screws which are located within the oval holes of the hood bracket are NOT to be removed.

3. Use the screws removed from the coil support (in Step 2) to attach the hood bracket.
4. **SIZE 020-035 UNITS ONLY:**

Attach right and left hand hood sides to the flanges of the 2 corner posts, located on each side of the condenser coil. Mounting flange of hood side has 4 clearance holes. When installed properly, flanges of the hood sides should be directed away from the condenser coil. Hood sides should fit inside hood bracket.

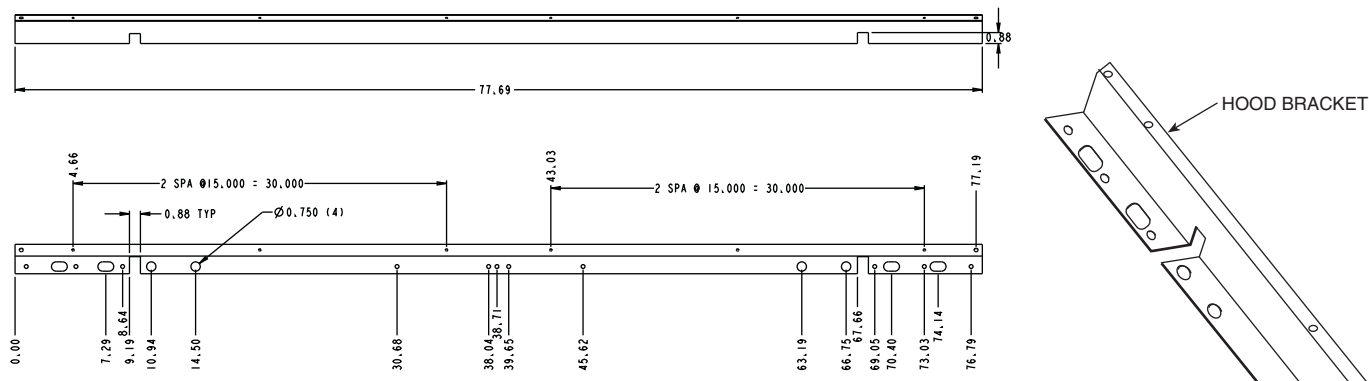
Table 1 — Package Usage and Contents

UNIT SIZE 48/50A	HAIL GUARD PACKAGE NO.	PACKAGE CONTENTS
020-050*	CRHAILGD006A00	1 — Hood Top 1 — Hood Side (Left Hand Side) 1 — Hood Side (Right Hand Side) 2 — Protective Grilles 1 — "S" Flange (Not Used) 1 — Hood Bracket (78-in. length) 1 — Fastener Package Containing 45 No. 10 Screws
060 WITH RTPF CONDENSER ONLY	CRHAILGD007A00	2 — Hood Top (78-in. length) 2 — Hood Top (40-in. length) 3 — Hood Side (Left Hand Side) 3 — Hood Side (Right Hand Side) 6 — Protective Grilles 2 — Hood Bracket (78-in. length) 2 — Hood Bracket (40-in. length) 2 — "Z" Bracket 1 — Fastener Package Containing 90 No. 10 Screws

LEGEND
RTPF — Round Tube Plate Fin

*Size 040-050 units require two accessory packages.

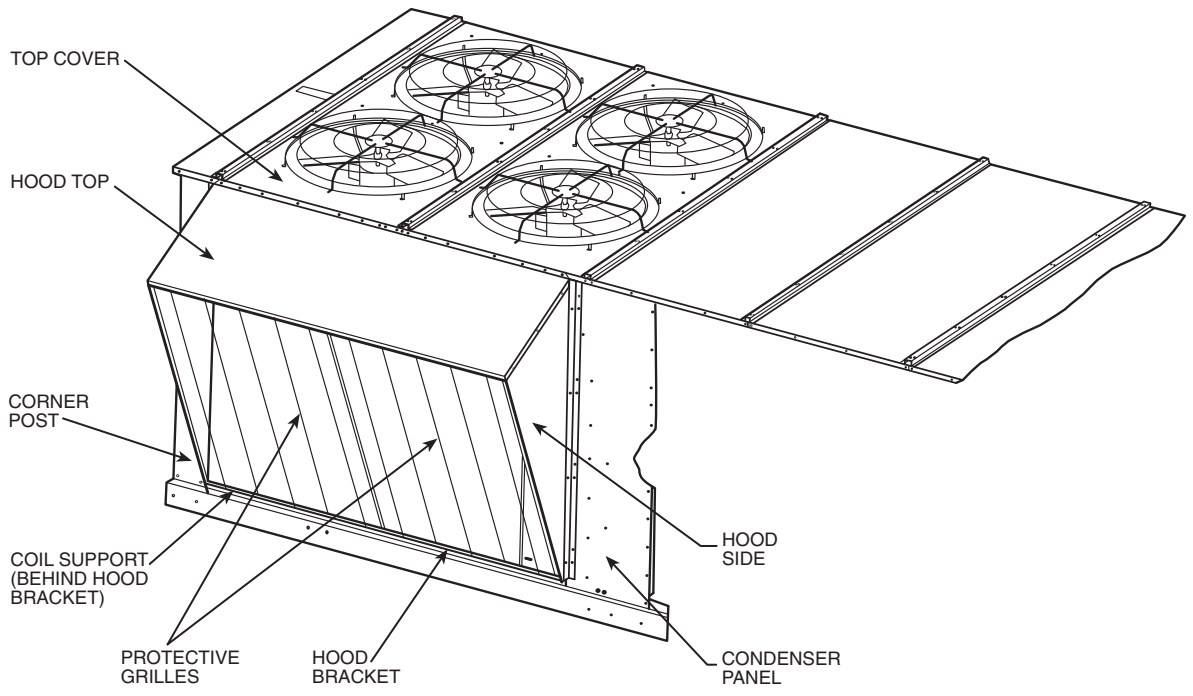
Manufacturer reserves the right to discontinue, or change at any time, specifications or designs without notice and without incurring obligations.



NOTE: All dimensions are in inches.

Fig. 1 — Hail Guard Hood Bracket

5. SIZES 040-050 ONLY:
Attach right and left hand hood sides to the flanges of the corner post and condenser panel using the screws provided. Mounting flange of hood side has 4 clearance holes. When installed properly, flanges of the hood sides should be directed away from the condenser coil. Hood sides should fit inside hood bracket.
 6. Remove screws from the top cover flange.
 7. Attach the hood top to top cover using screws from Step 6. Hood top flange fastened to the top cover of the unit should be directed up, away from the condenser coil.
 8. Use the screws provided to attach hood top to hood sides. Flanges of the hood top should overlap the hood sides. Attach hood sides to hood bracket.
 9. With the hooks of the grilles pointing to the hood bracket and the eyelets pointing toward the hood top, attach the grilles to the hood top and hood bracket using the screws provided.
 10. SIZES 040-050 ONLY:
Repeat Steps 1 through 9 for the remaining hail guard package that is to be installed on the second condenser coil.
- Size 060 Units**
1. Remove hail guard components from packaging.
 2. Align hood brackets (78-in. bracket on the control box end and 40-in. bracket on the bulkhead end) to the bottom of the condenser coil support with the notched flange against coil support. See Fig. 3. Locate the screws that interfere with the attachment of the hood brackets to the coil support. Remove and save screws.
NOTE: The screws which are located within the oval holes of the hood bracket are not to be removed.
 3. Use the screws removed from the coil support (in Step 2) to attach the hood bracket.
 4. Attach right and left hand hood sides to the flanges of the corner post and condenser panel using the screws provided. Mounting flange of the hood side has 4 clearance holes. When installed properly, the flanges of the hood sides should be directed away from the condenser coil. Hood sides should fit inside hood bracket and attach with screws. A hood side is required to join the two tops together. On the economizer side of the unit, use a right hand hood side in the middle. On the other side, use a left hand hood side in the middle. The middle hood side is attached to the top cover flange with a "Z" bracket and screws. The middle hood side is attached to the hood bracket with screws. Attach the "Z" bracket so that the bracket is between the condenser coil and hood side.
 5. Remove screws from the top cover flange.
 6. Attach the hood tops (78-in. and 40-in. long) to top cover using screws from Step 5. Hood top flange fastened to the top cover of the unit should be directed up and away from the condenser coil.
 7. Use the screws provided to attach hood top to hood sides. Flanges of the hood top should overlap hood sides. The 78-in. hood should overlay the middle hood side and the 40-in. hood should butt up to the larger hood top. Fasten the two hood tops into the middle hood side.
 8. With the hooks of the grilles pointing to the hood bracket and the eyelets pointing toward the hood top, attach the grilles to the hood top and hood bracket using screws provided.
 9. Repeat Steps 1 through 8 for the remaining hail guard package that is to be installed on the second condenser coil.



NOTE: Hail guard installation for size 020-035 units is typical of figure above, except hail guard is installed on end of unit, over the condenser coil.

Fig. 2 — Accessory Hail Guard Installed on Unit (48/50A020-050)

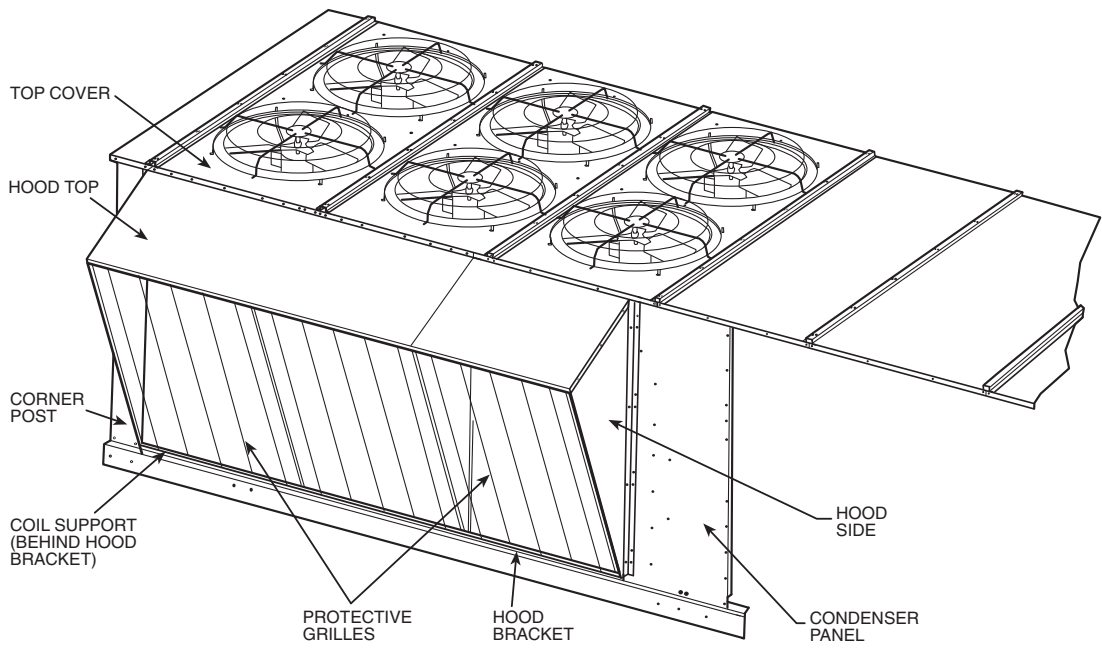


Fig. 3 — Accessory Hail Guard Installed on Unit (48/50A060)

